

AMERICAN AVK BALL CHECK VALVE

**53/FFI
FLxFL**

Flanged x Flanged Ends - Drilled to ASME B16.42 Class 150 - Valve sizes 2" - 16"

Use:

For water and sewage to maximum 160°F.

Tests:

Shell Test: 225 PSI

Seat Test: 150 PSI

Optional Material:

- Hardware 304 stainless steel, 316 stainless steel

Standard Materials:

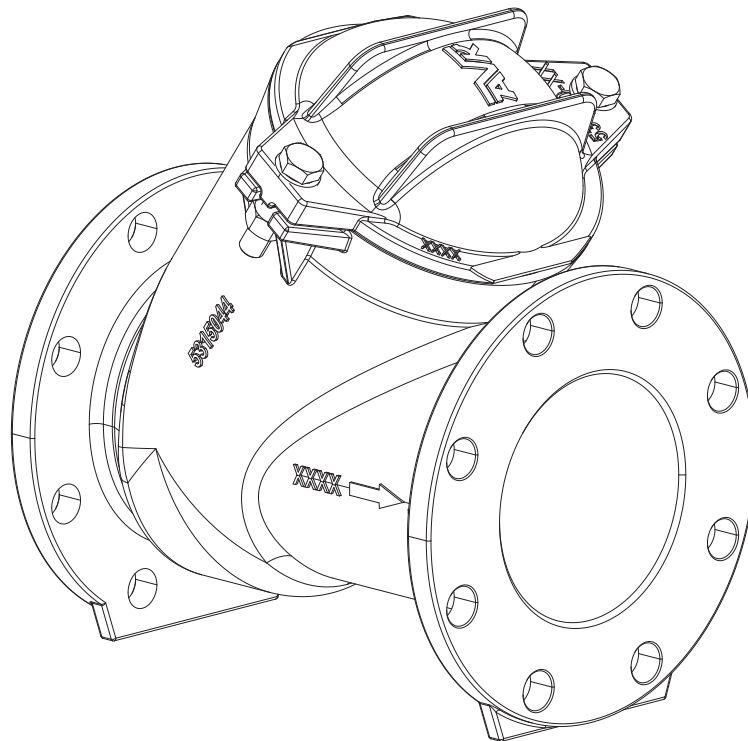
Body, Bonnet, Ductile iron ASTM A536

Coating - FLxFL Fusion Bonded Epoxy
or Black Primer

Ball Aluminum encapsulated with
NBR-rubber compound

Bonnet Bolts, Nuts Zinc Plated Steel

Bonnet Gasket, ASTM D2000 Buna "N" nitrile
rubber



AMERICAN AVK BALL CHECK VALVE

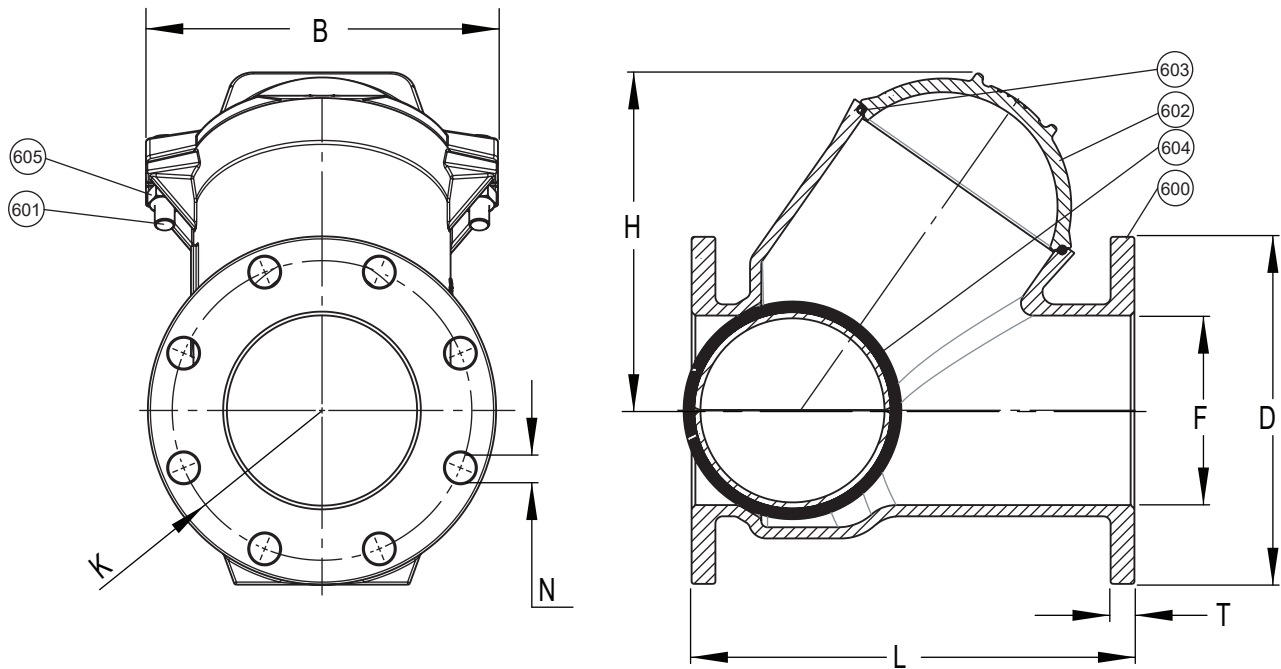
**53/FFI
FLxFL**

Flanged x Flanged Ends - Drilled to ASME B16.42 Class 150 - Valve sizes 2" - 16"

Component List:

- 600. Body
- 601. Bonnet Bolt
- 602. Bonnet
- 603. Bonnet O-ring
- 604. Ball
- 605. Bonnet Nut
- 606. Bonnet Washer**

** Not shown



Ref No.	Size	B	D	F	H	K	L	N	T	Weight (lbs.)
53-050-FFI	2"	5.16"	6.00"	2.00"	3.78"	4.76"	8.00"	0.75"	0.63"	14
53-065-FFI	2.5"	6.46"	7.00"	2.50"	5.08"	5.50"	8.50"	0.75"	0.71"	22
53-080-FFI	3"	7.32"	7.50"	3.15"	5.63"	5.98"	9.50"	0.75"	0.75"	27
53-100-FFI	4"	8.27"	9.00"	4.00"	7.05"	7.52"	11.50"	0.75"	0.75"	44
53-150-FFI	6"	11.10"	11.00"	6.00"	10.67"	9.50"	14.00"	0.87"	0.75"	80
53-200-FFI	8"	10.26"	13.40"	8.00"	13.38"	11.73"	19.50"	0.87"	0.87"	159
53-250-FFI	10"	12.99"	16.00"	10.00"	15.94"	14.25"	24.50"	1.00"	0.94"	256
53-300-FFI	12"	14.76"	19.00"	12.00"	19.50"	17.00"	27.50"	1.00"	1.00"	393
53-350-FFI	14"	22.67"	21.00"	14.00"	24.92"	18.70"	31.00"	1.10"	1.00"	582
53-400-FFI	16"	25.98"	23.50"	16.00"	25.94"	21.26"	36.00"	1.13"	1.00"	851

