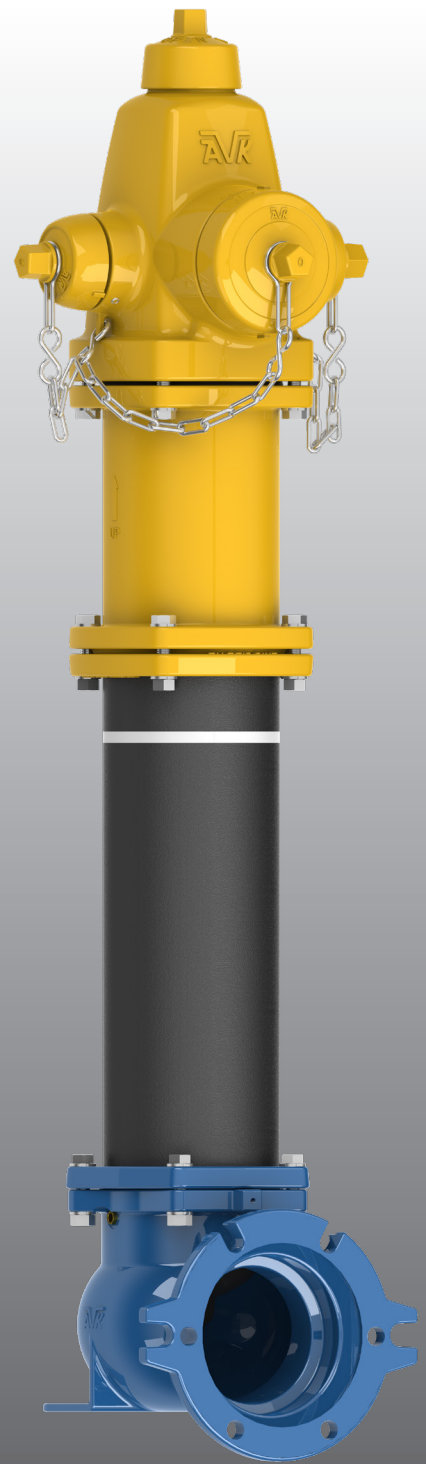


AVK DRY BARREL HYDRANTS



EXPECT  
SUPERIOR  
DESIGN



# EXPECT A HYDRANT CONFIGURATION FOR YOUR APPLICATION



## FUSIBLE HDPE BASE (NOSTALGIC & MODERN HYDRANT)

- Patented HDPE connection is water-tight and high strength — stronger than the pipe itself!
- Available in all common SDR ratings
- Pipe stub complies with AWWA C906

## SINGLE & DUAL PUMPER OUTLETS (NOSTALGIC & MODERN HYDRANT)

- Dual pumper nozzles for maximum flow delivery
- Available in custom sizes and thread configurations, from 3½" to 5"
- Storz connections available

## DUAL OUTLET NOZZLE HYDRANT (NOSTALGIC ONLY)

- For use in rural or low flow applications
- Available in custom 2½" hose outlet sizes and thread configurations

# EXPECT TOTAL SAVINGS

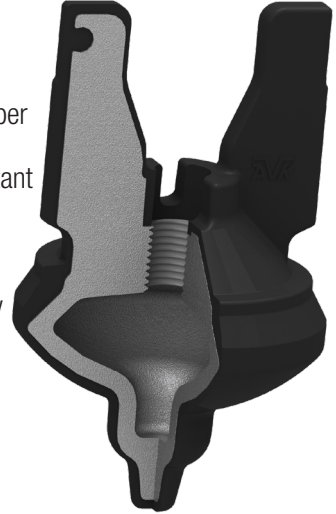


## POST/FLUSHING HYDRANT (SINGLE OUTLET)

- Traffic repair and extension kits available
- 2 1/4" Main valve opening
- Available in custom 2 1/2" hose outlet sizes and thread configurations

## AVK FULLY ENCAPSULATED ONE-PIECE MAIN VALVE

- Patented AVK design — one piece replaces up to 13 pieces
- Ductile iron core fully encapsulated in EPDM rubber
- No exposed metal — completely corrosion resistant
- Easy maintenance
- Cost-effective, labor saving — reduced inventory
- UL/ULC listed and FM approved
- 25 year warranty on One-Piece Main Valve



## INCREASED DEPENDABILITY

- New 5 bolt below ground design for increased dependability and strength on extension kits and shoe assemblies.



## MONITOR ELBOW (SERIES 2700 MODERN)

- 3" and 4" flanges available

## ADDITIONAL PROTECTION

- The AVK TamperGuard lock is a simple and effective means of securing your hydrant against tampering, vandalism and water theft.



## EVERY HYDRANT IS TRACEABLE

- Every AVK hydrant has a unique serial number engraved on the operating nut. This provides us complete traceability to the date the hydrant was built, and to every operation performed throughout our manufacturing process. AVK takes quality seriously, to provide a long-lasting hydrant and deliver total savings to you.



# DRY BARREL HYDRANT SECURITY CHECK VALVE!

The AVK FlowGuard I™ prevents reverse flow through a fire hydrant, stopping intentional distribution system contamination or accidental cross connections. A clear waterway and free swinging disc ensure the valve does not interfere with fire-fighting operations; the check valve is designed for low head loss.

- Clear waterway design for low head-loss
- Can be installed on any 6" mechanical joint hydrant inlet
- EPDM disc for long life in chlorine and chloramines
- Stainless steel bolting to prevent corrosion
- Ductile iron body and bonnet, rated for 250 psi
- Fusion bonded epoxy coating
- Restrained joint between the fire hydrant and the check valve
- Resilient seated for a tight seal — even at low pressures
- Meets or exceeds AWWA C508
- Tested to 1,000,000 cycles
- 10 year warranty







American AVK Company Locations

**American AVK Company**

2155 Meridian Blvd.  
Minden, NV  
89423  
USA

Tel.: 775-552-1400  
Fax.: 775-783-1031  
sales@avkus.com  
www.americanavk.com

F99003/02-15-2023  
Copyright©AVK Group A/S 2023





American AVK Company Locations

**American AVK Company**

2155 Meridian Blvd.  
Minden, NV  
89423  
USA

Tel.: 775-552-1400  
Fax.: 775-783-1031  
sales@avkus.com  
www.americanavk.com

F99002/05-29-2024  
Copyright©AVK Group A/S 2024

