

**AMERICAN AVK RESILIENT SEATED GATE VALVE**  
**250 PSI, Tested to AWWA C515 (NRS)**  
**Flanged Ends to ASME B16.42 Class 150 - Valve Size 30"**

**55/FFN30**  
**FLxFL LONG**

**Use:**  
 For water and neutral liquids to maximum 160°F.

**Tests:**  
 Hydraulic test to AWWA C515:  
 Shell Test: 500 PSI  
 Seat Test: 250 PSI  
 Operating Torque Test

**Optional Materials:**

Stem	Bronze
Bonnet Bolts	Stainless Steel - 316 bolt sealed with hot melt
Gland Bolts, Lifting Eyes	Stainless Steel - 316
<b>Options:</b> Handwheel, Electric Actuator, Bevel Gear, Spur Gear	

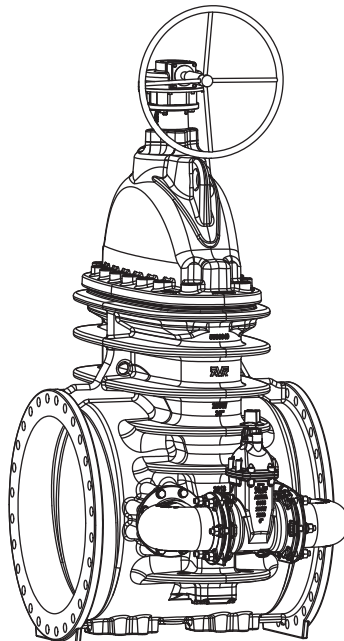
**Approvals:**

Certified to: ANSI/NSF 61, ANSI/NSF 372



**Standard Materials:**

Body, Bonnet, Gland Flange, Elbows	Ductile iron ASTM A536
Coating	Electrostatically applied fusion-bonded epoxy-resin Meets or exceeds AWWA C550
Wrench Nut	Ductile Iron ASTM A536 - painted black for open left, red for open right.
Stem	Standard: Stainless steel ASTM A276
Wedge	Ductile iron ASTM A536 encapsulated with EPDM-rubber compound
Wedge Nut, Thrust Collar	Bronze
Bonnet Bolts, Gland Bolts	Stainless Steel -304 sealed with hot melt
Bonnet Gasket, Wiper Ring, O-Ring Stem Seals, O-Ring Gland Seal	ASTM D2000 Buna "N" nitrile rubber

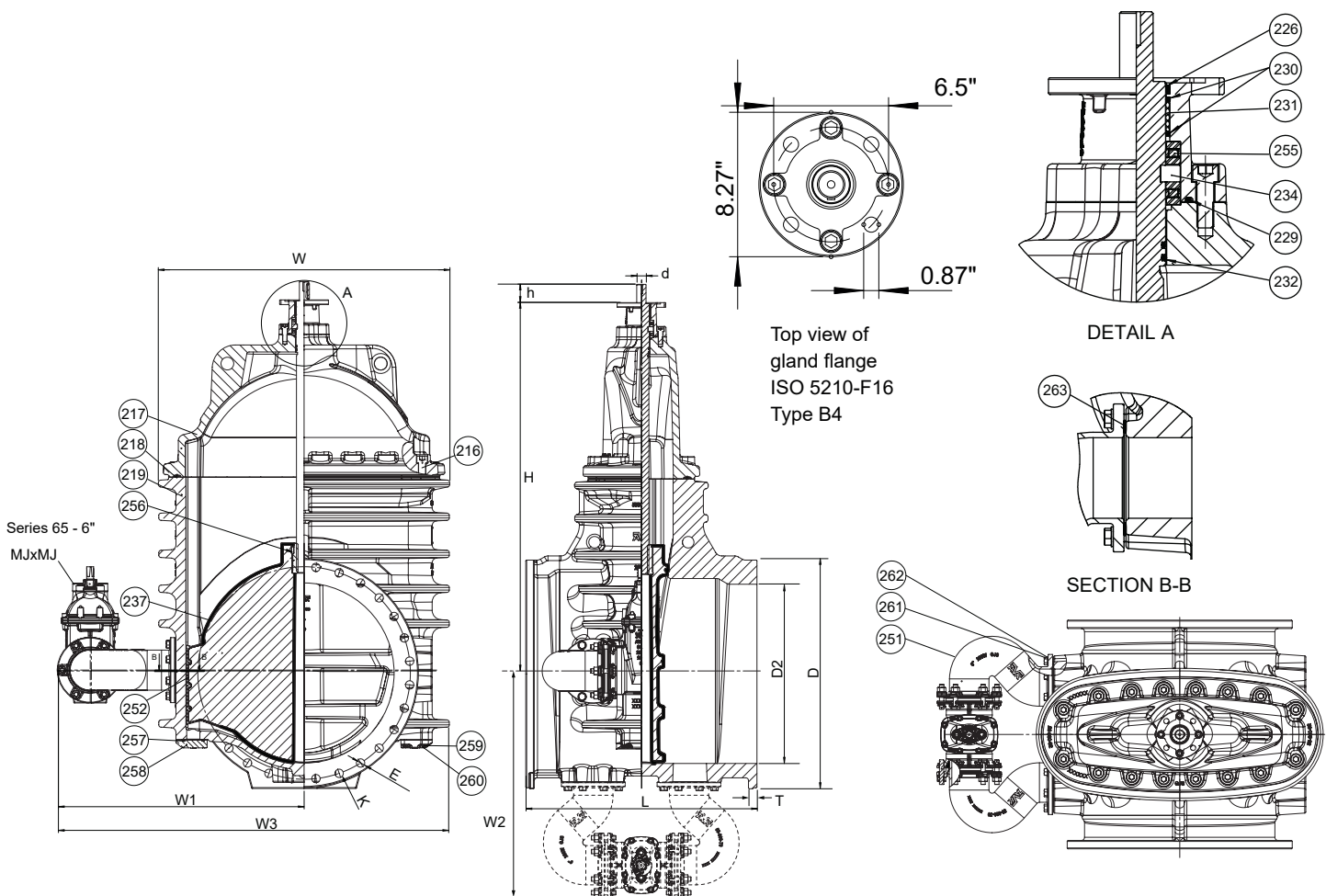


**AMERICAN AVK RESILIENT SEATED GATE VALVE**  
**250 PSI, Tested to AWWA C515 (NRS)**  
**Flanged Ends to ASME B16.42 Class 150 - Valve Size 30"**

**55/FFN30**  
**FLxFL LONG**

**Component List:**

- |                              |                             |                         |
|------------------------------|-----------------------------|-------------------------|
| 216. Bonnet Bolts            | 231. Stem Seal Bushing      | 257. Cover Plate O-ring |
| 217. Bonnet                  | 232. Lower Stem Seal O-Ring | 258. Cover Plate        |
| 218. Bonnet Gasket           | 233. Stem Rod               | 259. Cover Plate Washer |
| 219. Body                    | 234. Thrust Collar          | 260. Cover Plate Bolts  |
| 226. Wiper Ring              | 237. Wedge                  | 261. Elbow Bolt         |
| 227. Gland Flange Bolt       | 251. Elbow                  | 262. Elbow Washer       |
| 228. Gland Flange            | 252. Wedge Shoe             | 263. Elbow Gasket       |
| 229. Gland O-Ring            | 255. Stem Bearing           |                         |
| 230. Upper Stem Seal O-Rings | 256. Wedge Slotted Pin      |                         |



Ref. nos	Size	D	D2	d	E	H	h	K	L	T	W	W1	W2	W3	Flange Holes	Turns to open	Wt. Lbs.
55-800-FFN	30"	38.75"	32.40"	1.60"	1.40"	62.80"	3.10"	36.00"	39.00"	1.47"	49.50"	41.80"	39.12"	66.52"	28	69	5367

Add 205 Lbs. for bypass assembly  
 Add 86 Lbs. for bevel gearing w/ handwheel, add 120 Lbs. for spur gearing w/ handwheel  
 See Bevel & Spur Gearing datasheets for overall dimensions

