

AMERICAN AVK RESILIENT SEATED DUCTILE IRON GATE VALVE
250 PSI, Tested to AWWA C509 (NRS)
NPT threaded ends - Valve sizes 1" through 3"

03/TTN
NPT

Use:
 For water and neutral liquids to maximum 160°F.

Tests:
 Hydraulic test to AWWA C509:
 Shell Test: 500 PSI
 Seat Test: 250 PSI
 Operating Torque Test

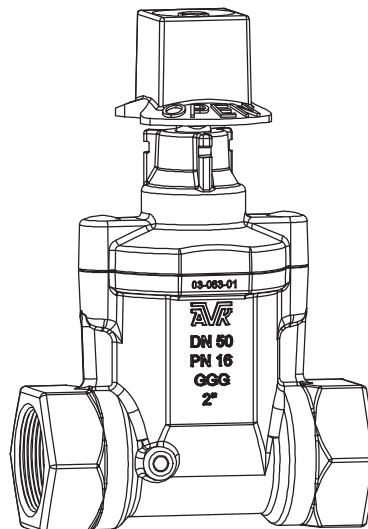
Optional Materials:
 Handwheel

Approvals:
 Certified to:
 NSF/ANSI 61
 NSF/ANSI 372



Standard Materials:

Body, Bonnet, Gland Flange, Wrench Nut	Ductile iron ASTM A536 (Wrench Nut-painted black for open left, red for open right)
Coating	Electrostatically applied fusion- bonded epoxy-resin Meets or exceeds AWWA C550
Stem	Standard: Stainless steel ASTM A582
Wedge	Brass - encapsulated with EPDM-rubber compound
Bonnet Bolts	Stainless Steel - 316 sealed with hot melt
Gland Bolts	Stainless Steel - 316 Hexagon bolt
Bonnet Gasket, Wiper Ring, O-Ring Stem Seals	ASTM D2000 Buna "N" nitrile rubber
Stem Collar	Brass
Stem Seal	Polyamide

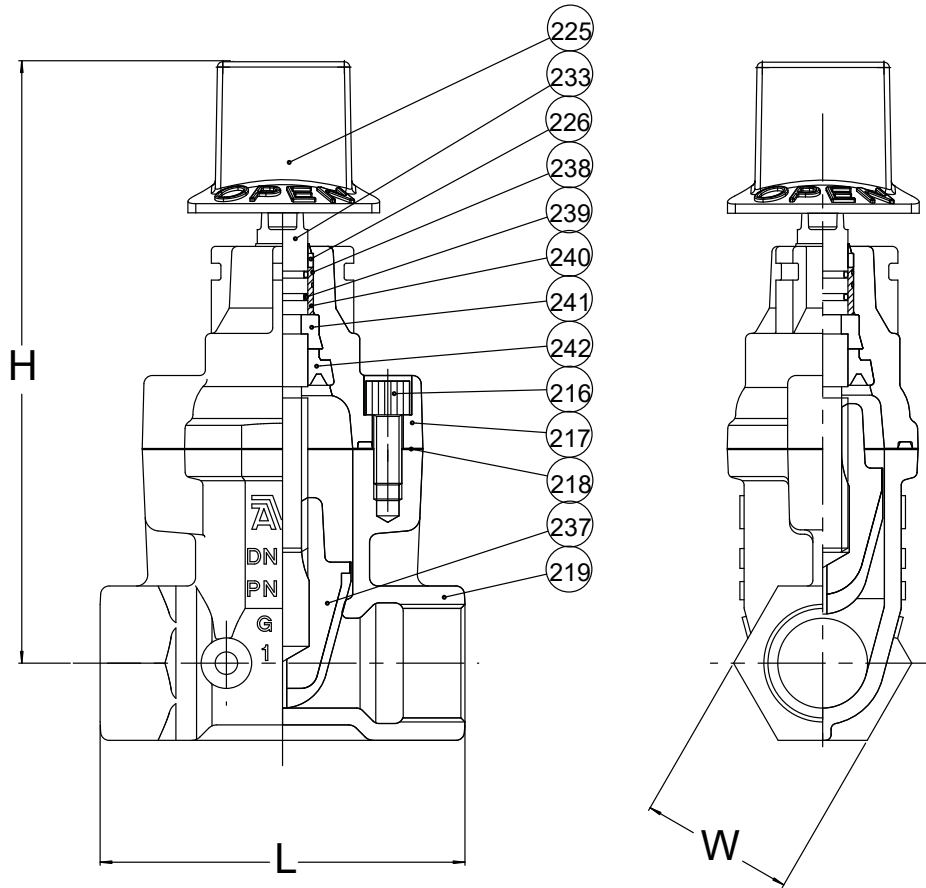


AMERICAN AVK RESILIENT SEATED DUCTILE IRON GATE VALVE
250 PSI, Tested to AWWA C509 (NRS)
NPT threaded ends - Valve sizes 1" through 3"

03/TTN
NPT

Component List:

- | | |
|--------------------|--------------------|
| 216. Bonnet Bolt | 237. Wedge |
| 217. Bonnet | 238. Outer O-rings |
| 218. Bonnet Gasket | 239. Inner O-rings |
| 219. Body | 240. Slide Bearing |
| 225. Wrench Nut | 241. Stem Collar |
| 226. Wiper Ring | 242. Stem Seal |
| 233. Stem | |



Ref No.	Size	H	L	W	Turns to Open	Wt. Lbs.
03-032-TTN	1.00"	8.63"	4.50"	1.81"	7	8
03-040-TTN	1.25"	9.25"	5.13"	2.19"	9	9
03-050-TTN	1.50"	9.83"	6.00"	2.38"	11	14
03-063-TTN	2.00"	10.50"	7.00"	3.00"	13	18
03-075-TTN	2.50"	12.25"	6.69"	3.54"	11	25
03-090-TTN	3.00"	12.09"	7.28"	4.13"	13	32

