

AMERICAN AVK RESILIENT SEATED DUCTILE IRON GATE VALVE

45/PFP-UL

Tested to AWWA C509 / C515 (NRS) for Indicator Post

POxFL PIV

Push-on Joint End (TYTON®) x Flanged End to ANSI B16.1 Class 125 - Valve sizes 4" - 12" & 16"

Use:

For water and neutral liquids to maximum 160°F.

Tests:

Hydraulic test to AWWA C509 & UL 262:

Shell Test: 500 PSI 4"-16"

Seat Test: 375 PSI 4"-12" - 300 PSI -16"

Operating Torque Test

Optional Materials:

Stem For UL, FM, ULC for 4" - 12"
Low Zinc Bronze ASTM B763

Anti Friction Washers Polyamide

Wedge Ductile iron ASTM A536
encapsulated with NBR-rubber
compound

Standard Materials:

Body, Bonnet,
Post Indicator Plate,
Wrench Nut

Ductile iron ASTM A536
(Wrench Nut-painted black for
open left, red for open right)

Coating

Electrostatically applied fusion-
bonded epoxy-resin
Meets or exceeds AWWA C550

Stem

Stainless steel 304, 4"-12"
Aluminum Bronze C63020, 14"-16"

Wedge

Ductile iron ASTM A536
encapsulated with EPDM-rubber
compound

Wedge Nut, Thrust Collar Bronze

Bonnet Bolts Stainless Steel - 316
sealed with hot melt

Gland Bolts Stainless Steel - 316
Hexagon bolt

Bonnet Gasket,
Wiper Ring,
O-Ring Stem Seals,
O-Ring Gland Seal
ASTM D2000 Buna "N" nitrile
rubber

Approvals:

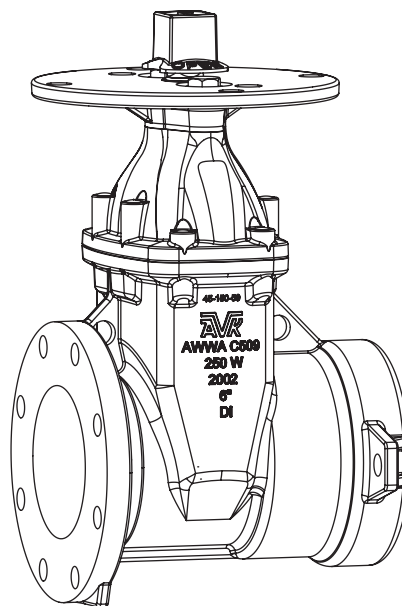


*UL/ULC Listed
*FM Approved
Certified to: ANSI/NSF 61, ANSI/NSF 372

Certified to
NSF/ANSI 61

Certified to
NSF/ANSI 372

* Approved at 250 PSI working pressure, 4"-12"
* Approved at 200 PSI working pressure, 16"



AMERICAN AVK RESILIENT SEATED DUCTILE IRON GATE VALVE

Tested to AWWA C509 / C515 (NRS) for Indicator Post

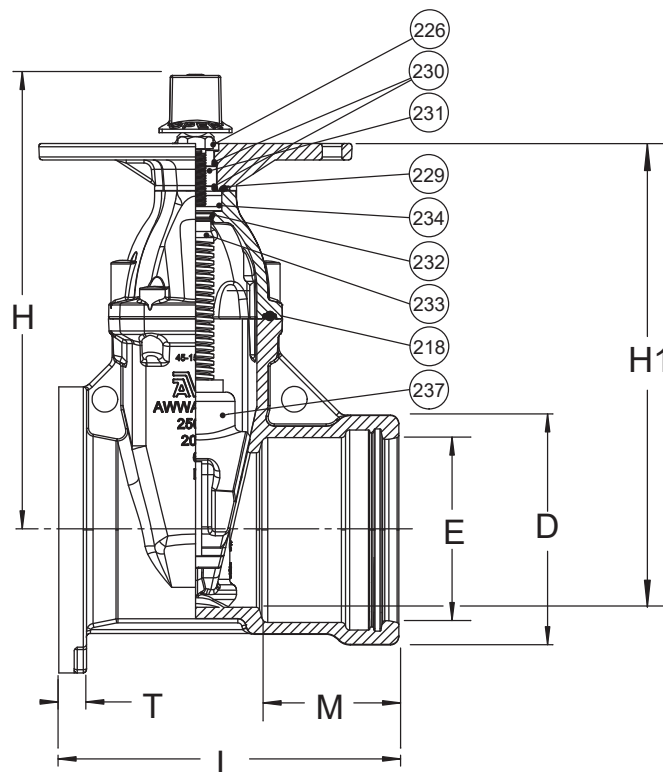
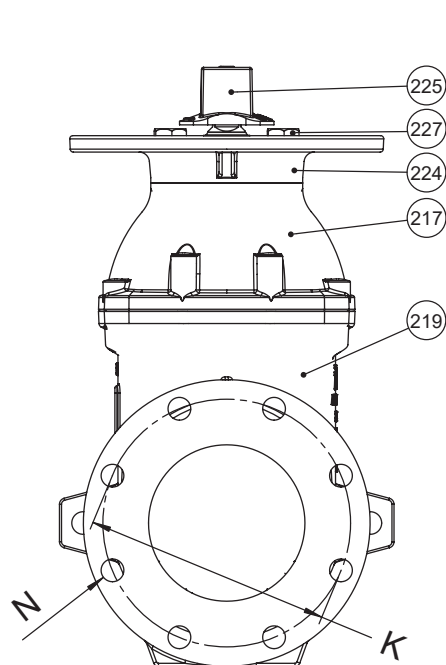
Push-on Joint End (TYTON®) x Flanged End to ASME B16.42 Class 150 - Valve sizes 4" - 12" & 16"

45/PFP-UL

POxFL PIV

Component List:

- | | | |
|---------------------------|------------------------------|-----------------------------|
| 217. Bonnet | 226. Wiper Ring | 232. Lower Stem Seal O-Ring |
| 218. Bonnet Gasket | 227. Gland Flange Bolt | 233. NRS Stem |
| 219. Body | 229. Gland O-Ring | 234. Thrust Collar |
| 224. Post Indicator Plate | 230. Upper Stem Seal O-Rings | 237. Wedge |
| 225. Wrench Nut | 231. Stem Seal Bushing | |



Ref No.	Size	D	E	H	H1	K	L	M	N	T	Holes	Flange to Open	Turns (lbs.)	Weight
45-100-PFP	4"	6.66"	4.93"	13.50"	13.00"	7.50"	10.51"	4.12"	0.75"	1.00"	8	14	95	
45-150-PFP	6"	8.84"	7.03"	17.50"	18.00"	9.50"	13.07"	5.22"	0.88"	1.06"	8	21	134	
45-200-PFP	8"	11.23"	9.18"	21.50"	23.00"	11.75"	14.33"	5.63"	0.88"	1.14"	8	26	190	
45-250-PFP	10"	13.50"	11.22"	24.75"	27.00"	14.25"	15.31"	5.63"	1.00"	1.22"	12	32	268	
45-300-PFP	12"	15.74"	13.32"	27.75"	31.00"	17.00"	16.61"	5.63"	1.00"	1.30"	12	38	394	
45-400-PFP	16"	20.62"	17.51"	35.47"	42.00"	21.25"	19.35"	5.00"	1.13"	1.44"	12	54	836	

