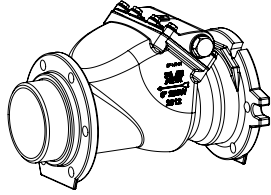
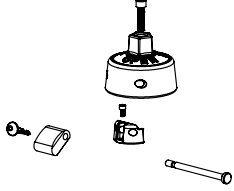
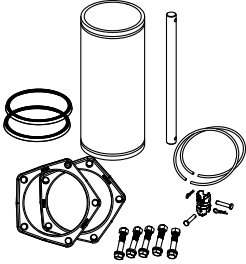
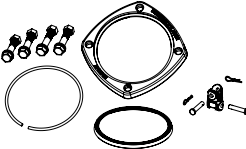
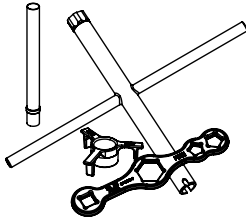
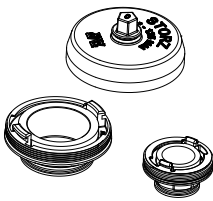
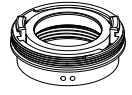


Type	AVK Ref. #	Size	Weight kg	Weight lb	Price US \$																		
<p><b>Series 27 FlowGuard I™ Dry Barrel Hydrant Check Valve</b></p> 	<p>27-150-C9</p>	<p>For all AVK dry barrel hydrants</p>	<p>51</p>	<p>112</p>	<p>2,650</p>																		
<p>For 316 Stainless Steel Bolts add \$161</p>																							
<p><b>Use check valve parts discount</b></p>																							
<p><b>Series 27 Dry Barrel Hydrant Options</b></p>	<table border="1"> <tr> <td>For 8" MJ shoe less accessories</td> <td>add 250</td> </tr> <tr> <td>For Straight Inlet</td> <td>add 350</td> </tr> <tr> <td>For 4" PE Inlet</td> <td>add 451</td> </tr> <tr> <td>For 6" PE Inlet</td> <td>add 451</td> </tr> <tr> <td>For 6" HYMAX GRIP® Inlet</td> <td>add 300</td> </tr> <tr> <td>Handwheel Kit</td> <td>add 401</td> </tr> <tr> <td>For Integral Storz Connection 2.5"</td> <td>add 601</td> </tr> <tr> <td>For Integral Storz Connection 4"</td> <td>add 740</td> </tr> <tr> <td>For Integral Storz Connection 5"</td> <td>add 821</td> </tr> </table>					For 8" MJ shoe less accessories	add 250	For Straight Inlet	add 350	For 4" PE Inlet	add 451	For 6" PE Inlet	add 451	For 6" HYMAX GRIP® Inlet	add 300	Handwheel Kit	add 401	For Integral Storz Connection 2.5"	add 601	For Integral Storz Connection 4"	add 740	For Integral Storz Connection 5"	add 821
For 8" MJ shoe less accessories	add 250																						
For Straight Inlet	add 350																						
For 4" PE Inlet	add 451																						
For 6" PE Inlet	add 451																						
For 6" HYMAX GRIP® Inlet	add 300																						
Handwheel Kit	add 401																						
For Integral Storz Connection 2.5"	add 601																						
For Integral Storz Connection 4"	add 740																						
For Integral Storz Connection 5"	add 821																						
<p><b>Series 27 Tamper Guard</b></p> 	<table border="1"> <tr> <td>27-000-47X</td> <td>Tamper Guard w/o Lock</td> <td>221</td> </tr> <tr> <td>27-000-47X</td> <td>Tamper Guard with Lock</td> <td>261</td> </tr> </table> <p><b>Use fire hydrant parts discount</b></p>					27-000-47X	Tamper Guard w/o Lock	221	27-000-47X	Tamper Guard with Lock	261												
27-000-47X	Tamper Guard w/o Lock	221																					
27-000-47X	Tamper Guard with Lock	261																					
Empty section for future content																							

Type	AVK Ref. #	Size	Weight		Price																																																							
			kg	lb	US \$																																																							
<p><b>Series 27 Extension Kits</b></p> 	27-150-E001-106-00	6"	9	20	620																																																							
	27-150-E011-106-00	12"	18	40	730																																																							
	27-150-E021-106-00	18"	27	60	826																																																							
	27-150-E031-106-00	24"	36	80	929																																																							
	27-150-E041-106-00	30'	45	100	1,332																																																							
	27-150-E051-106-00	36"	55	120	1,456																																																							
	27-150-E061-106-00	42"	64	140	1,589																																																							
	27-150-E071-106-00	48'	73	160	1,779																																																							
	27-150-E081-106-00	54"	82	180	1,876																																																							
	27-150-E091-106-00	60"	91	100	1,910																																																							
	<p>All extension kits are shipped with 304 Stainless Steel Stem.                      For 304 Stainless Steel Bolts add \$41                      For 316 Stainless Steel Bolts add \$81                      For 6" extensions over 60", add \$110  <b>Use fire hydrant parts discount</b></p>																																																											
<p><b>Series 27 Traffic Repair Kits</b></p> 	F33		11	24	327																																																							
<p>The Traffic Repair Kits come standard with a primer coating. A \$200 adder will be charged for specified colors. Part numbers above include zinc plated bolts. Other bolts available for additional charge.                      For 304 Stainless Steel Bolts add \$41                      For 316 Stainless Steel Bolts add \$81  <b>Use fire hydrant parts discount</b></p>																																																												
<p><b>Series 27 Hydrants Tools</b></p> 	F99110	Seat Wrench	6		251																																																							
F99111	Seat Wrench Centering Tool	2			101																																																							
F99112	Operating Wrench	5			101																																																							
F99114	Oil Sleeve	1			161																																																							
<p><b>Use fire hydrant parts discount</b></p>																																																												
<p><b>Series 27 Bolting / Stem Options</b></p>	<table border="1"> <tr> <td colspan="5" data-bbox="573 1356 1544 1409"><b>Bolting Below Ground</b></td> </tr> <tr> <td data-bbox="573 1409 1544 1472">304 Grade Stainless Steel</td> <td data-bbox="573 1409 1544 1472"></td> <td data-bbox="573 1409 1544 1472"></td> <td data-bbox="573 1409 1544 1472"></td> <td data-bbox="573 1409 1544 1472">Standard</td> </tr> <tr> <td data-bbox="573 1472 1544 1503">316 Grade Stainless Steel</td> <td data-bbox="573 1472 1544 1503"></td> <td data-bbox="573 1472 1544 1503"></td> <td data-bbox="573 1472 1544 1503"></td> <td data-bbox="573 1472 1544 1503">add 300</td> </tr> <tr> <td colspan="5" data-bbox="573 1503 1544 1535"><b>Bolting Above Ground</b></td> </tr> <tr> <td data-bbox="573 1535 1544 1566">304 Grade Stainless Steel</td> <td data-bbox="573 1535 1544 1566"></td> <td data-bbox="573 1535 1544 1566"></td> <td data-bbox="573 1535 1544 1566"></td> <td data-bbox="573 1535 1544 1566">add 120</td> </tr> <tr> <td data-bbox="573 1566 1544 1598">316 Grade Stainless Steel</td> <td data-bbox="573 1566 1544 1598"></td> <td data-bbox="573 1566 1544 1598"></td> <td data-bbox="573 1566 1544 1598"></td> <td data-bbox="573 1566 1544 1598">add 170</td> </tr> <tr> <td colspan="5" data-bbox="573 1598 1544 1629"><b>Upper Stem</b></td> </tr> <tr> <td data-bbox="573 1629 1544 1661">316 Grade Stainless Steel</td> <td data-bbox="573 1629 1544 1661"></td> <td data-bbox="573 1629 1544 1661"></td> <td data-bbox="573 1629 1544 1661"></td> <td data-bbox="573 1629 1544 1661">add 140</td> </tr> <tr> <td colspan="5" data-bbox="573 1661 1544 1692"><b>Lower Stem</b></td> </tr> <tr> <td data-bbox="573 1692 1544 1724">304 Grade Stainless Steel</td> <td data-bbox="573 1692 1544 1724"></td> <td data-bbox="573 1692 1544 1724"></td> <td data-bbox="573 1692 1544 1724"></td> <td data-bbox="573 1692 1544 1724">add 50 per 6" increment</td> </tr> <tr> <td data-bbox="573 1724 1544 1755">316 Grade Stainless Steel</td> <td data-bbox="573 1724 1544 1755"></td> <td data-bbox="573 1724 1544 1755"></td> <td data-bbox="573 1724 1544 1755"></td> <td data-bbox="573 1724 1544 1755">add 70 per 6" increment</td> </tr> </table>					<b>Bolting Below Ground</b>					304 Grade Stainless Steel				Standard	316 Grade Stainless Steel				add 300	<b>Bolting Above Ground</b>					304 Grade Stainless Steel				add 120	316 Grade Stainless Steel				add 170	<b>Upper Stem</b>					316 Grade Stainless Steel				add 140	<b>Lower Stem</b>					304 Grade Stainless Steel				add 50 per 6" increment	316 Grade Stainless Steel				add 70 per 6" increment
<b>Bolting Below Ground</b>																																																												
304 Grade Stainless Steel				Standard																																																								
316 Grade Stainless Steel				add 300																																																								
<b>Bolting Above Ground</b>																																																												
304 Grade Stainless Steel				add 120																																																								
316 Grade Stainless Steel				add 170																																																								
<b>Upper Stem</b>																																																												
316 Grade Stainless Steel				add 140																																																								
<b>Lower Stem</b>																																																												
304 Grade Stainless Steel				add 50 per 6" increment																																																								
316 Grade Stainless Steel				add 70 per 6" increment																																																								

Type	AVK Ref. #	Size	Weight		Price US \$
			kg	lb	
<b>Series 27</b> Copper Alloy/ Cast Iron Storz Nozzles & Caps 					
		2.5"			181
		4"			241
		5"			241
<b>Use fire hydrant parts discount</b>					

Type	AVK Ref. #	Size	Weight		Price US \$
			kg	lb	
<b>Series 27</b> Storz Adaptors 					
		4" Nozzle to 4" Storz			241
		4.5" Nozzle to 4" Storz			241
		4" Nozzle to 5" Storz			241
		4.5" Nozzle to 5" Storz			241
<b>Use fire hydrant parts discount</b>					

Type	AVK Ref. #	Size	Weight		Price US \$
			kg	lb	
<b>Optional PUR</b> (Polyurethane) Exterior Coating Below Ground Only					
		Bury Depth			
		3' or less			add 660
		3.5'			add 770
		4'			add 880
		4.5'			add 990
		5'			add 1,100
		5.5'			add 1,210
		6'			add 1,320
		6.5'			add 1,430
		7'			add 1,540
		7.5'			add 1,650
		8'			add 1,760
	8.5'			add 1,870	
	9'			add 1,980	
	9.5'			add 2,090	
	10'			add 2,200	
Note: Add \$110 per 6-inch increment for bury depths greater than 10 feet					

Type	AVK Ref. #	Size	Weight		Price US \$
			kg	lb	
<b>Epoxy Coating</b> Interior Below Ground Only					
		Bury Depth			
		3' or less			add 660
		3.5'			add 770
		4'			add 880
		4.5'			add 990
		5'			add 1,100
		5.5'			add 1,210
		6'			add 1,320
		6.5'			add 1,430
		7'			add 1,540
		7.5'			add 1,650
		8'			add 1,760
	8.5'			add 1,870	
	9'			add 1,980	
	9.5'			add 2,090	
	10'			add 2,200	
Note: Add \$110 per 6-inch increment for bury depths greater than 10 feet					