

**AMERICAN AVK RESILIENT SEATED GATE VALVE**  
**250 PSI, Tested to AWWA C515 (NRS)**  
**Mechanical Joint Ends to AWWA C111 - Valve Size 36"**

**55/MMN36**  
**MJxMJ**

**Use:**  
 For water and neutral liquids to maximum 160°F.

**Tests:**  
 Hydraulic test to AWWA C515:  
 Shell Test: 500 PSI  
 Seat Test: 250 PSI  
 Operating Torque Test

**Optional Materials:**

|              |  |
|--------------|--|
| Stem         | Bronze   |
| Bonnet Bolts | Stainless Steel - 316<br>bolt sealed with hot melt |
| Gland Bolts, | Stainless Steel - 316                              |

**Options:**  
 Handwheel, Electric Actuator, Bevel Gear, Spur Gear

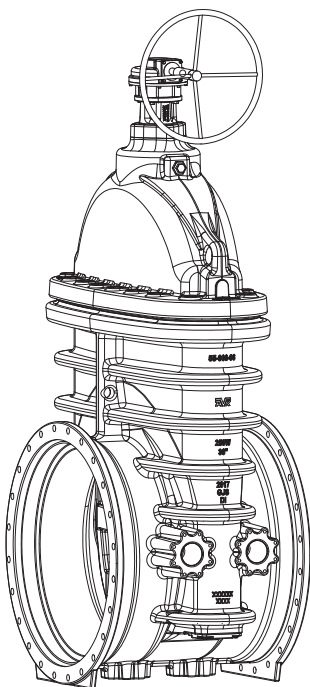
**Approvals:**

Certified to: ANSI/NSF 61, ANSI/NSF 372



**Standard Materials:**

|   |   |
|---|---|
| Body, Bonnet, Gland Flange                                      | Ductile iron ASTM A536  |
| Coating   | Electrostatically applied fusion-bonded epoxy-resin<br>Meets or exceeds AWWA C550 |
| Stem  | Standard: Stainless steel ASTM A276   |
| Wedge   | Ductile iron ASTM A536<br>encapsulated with EPDM-rubber compound                  |
| Wedge Nut, Thrust Collar  | Bronze  |
| Bonnet Bolts, Gland Bolts                                       | Stainless Steel -304 sealed with hot melt   |
| Bonnet Gasket, Wiper Ring, O-Ring Stem Seals, O-Ring Gland Seal | ASTM D2000 Buna "N" nitrile rubber  |

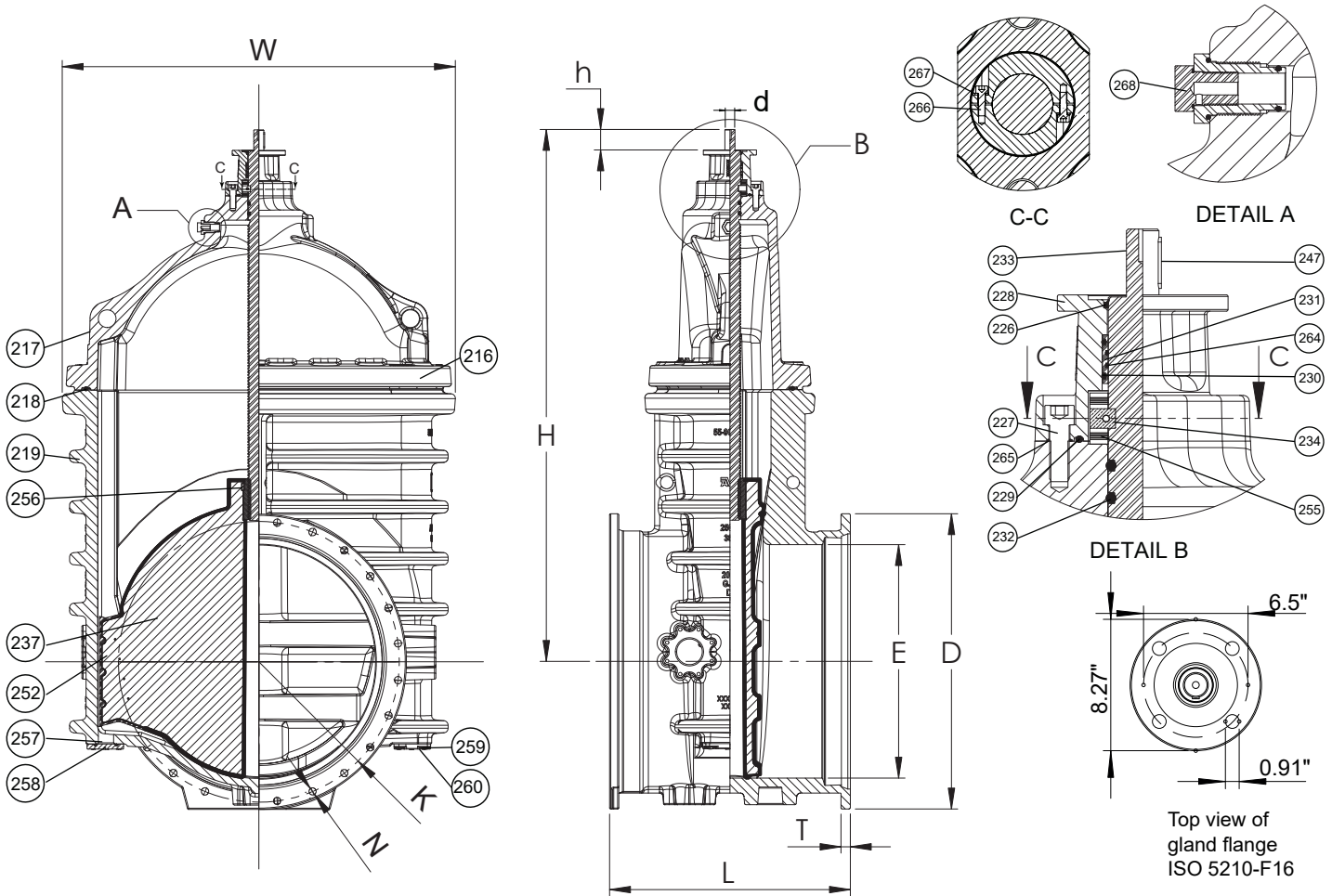


**AMERICAN AVK RESILIENT SEATED GATE VALVE**  
**250 PSI, Tested to AWWA C515 (NRS)**  
**Mechanical Joint Ends to AWWA C111 - Valve Size 36"**

**55/MMN36**  
**MJxMJ**

Component List:

- |                              |                             |  |
|------------------------------|-----------------------------|--|
| 216. Bonnet Bolts            | 231. Stem Seal Bushing      | 257. Cover Plate O-ring                            |
| 217. Bonnet                  | 232. Lower Stem Seal O-Ring | 258. Cover Plate                                   |
| 218. Bonnet Gasket           | 233. Stem Rod               | 259. Cover Plate Washer                            |
| 219. Body                    | 234. Thrust Collar          | 260. Cover Plate Bolt                              |
| 226. Wiper Ring              | 237. Wedge                  | 264. Upper Stem Seal O-Rings<br>( 36 Inch Valves ) |
| 227. Gland Flange Bolt       | 247. Key                    | 265. Gland Bolt O-ring                             |
| 228. Gland Flange            | 252. Shoe                   | 266. Thrust Collar Bolt                            |
| 229. Gland O-Ring            | 255. Stem Bearing           | 267. Thrust Collar Washer                          |
| 230. Upper Stem Seal O-Rings | 256. Wedge Slotted Pin      | 268. Air Bleeder Fittings                          |



| Ref. nos   | Size | D      | E      | d     | H      | h     | K      | L      | N     | T     | W      | FL-Holes<br>MJ/FL | Turns<br>to open | Wt.<br>Lbs. |
|------------|------|--------|--------|-------|--------|-------|--------|--------|-------|-------|--------|-------------------|------------------|-------------|
| 55-900-MMN | 36"  | 46.00" | 36.37" | 2.00" | 79.70" | 4.00" | 43.75" | 33.75" | 1.13" | 1.45" | 61.34" | 24                | 86               | 8472        |

Add 86 Lbs. for bevel gearing w/ handwheel, add 120 Lbs. for spur gearing w/ handwheel  
 See Bevel & Spur Gearing datasheets for overall dimensions

