

**VK CONCENTRIC BUTTERFLY VALVE, MANUALLY ACTUATED
WITH VULCANIZED LINER, CLASS 150B - ABOVE GROUND**
Wafer Ends - Valve Sizes 3" - 8"

**816/BFV/LVR
WAF**

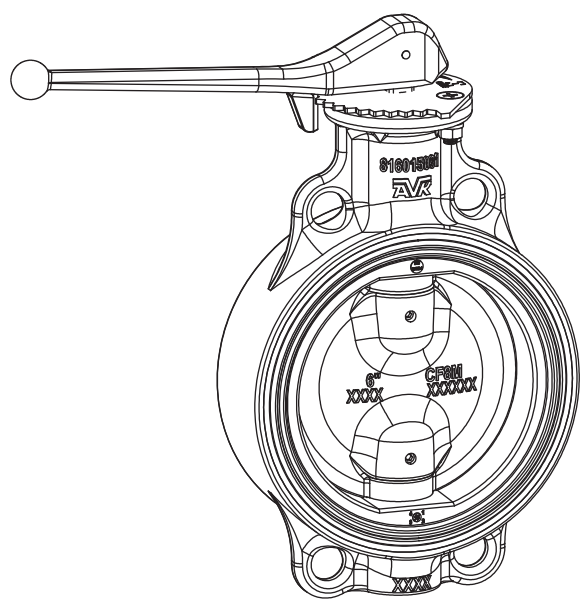
Use:
For water to maximum 160°F.

Tests:
Hydraulic tests to AWWA C504:
150B
Shell Test: 300 PSI
Seat Test: 150 PSI

Approvals:
Certified to: ANSI/NSF 61, ANSI/NSF 372



Standard Materials:	
Body	Ductile iron ASTM A536 with vulcanized EPDM liner
Lever	Ductile iron ASTM A536
Lever Plate	Mild Steel
Coating	Two Component, High Solids Epoxy
Stems	Standard: 17-4PH Stainless steel ASTM A564
Bushings	Copper alloy ASTM B505
Disc	Ductile iron ASTM A536 with Ni-Cu seat
Mounting hardware, Set Screw	Stainless steel
O-rings	ASTM D2000 Buna "N" nitrile rubber



AVK CONCENTRIC BUTTERFLY VALVE, MANUALLY ACTUATED WITH VULCANIZED LINER, CLASS 150B - ABOVE GROUND

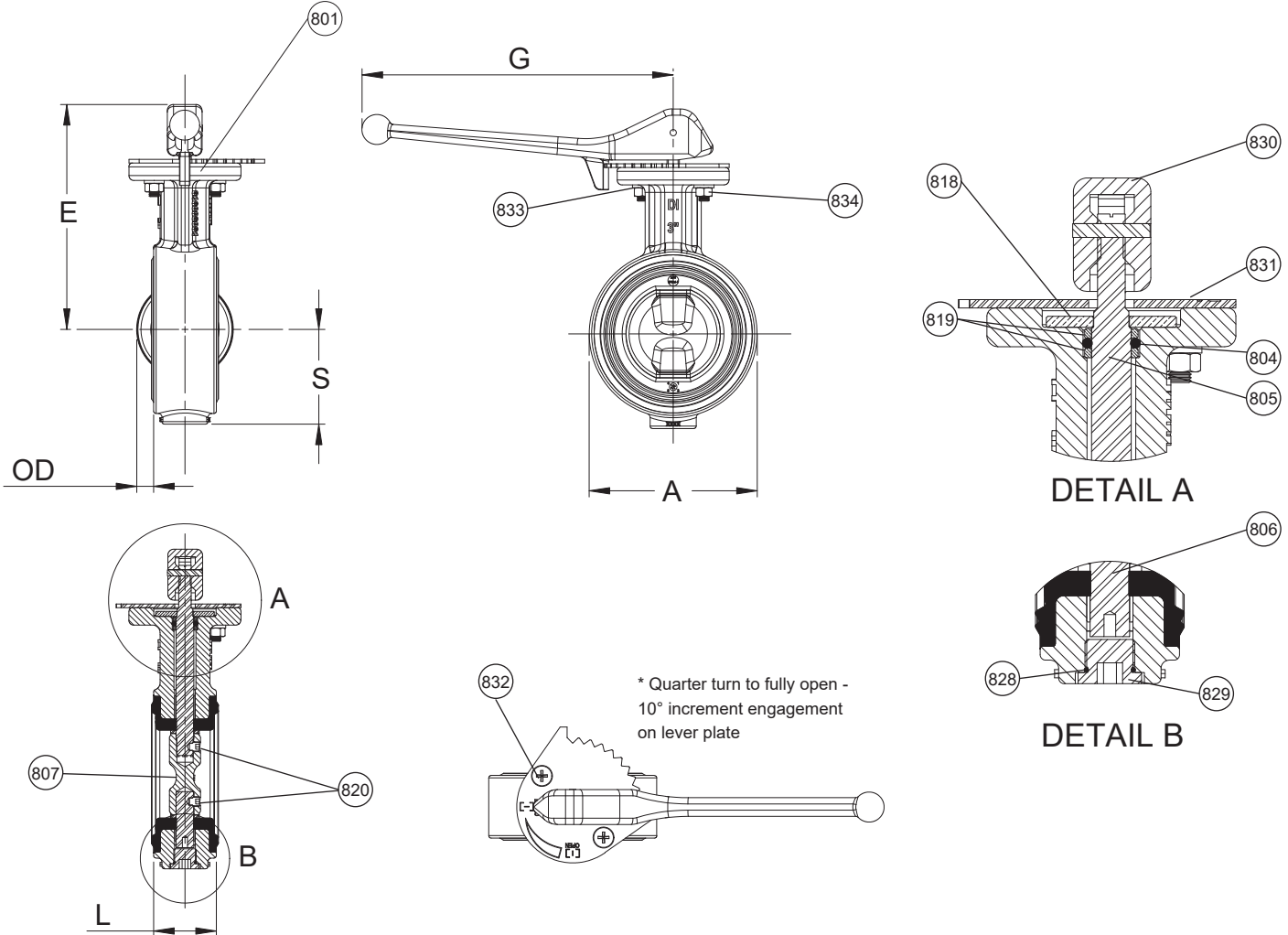
**816/BFV/LVR
WAF**

Wafer Ends - Valve Sizes 3" - 8"

Component List:

801. Body	807. Disc	820. Stem-Disc Screws	831. Lever Plate
804. Upper Shaft O-ring	817. Stem Plate Screw	828. Stem Plug O-ring	832. Lever Plate Screw*
805. Drive Shaft	818. Stem Plate	829. Stem Plug	833. Lever Plate Washer
806. Stub Shaft	819. O-ring Bushing	830. Lever Assembly	834. Lever Plate Nut

*Not Shown



Ref No.	Size	A	G	L	S	ØOD	TURNS TO OPEN	NO. OF HOLES/SIZE	SHPG. WT. LBS.
816-080-WAF-LVR	3"	5.31"	9.84"	2.12"	3.75"	0.47	*	NA	10
816-100-WAF-LVR	4"	6.42"	9.84"	2.37"	4.50"	0.84	*	NA	16
816-150-WAF-LVR	6"	8.27"	9.84"	2.93"	5.50"	1.56"	*	4/0.88"	27
816-200-WAF-LVR	8"	10.51"	9.84"	3.06"	6.75"	2.50"	*	4/0.88"	40

* Quarter turn to fully open - 10° increment engagement on lever plate

