

# AVK CONCENTRIC BUTTERFLY VALVE, ROTORK ACTUATION, 816/BFV/ROT/GB WITH VULCANIZED LINER, CLASS 250B - ABOVE GROUND

Wafer Ends - Valve Sizes 3" - 20"

WAF

**Use:**

For water to maximum 160°F.

**Tests:**

Hydraulic tests to AWWA C504:

250B

Shell Test: 500 PSI

Seat Test: 250 PSI

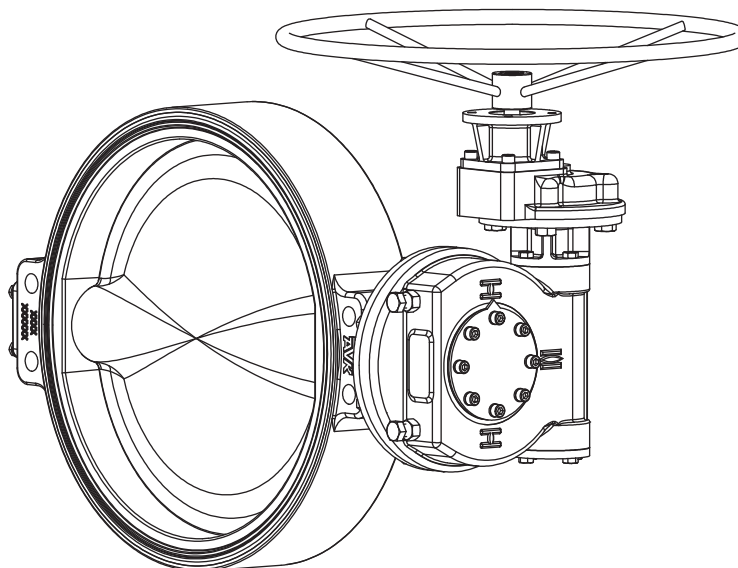
**Standard Materials:**

Body	Ductile iron ASTM A536 with vulcanized EPDM liner
Coating	Two Component, High Solids Epoxy
Stems	Standard: 17-4PH Stainless steel ASTM A564
Bushings	Copper alloy ASTM B505
Disc ( * )	Ductile iron ASTM A536 with Ni-Cu seat
Mounting hardware, Set Screw	Stainless steel
O-rings	ASTM D2000 Buna "N" nitrile rubber

( \* ) 3"-4" disc material is CF8M 316 stainless steel

**Approvals:**

Certified to: ANSI/NSF 61, ANSI/NSF 372



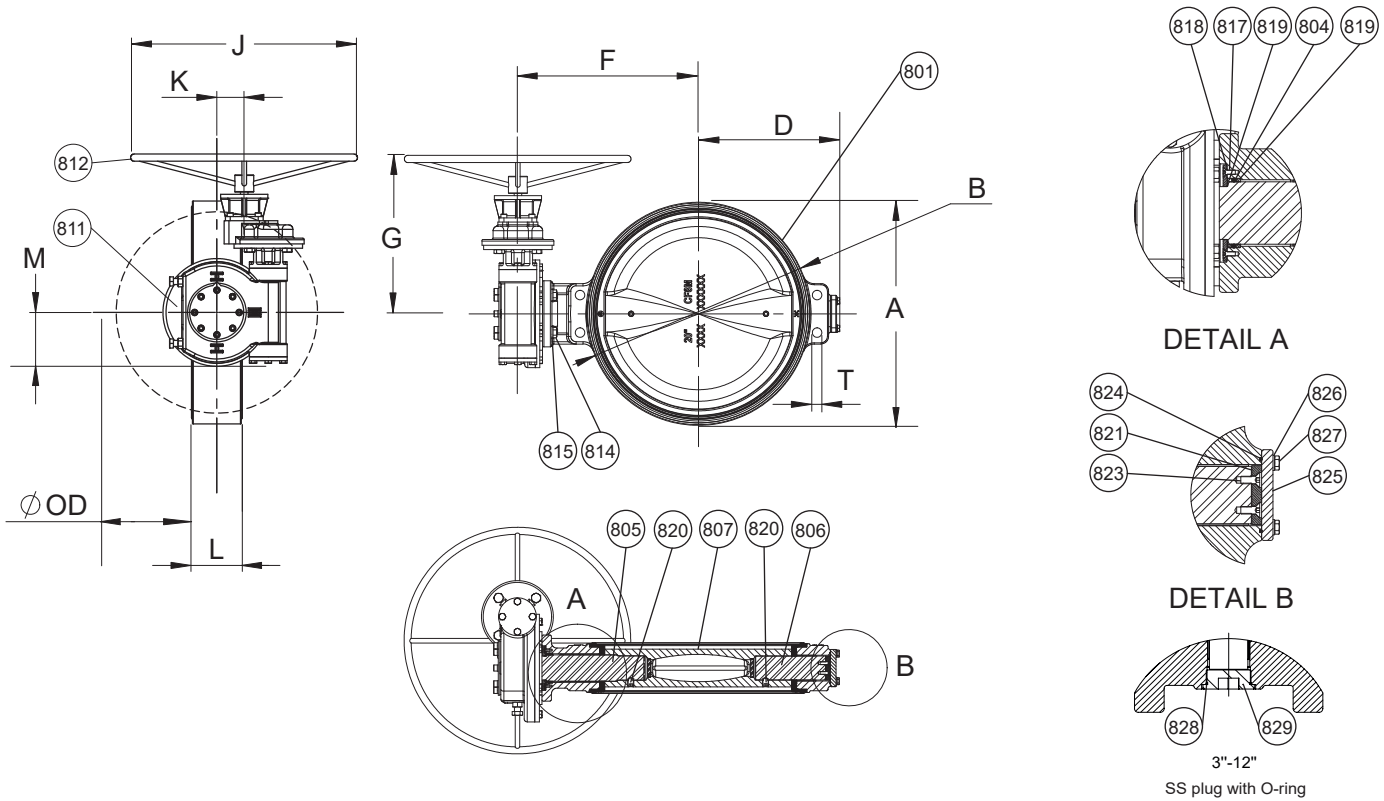
# AVK CONCENTRIC BUTTERFLY VALVE, ROTORK ACTUATION, 816/BFV/ROT/GB WITH VULCANIZED LINER, CLASS 250B - ABOVE GROUND WAF

## Wafer Ends - Valve Sizes 3" - 20"

**Component List:**

- |                         |                                  |                                 |                        |
|-------------------------|----------------------------------|---------------------------------|------------------------|
| 801. Body               | 811. Gearbox                     | 818. Stem Plate                 | 825. End Plate         |
| 804. Upper Shaft O-ring | 812. Hand Wheel                  | 819. O-ring Retainer            | 826. End Plate Washers |
| 805. Drive Shaft        | 814. Gearbox Bolt                | 820. Stem-Disc Screws           | 827. End Plate Bolts   |
| 806. Stub Shaft         | 815. Gearbox Washer              | 821. Axial Bearing              | 828. Stem Plug O-ring  |
| 807. Disc               | 816. Hand Wheel Set Screw*       | 822. Bearing Adjustment Screws* | 829. Stem Plug         |
| 810. Gearbox Key*       | 817. Stem Plate Retaining Screws | 824. End Plate O-ring           |                        |

\* Not shown



Ref No.	Size	A	B	D	F	G	J	K	L	M	T	ØOD	URNS	SHPG.
													TO OPEN	WT. LBS.
816-080-WAF-RGB	3"	5.31"	2.20"	3.75"	6.86"	7.91"	7.87"	2.80"	2.12"	6.73"	NA	0.47"	9/9	32
816-100-WAF-RGB	4"	6.42"	3.29"	4.50"	7.38"	7.91"	7.87"	2.80"	2.37"	6.73"	NA	0.84"	9/9	38
816-150-WAF-RGB	6"	8.27"	5.30"	5.50"	8.66"	7.91"	7.87"	2.80"	2.93"	6.73"	0.88"	1.56"	9/9	49
816-200-WAF-RGB	8"	10.51"	7.46"	6.75"	9.69"	10.35"	7.87"	3.38"	3.06"	6.73"	0.88"	2.50"	10/10	75
816-250-WAF-RGB	10"	12.75"	9.51"	8.00"	11.30"	10.35"	11.81"	3.38"	3.24"	6.73"	1.00"	3.40"	10/10	101
816-300-WAF-RGB	12"	14.76"	11.53"	9.50"	12.29"	10.35"	11.81"	3.38"	3.53"	6.73"	1.00"	4.27"	10/10	114
816-350-WAF-RGB	14"	17.36"	13.48"	10.70"	14.02"	11.73"	15.75"	3.38"	3.95"	6.73"	1.13"	5.05"	10/10	157
816-400-WAF-RGB	16"	19.76"	15.46"	12.28"	14.02"	11.73"	15.75"	3.38"	4.29"	6.73"	1"-8UNC-2B	5.88"	10/10	222
816-450-WAF-RGB	18"	21.85"	17.42"	13.56"	16.94"	11.73"	23.62"	4.11"	4.76"	9.31"	1-1/8"-7UNC-2B	6.65"	10/12	341
816-500-WAF-RGB	20"	24.13"	19.36"	14.70"	18.98"	16.54"	23.62"	5.35"	5.28"	9.31"	1-1/8"-7UNC-2B	7.39"	12/24	413

