

AMERICAN AVK RESILIENT SEATED DUCTILE IRON GATE VALVE 45/PFN-UL

250 PSI, Tested to AWWA C509 / C515 (NRS) POxFL

Push-on Joint End (TYTON®) x Flanged End to ASME B16.42 Class 150 - Valve sizes 4"- 12" & 16"

Use:

For water and neutral liquids to maximum 160°F.

Tests:

Hydraulic test to AWWA C509 & UL 262:

Shell Test: 500 PSI 4"-16"

Seat Test: 375 PSI 4"-12" - 300 PSI -16"

Operating Torque Test

Optional Materials:

Stem For UL, FM, ULC for 4" - 12"
Low Zinc Bronze ASTM B763

For UL, FM, ULC for 16"
Aluminum Bronze ASTM B150/B150M

Anti Friction Washers Polyamide

Wedge Ductile iron ASTM A536
encapsulated with NBR-rubber
compound

Standard Materials:

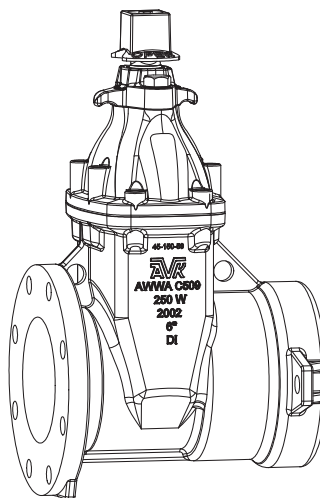
Body, Bonnet, Gland Flange, Wrench Nut	Ductile iron ASTM A536 (Wrench Nut-painted black for open left, red for open right)
Coating	Electrostatically applied fusion- bonded epoxy-resin Meets or exceeds AWWA C550
Stem	Standard: Stainless steel - 304
Wedge	Ductile iron ASTM A536 encapsulated with EPDM-rubber compound
Wedge Nut, Thrust Collar	Bronze
Bonnet Bolts	Stainless Steel - 316 sealed with hot melt
Gland Bolts	Stainless Steel - 316 Hexagon bolt
Bonnet Gasket, Wiper Ring, O-Ring Stem Seals, O-Ring Gland Seal	ASTM D2000 Buna "N" nitrile rubber

Approvals:



*UL/ULC Listed
*FM Approved
Certified to: ANSI/NSF 61, ANSI/NSF 372

* Approved at 250 PSI working pressure, 4"-12"
* Approved at 200 PSI working pressure, 16"



AMERICAN AVK RESILIENT SEATED DUCTILE IRON GATE VALVE

45/PFN-UL

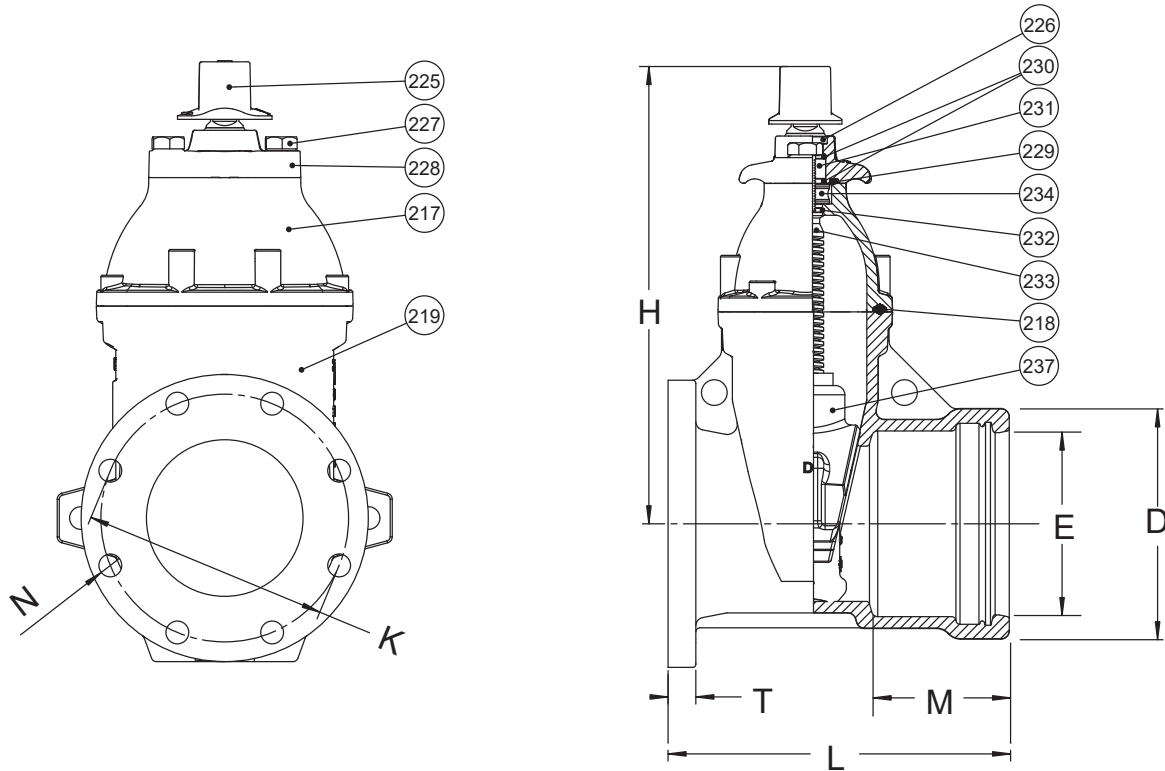
250 PSI, Tested to AWWA C509 / C515 (NRS)

POxFL

Push-on Joint End (TYTON®) x Flanged End to ASME B16.42 Class 150 - Valve sizes 4" - 12" & 16"

Component List:

- | | | |
|--------------------|------------------------------|-----------------------------|
| 217. Bonnet | 227. Gland Flange Bolt | 232. Lower Stem Seal O-Ring |
| 218. Bonnet Gasket | 228. Gland Flange | 233. NRS Stem |
| 219. Body | 229. Gland O-Ring | 234. Thrust Collar |
| 225. Wrench Nut | 230. Upper Stem Seal O-Rings | 237. Wedge |
| 226. Wiper Ring | 231. Stem Seal Bushing | |



Ref No.	Size	D	E	H	K	L	M	N	T	Flange Holes	Turns to Open	Weight (lbs.)
45-100-PFN	4"	6.66"	4.93"	13.50"	7.51"	10.51"	4.12"	0.75"	1.00"	8	14	59
45-150-PFN	6"	8.84"	7.03"	17.50"	9.49"	13.07"	5.22"	0.88"	1.06"	8	20	98
45-200-PFN	8"	11.23"	9.18"	21.50"	11.73"	14.33"	5.63"	0.88"	1.14"	8	26	154
45-250-PFN	10"	13.50"	11.22"	24.75"	14.25"	15.31"	5.63"	1.00"	1.22"	12	32	232
45-300-PFN	12"	15.74"	13.32"	27.75"	17.00"	16.61"	5.63"	1.00"	1.30"	12	38	358
45-400-PFN	16"	20.62"	17.51"	34.75"	21.25"	19.35"	5.00"	1.13"	1.44"	12	51	800

