

# AMERICAN AVK RESILIENT SEATED DUCTILE IRON GATE VALVE 45/MMO -UL 250 PSI, Tested to AWWA C509 (OS&Y) MJxMJ Mechanical Joint Ends - Valve Sizes 3" - 16"

**Use:**  
For water and neutral liquids to maximum 160°F.





**Tests:**  
Hydraulic test to AWWA C509 & UL 262:  
Shell Test: 500 PSI 3"-16"  
Seat Test: 375 PSI 3"-12" - 300 PSI 14"-16"  
Operating Torque Test

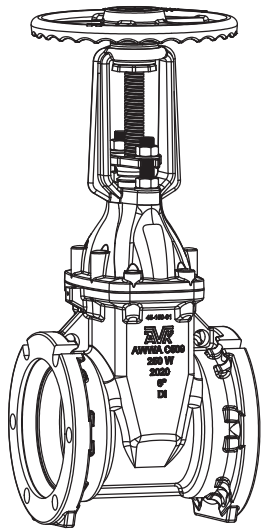
**Optional Materials:**

Wedge	Ductile iron ASTM A536 encapsulated with NBR-rubber compound
-------	--

<b>Standard Materials:</b>	
Body, Bonnet, Yoke, Gland Follower	Ductile iron ASTM A536
Handwheel	Cast iron ASTM A126 class B
Coating	Electrostatically applied fusion-bonded epoxy-resin Meets or exceeds AWWA C550
Stem	3"-12" Low Zinc Bronze ASTM B763 14"-16" Aluminum Bronze C63020
Anti-Friction Washer, Wedge Nut 2-piece Stem Nut	Bronze
Wedge	Ductile iron ASTM A536 encapsulated with EPDM - rubber compound.
Bonnet Bolts	Stainless Steel - 316 sealed with hot melt
Stud Bolts, Washers, Nuts	Stainless Steel - 316
Bonnet Gasket, O-rings	NBR
Gland, Gland Bushing	Akulon

**Approvals:**

*UL/ULC Listed	   
*FM Approved	
Certified to: ANSI/NSF 61, ANSI/NSF 372	
* Approved at 250 PSI working pressure, 3"-12"	
* Approved at 200 PSI working pressure, 14"-16"	

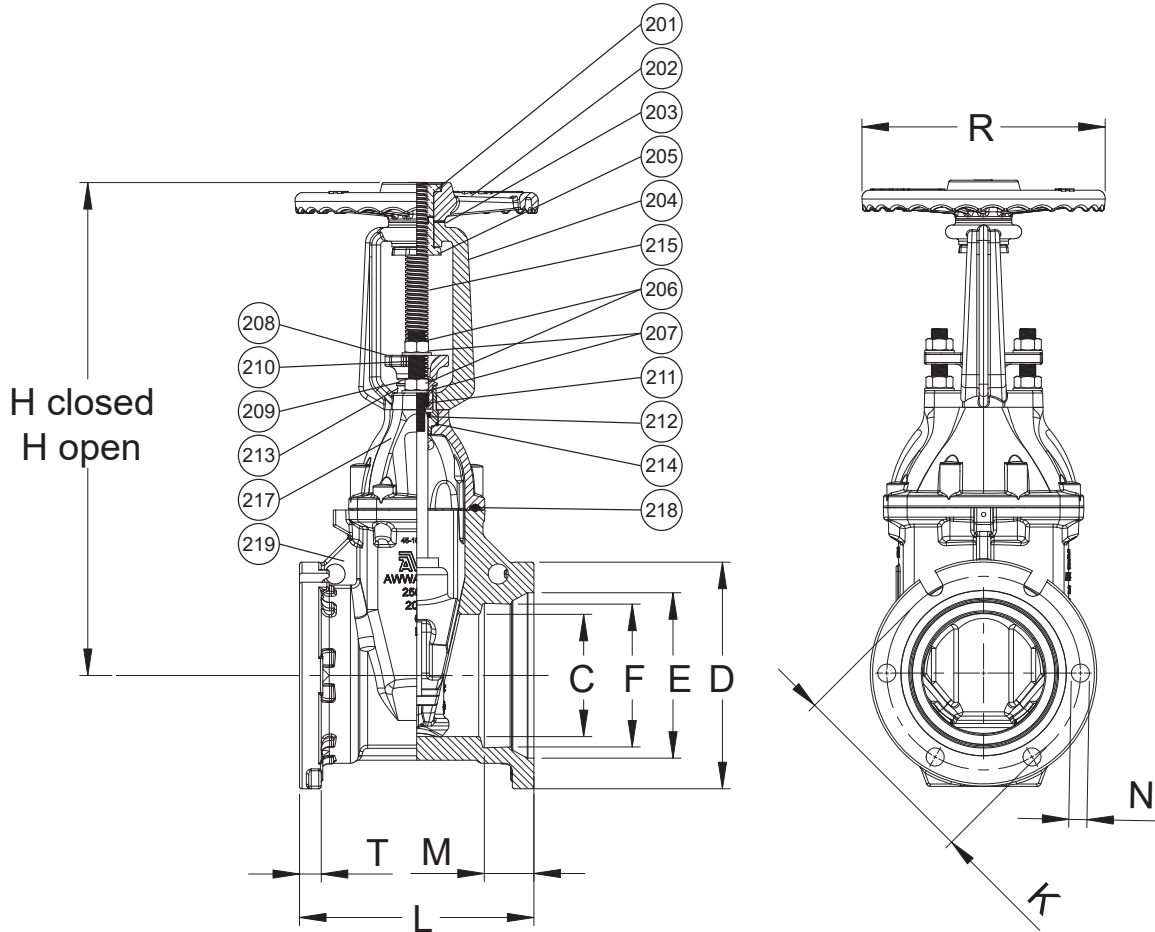


**AMERICAN AVK RESILIENT SEATED DUCTILE IRON GATE VALVE**  
**250 PSI, Tested to AWWA C509 (OS&Y)**  
**Mechanical Joint Ends - Valve Sizes 3" - 16"**

**45/FFO-UL**  
**FLxFL**

Component List:

- |                                 |                           |                               |
|---------------------------------|---------------------------|-------------------------------|
| 201. Upper Stem Nut             | 208. Gland Follower       | 215. OS&Y Stem Assembly       |
| 202. OS&Y Handwheel             | 209. Gland                | 216. Bonnet Bolts (Not Shown) |
| 203. Anti-Friction Washer       | 210. Stud Bolt            | 217. Bonnet                   |
| 204. Yoke                       | 211. Stem Seal O-rings    | 218. Bonnet Gasket            |
| 205. Lower Stem Nut             | 212. Inner Bushing O-ring | 219. Body                     |
| 206. Gland Follower/Yoke Nut    | 213. OS&Y Bushing         |                               |
| 207. Gland Follower/Yoke Washer | 214. Outer Bushing O-ring |                               |



Ref. nos.	Size	C	D	E	F	H open	H closed	K	L	M	N	R	T	Flange holes	Turns to open	Wt. Lbs.
45-080-FFO-UL	3"	3.13"	7.69"	4.96"	4.12"	15.63"	6.00"	6.19"	8.50"	2.50"	0.75"	7.00"	0.94"	4	20	56
45-100-FFO-UL	4"	4.25"	9.12"	6.02"	4.94"	18.63"	7.50"	7.62"	10.00"	2.50"	0.88"	10.00"	1.00"	4	21	84
45-150-FFO-UL	6"	6.25"	11.19"	8.12"	7.04"	25.00"	9.50"	9.74"	11.50"	2.50"	0.88"	12.00"	1.18"	6	26	138
45-200-FFO-UL	8"	8.25"	13.37"	10.27"	9.19"	31.00"	11.75"	11.98"	11.50"	2.50"	0.88"	14.00"	1.11"	6	35	211
45-250-FFO-UL	10"	10.25"	15.69"	11.94"	11.20"	36.80"	14.25"	14.01"	13.00"	2.50"	1.00"	17.00"	1.14"	8	37	303
45-300-FFO-UL	12"	12.25"	17.88"	14.44"	13.30"	41.50"	17.00"	16.25"	14.00"	2.50"	1.00"	17.00"	1.22"	8	44	431
45-350-FFO-UL	14"	14.00"	20.31"	16.61"	15.51"	55.24"	18.90"	18.75"	17.95"	3.50"	1.14"	25.00"	1.32"	10	50	673
45-400-FFO-UL	16"	16.00"	22.56"	18.64"	17.54"	54.70"	21.25"	21.00"	18.00"	3.50"	1.14"	25.00"	1.34"	12	56	684

