

**AMERICAN AVK RESILIENT SEATED DUCTILE IRON GATE VALVE**  
**250 PSI, Tested to AWWA C509 / C515 (NRS) for Indicator Post**  
**Tapping Sleeve Flanged End x Mechanical Joint - Valve sizes 4" - 12"**

**45/MFT-UL**  
**MJxTAP-PIV**

**Use:**

For water and neutral liquids to maximum 160°F.

**Tests:**

Hydraulic test to AWWA C509 & UL 262:

Shell Test: 500 PSI 4"-16"

Seat Test: 375 PSI 4"-12"

Operating Torque Test

**Optional Materials:**

Stem For UL, FM, ULC for 4" - 12"  
 Low Zinc Bronze ASTM B763

Anti Friction Washers Polyamide

Wedge Ductile iron ASTM A536  
 encapsulated with NBR-rubber  
 compound

**Standard Materials:**  
 Body, Bonnet,  
 Post Indicator Plate,  
 Wrench Nut

Ductile iron ASTM A536  
 (Wrench Nut-painted black for  
 open left, red for open right)

**Coating**

Electrostatically applied fusion-  
 bonded epoxy-resin  
 Meets or exceeds AWWA C550

**Stem**

Stainless steel 304

**Wedge**

Ductile iron ASTM A536  
 encapsulated with EPDM-rubber  
 compound

**Wedge Nut, Thrust Collar**

Bronze

**Bonnet Bolts**

Stainless Steel - 316  
 sealed with hot melt

**Gland Bolts**

Stainless Steel - 316  
 Hexagon bolt

**Bonnet Gasket,  
 Wiper Ring,  
 O-Ring Stem Seals,  
 O-Ring Gland Seal**

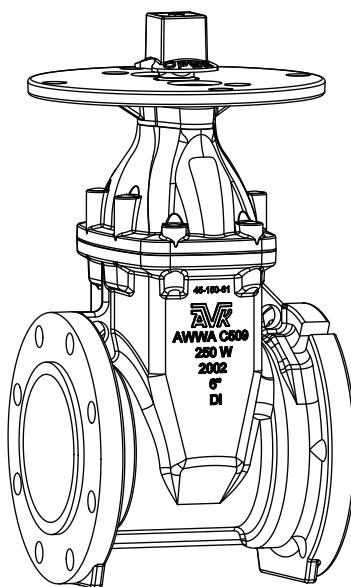
ASTM D2000 Buna "N" nitrile  
 rubber

**Approvals:**



\*UL/ULC Listed  
 \*FM Approved  
 Certified to: ANSI/NSF 61, ANSI/NSF 372

\* Approved at 250 PSI working pressure, 4"-12"

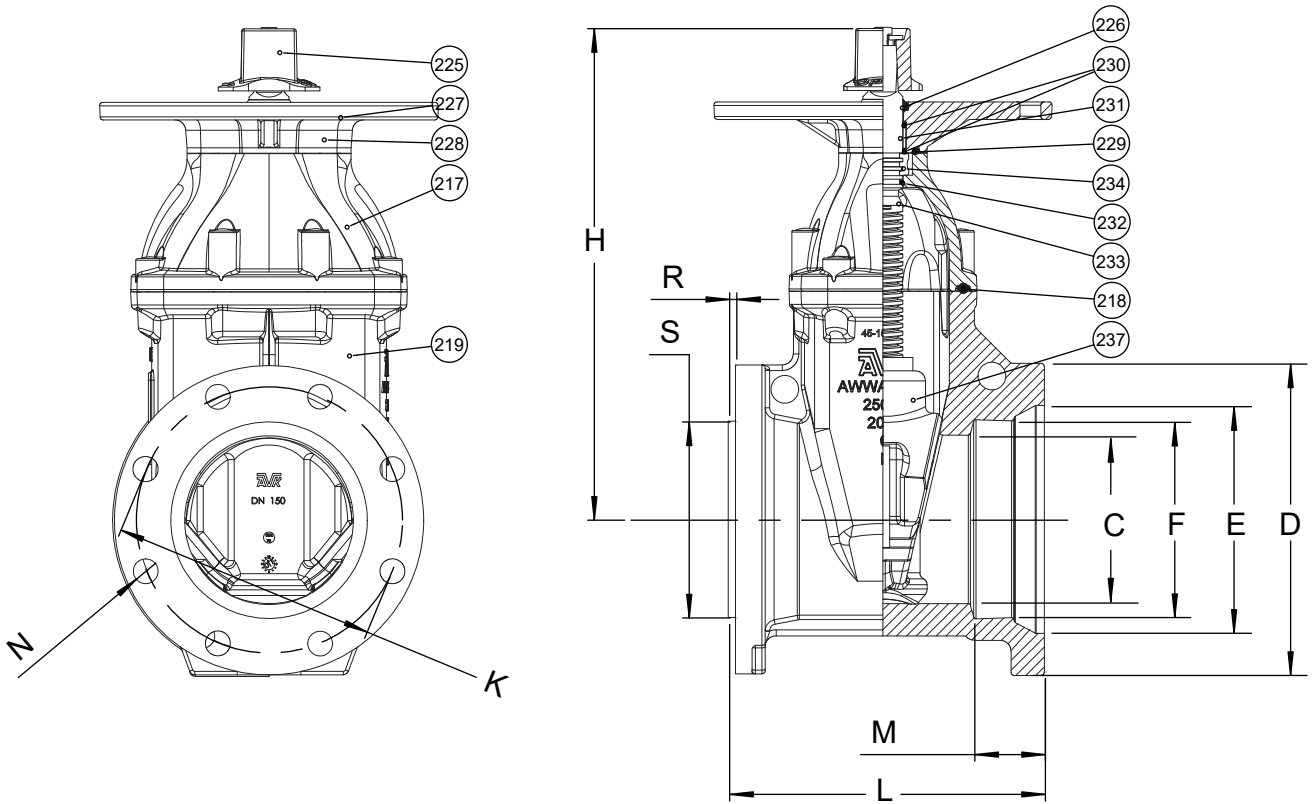


**AMERICAN AVK RESILIENT SEATED DUCTILE IRON GATE VALVE**  
**250 PSI, Tested to AWWA C509 / C515 (NRS) for Indicator Post**  
**Tapping Sleeve Flanged End x Mechanical Joint - Valve sizes 4" - 12"**

**45/MFT-UL**  
**MJxTAP-PIV**

Component List:

- |                           |                              |                             |
|---------------------------|------------------------------|-----------------------------|
| 217. Bonnet               | 226. Wiper Ring              | 232. Lower Stem Seal O-Ring |
| 218. Bonnet Gasket        | 227. Gland Flange Bolt       | 233. NRS Stem               |
| 219. Body                 | 229. Gland O-Ring            | 234. Thrust Collar          |
| 224. Post Indicator Plate | 230. Upper Stem Seal O-Rings | 237. Wedge                  |
| 225. Wrench Nut           | 231. Stem Seal Bushing       |                             |



Ref. nos.	Size	C	D	E	F	H	K	L	M	N	R	S	Flange Holes	Turns to open	Wt. Lbs.
45-100-MFT-UL	4"	4.25"	9.12"	6.06"	4.90"	13.50"	7.50"	9.50"	2.50"	0.75"	0.20"	4.98"	8	14	87
45-150-MFT-UL	6"	6.25"	11.12"	8.16"	7.00"	17.50"	9.50"	11.00"	2.50"	0.88"	0.26"	6.99"	8	21	133
45-200-MFT-UL	8"	8.25"	13.37"	10.31"	9.15"	21.50"	11.75"	12.75"	2.50"	0.88"	0.26"	8.98"	8	26	190
45-250-MFT-UL	10"	10.25"	15.69"	12.37"	11.19"	24.75"	14.25"	13.40"	2.50"	1.00"	0.26"	10.98"	12	32	281
45-300-MFT-UL	12"	12.25"	17.87"	14.50"	13.30"	27.63"	17.00"	14.60"	2.50"	1.00"	0.26"	12.98"	12	38	417

