

AMERICAN AVK RESILIENT SEATED GATE VALVE

Tested to AWWA C509 (OS&Y)

IPS Grooved End according to AWWA C606 x Flanged - Valve Sizes 2.5" - 10"

45/GFO-UL

IPS GRxFL

Use:

For water and neutral liquids to maximum 160°F.

Tests:

Hydraulic test to AWWA C509 & UL 262:

Shell Test: 500 PSI 2.5"-10"

Seat Test: 375 PSI 2.5"-10"

Operating Torque Test

Optional Materials:

Wedge Ductile iron ASTM A536
 encapsulated with NBR-rubber
 compound

Standard Materials:

| | |
|--|---|
| Body, Bonnet, Yoke, Gland Follower | Ductile iron ASTM A536 |
| Handwheel | Cast iron ASTM A126 class B |
| Coating | Electrostatically applied fusion-bonded epoxy-resin Meets or exceeds AWWA C550 |
| Stem | 304 Stainless Steel |
| Anti-Friction Washer, Wedge Nut 2-piece Stem Nut | Bronze |
| Wedge | Ductile iron ASTM A536 encapsulated with EPDM - rubber compound. |
| Bonnet Bolts | Stainless Steel - 316 sealed with hot melt |
| Stud Bolts, Washers, Nuts | Stainless Steel - 316 |
| Bonnet Gasket, O-rings | NBR |
| Gland, Gland Bushing | Akulon |

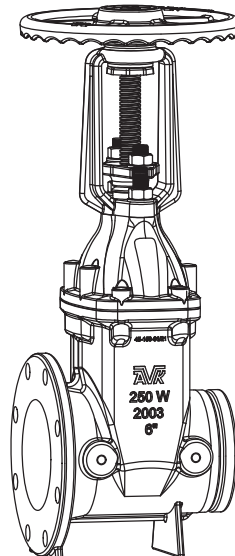
Approvals:

*UL/ULC Listed

*FM Approved

Certified to: ANSI/NSF 61, ANSI/NSF 372

* Approved at 250 PSI working pressure, 2.5"-10"



AMERICAN AVK RESILIENT SEATED GATE VALVE

250 PSI, Tested to AWWA C509 (OS&Y)

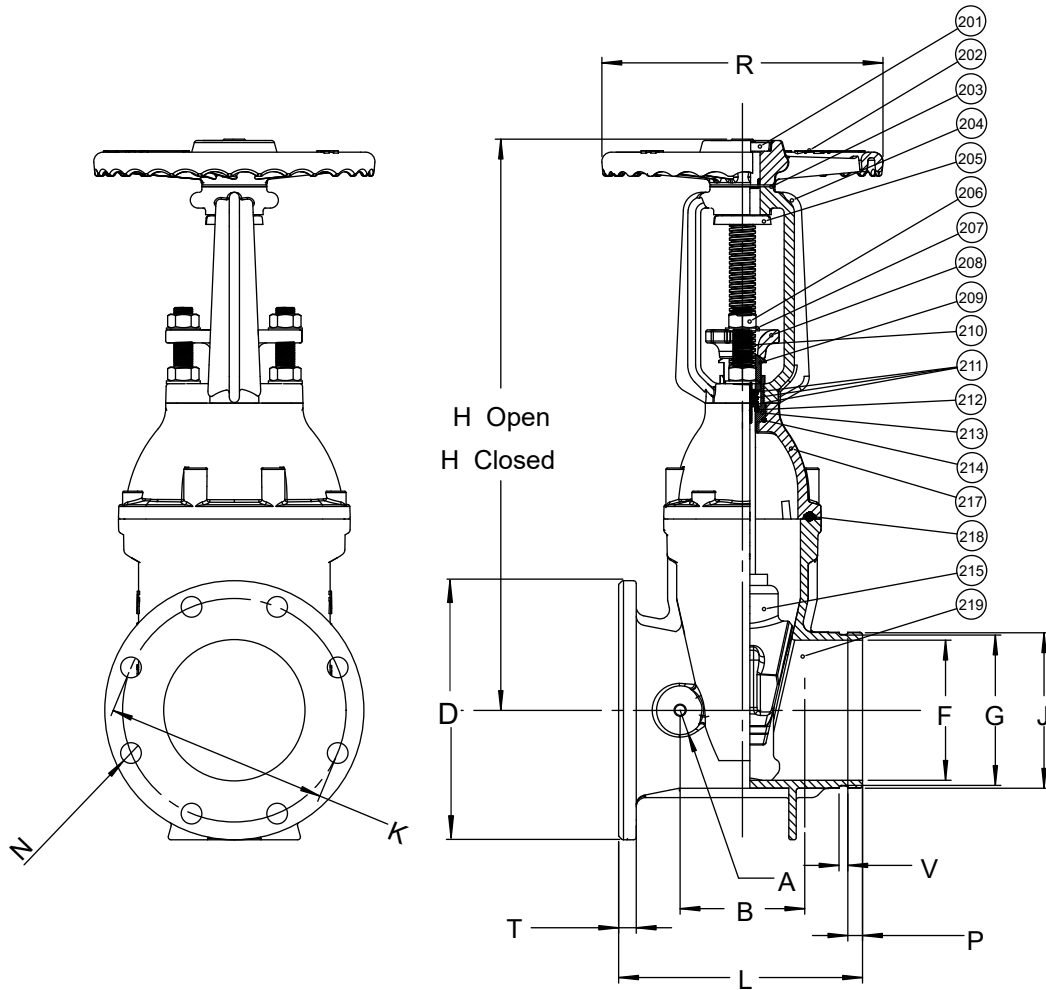
IPS Grooved End according to AWWA C606 x Flanged - Valve Sizes 2.5" - 10"

45/GFO-UL

IPS GRxFL

Component List:

- | | | |
|------------------------------|---------------------------------|---------------------------|
| 201. Upper Stem Nut | 207. Gland Follower/Yoke Washer | 214. Outer Bushing O-Ring |
| 202. OS&Y Handwheel | 208. Gland Follower | 215. OS&Y Stem Assembly |
| 203. Anti-Friction Washer | 209. Gland | 217. Bonnet |
| 204. Yoke | 210. Stud Bolt | 218. Bonnet Gasket |
| 205. Lower Stem Nut | 211. Stem Seal O-Ring | 219. Body |
| 206. Gland Follower/Yoke Nut | 212. Inner Bushing O-Ring | |



| Ref No. | Size | A | B | D | F | G | H Open | H Closed | J | K | L | N | P | R | T | V | Turns to Open | Weight Lbs. |
|---------------|------|-------|-------|--------|-------|-------|--------|----------|--------|--------|--------|-------|-------|--------|-------|-------|---------------|-------------|
| 45-065-GFO-UL | 2.5" | 1.57" | 3.74" | 7.00" | 2.50" | 2.72" | 17.50" | 15.00" | 2.88" | 5.50" | 8.00" | 0.75" | 0.63" | 7.00" | 0.71" | 0.31" | 17 | 45 |
| 45-080-GFO-UL | 3" | 1.57" | 3.74" | 7.52" | 3.00" | 3.34" | 18.63" | 15.63" | 3.50" | 6.00" | 8.00" | 0.75" | 0.63" | 7.00" | 0.75" | 0.31" | 20 | 48 |
| 45-100-GFO-UL | 4" | 1.65" | 4.12" | 9.00" | 4.00" | 4.33" | 22.63" | 18.63" | 4.50" | 7.50" | 9.00" | 0.75" | 0.63" | 10.00" | 0.75" | 0.38" | 21 | 64 |
| 45-150-GFO-UL | 6" | 1.97" | 5.29" | 11.00" | 6.00" | 6.45" | 31.00" | 25.00" | 6.62" | 9.50" | 10.50" | 0.88" | 0.63" | 12.00" | 0.75" | 0.38" | 26 | 111 |
| 45-200-GFO-UL | 8" | 1.97" | 8.00" | 13.50" | 8.00" | 8.44" | 39.00" | 31.00" | 8.62" | 11.75" | 11.50" | 0.88" | 0.75" | 14.00" | 0.79" | 0.44" | 35 | 165 |
| 45-250-GFO-UL | 10" | 1.97" | 8.00" | 13.50" | 8.00" | 8.44" | 46.80" | 36.80" | 10.75" | 14.25" | 13.00" | 1.00" | 0.75" | 17.00" | 0.94" | 0.50" | 37 | 275 |

