

**AMERICAN AVK RESILIENT SEATED DUCTILE IRON GATE VALVE 45/FFOH-UL**  
**250 PSI, Tested to AWWA C509 / C515 (OS&Y) CWP Tested to 350 PSI FLxFL**  
**Flanged x Flanged Ends to ASME B16.42 Class 300 - Valve Sizes 4" - 12"**  
**Laylength to ASME B16.10**

**Use:**

For water and neutral liquids to maximum 160°F.

**Tests:**

Hydraulic test to AWWA C509 & UL 262:

Shell Test: 500 PSI 4"-12"

Seat Test: 375 PSI 4"-12"

Operating Torque Test

**Optional Materials:**

Wedge                      Ductile iron ASTM A536  
 encapsulated with NBR-rubber  
 compound

**Standard Materials:**

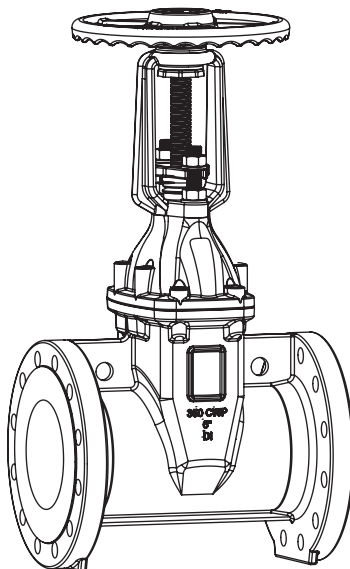
Body, Bonnet, Yoke, Gland Follower	Ductile iron ASTM A536
Handwheel	Cast iron ASTM A126 class B
Coating	Electrostatically applied fusion-bonded epoxy-resin Meets or exceeds AWWA C550
Stem	304 Stainless Steel
Anti-Friction Washer, Wedge Nut 2-piece Stem Nut	Bronze
Wedge	Ductile iron ASTM A536 encapsulated with EPDM - rubber compound.
Bonnet Bolts	Stainless Steel - 316 sealed with hot melt
Stud Bolts, Washers, Nuts	Stainless Steel - 316
Bonnet Gasket, O-rings	NBR
Gland, Gland Bushing	Akulon

**Approvals:**

\*UL/ULC Listed  
 \*FM Approved  
 Certified to: ANSI/NSF 61, ANSI/NSF 372



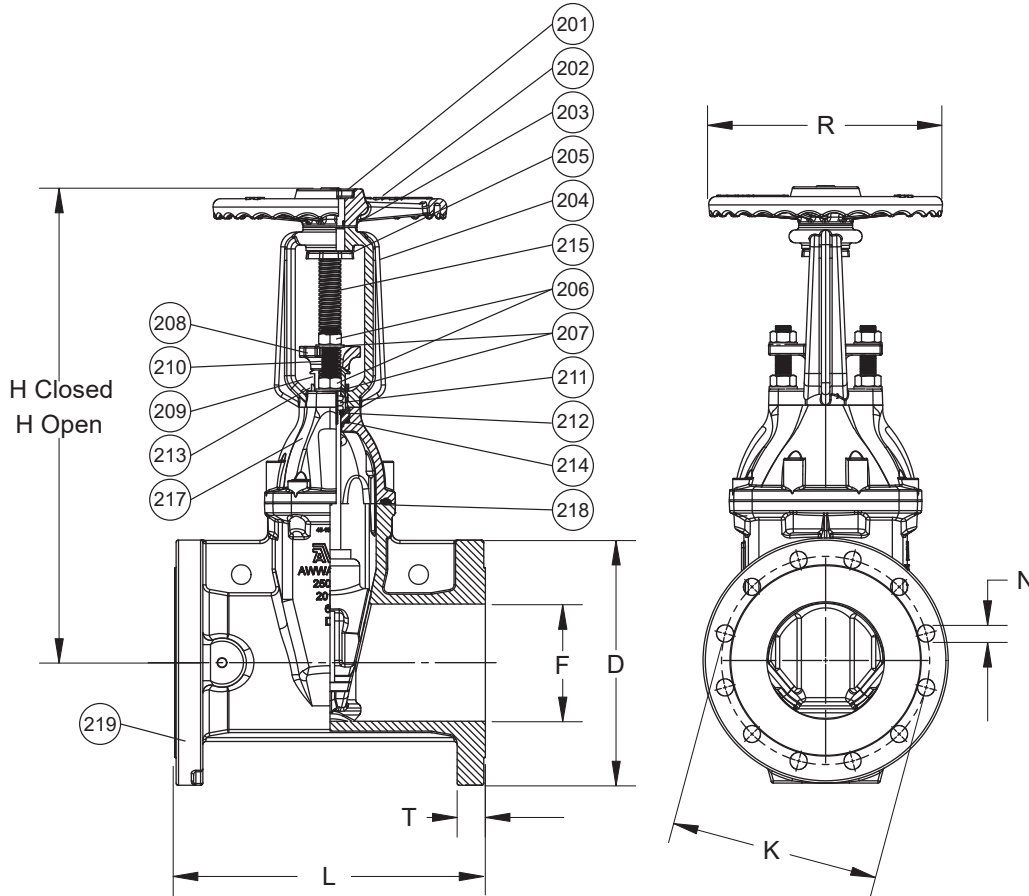
\* Approved at 250 PSI working pressure, 4"-12"



**AMERICAN AVK RESILIENT SEATED DUCTILE IRON GATE VALVE 45/FFOH-UL**  
**250 PSI, Tested to AWWA C509 / C515 (OS&Y) CWP Tested to 350 PSI FLxFL**  
**Flanged x Flanged Ends to ASME B16.42 Class 300 - Valve Sizes 4" - 12"**  
**Laylength to ASME B16.10**

Component List:

- |                                 |                           |                               |
|---------------------------------|---------------------------|-------------------------------|
| 201. Upper Stem Nut             | 208. Gland Follower       | 215. OS&Y Stem Assembly       |
| 202. OS&Y Handwheel             | 209. Gland                | 216. Bonnet Bolts (Not Shown) |
| 203. Anti-Friction Washer       | 210. Stud Bolt            | 217. Bonnet                   |
| 204. Yoke                       | 211. Stem Seal O-rings    | 218. Bonnet Gasket            |
| 205. Lower Stem Nut             | 212. Inner Bushing O-ring | 219. Body                     |
| 206. Gland Follower/Yoke Nut    | 213. OS&Y Bushing         |                               |
| 207. Gland Follower/Yoke Washer | 214. Outer Bushing O-ring |                               |



Ref. nos.	Size	D	F	H open	H closed	K	L	N	R	T	Flange holes	Turns to open	Wt. Lbs.
45-100-FFOH	4"	10.00"	4.00"	22.63"	18.63"	7.88"	12.00"	0.88"	10.00"	1.25"	8	21	113
45-150-FFOH	6"	12.50"	6.00"	31.00"	25.00"	10.62"	15.88"	0.88"	12.00"	1.44"	12	26	202
45-200-FFOH	8"	15.00"	8.00"	39.00"	31.00"	13.00"	16.50"	1.00"	14.00"	1.62"	12	35	301
45-250-FFOH	10"	17.50"	10.00"	46.80"	36.80"	15.25"	18.00"	1.12"	17.00"	1.88"	16	37	400
45-300-FFOH	12"	20.50"	12.00"	53.50"	41.50"	17.75"	19.76"	1.25"	17.00"	2.00"	16	44	563

