

AMERICAN AVK RESILIENT SEATED DUCTILE IRON GATE VALVE
250 PSI, Tested to AWWA C509 / C515 (NRS)
Flanged Ends to ASME B16.42 Class 150 - Valve sizes 2.5" - 16"

**45/FFN-UL
 FLxFL**

Use:

For water and neutral liquids to maximum 160°F.

Tests:

Hydraulic test to AWWA C509 & UL 262:

Shell Test: 500 PSI 2.5"-16"

Seat Test: 375 PSI 2.5"-12" - 300 PSI 14"-16"

Operating Torque Test

Optional Materials:

Stem For UL, FM, ULC for 2.5" - 12"
 Low Zinc Bronze ASTM B763

For UL, FM, ULC for 14" - 16"
 Aluminum Bronze ASTM B150/B150M

Anti Friction Washers Polyamide

Wedge Ductile iron ASTM A536
 encapsulated with NBR-rubber
 compound

Standard Materials:

Body, Bonnet, Gland Flange, Wrench Nut Ductile iron ASTM A536
 (Wrench Nut-painted black for open left, red for open right)

Coating Electrostatically applied fusion-bonded epoxy-resin
 Meets or exceeds AWWA C550

Stem Standard: Stainless steel - 304

Wedge Ductile iron ASTM A536 encapsulated with EPDM-rubber compound

Wedge Nut, Thrust Collar Bronze

Bonnet Bolts Stainless Steel - 316 sealed with hot melt

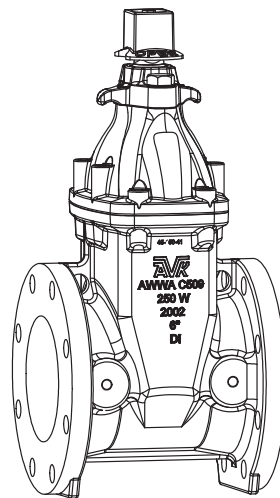
Gland Bolts Stainless Steel - 316
 Hexagon bolt

Bonnet Gasket, Wiper Ring, O-Ring Stem Seals, O-Ring Gland Seal
 ASTM D2000 Buna "N" nitrile rubber



Certified to NSF/ANSI 61

Certified to NSF/ANSI 372

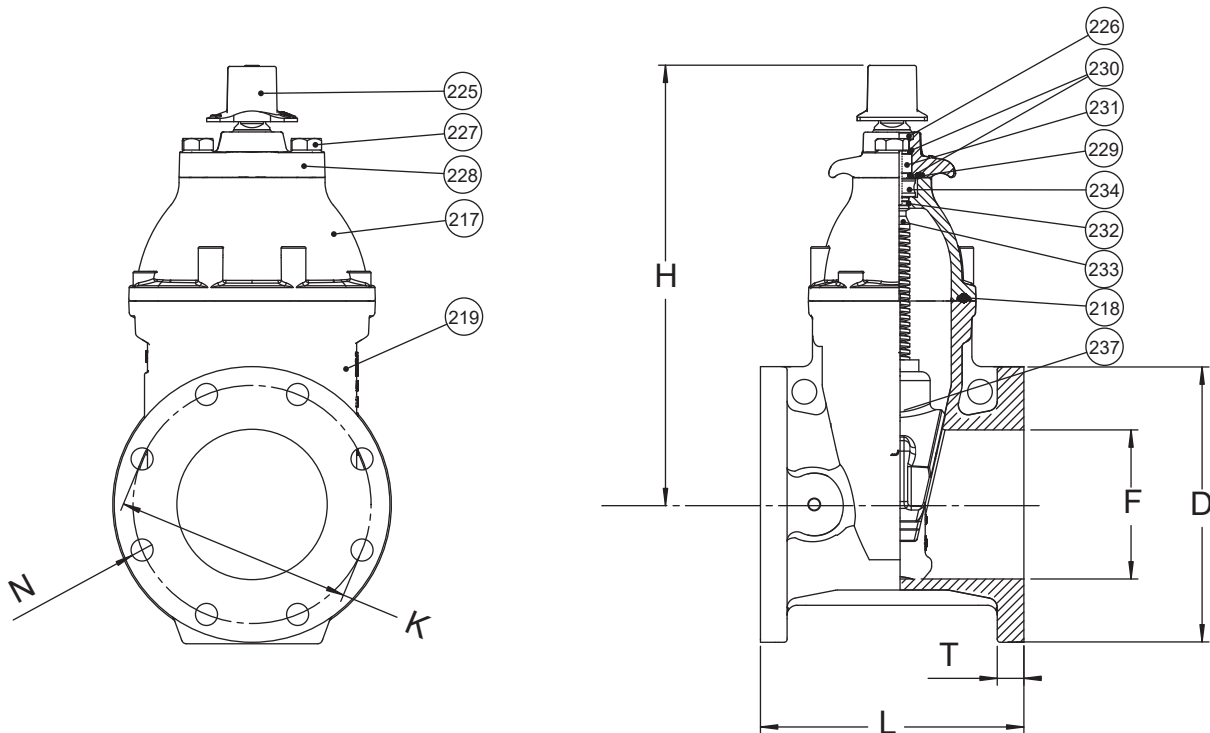


AMERICAN AVK RESILIENT SEATED DUCTILE IRON GATE VALVE
250 PSI, Tested to AWWA C509 / C515 (NRS)
Flanged Ends to ASME B 16.42 Class 150 - Valve sizes 2.5" - 16"

45/FFN-UL
FLxFL

Component List:

- | | | |
|--------------------|------------------------------|-----------------------------|
| 217. Bonnet | 227. Gland Flange Bolt | 232. Lower Stem Seal O-Ring |
| 218. Bonnet Gasket | 228. Gland Flange | 233. NRS Stem |
| 219. Body | 229. Gland O-Ring | 234. Thrust Collar |
| 225. Wrench Nut | 230. Upper Stem Seal O-Rings | 237. Wedge |
| 226. Wiper Ring | 231. Stem Seal Bushing | |



| Ref No. | Size | D | F | H | K | L | N | T | Flange Holes | Turns to Open | Weight (lbs.) |
|---------------|------|--------|--------|--------|--------|--------|-------|-------|--------------|---------------|---------------|
| 45-065-FFN-UL | 2.5" | 7.00" | 2.50" | 12.09" | 5.50" | 7.50" | 0.75" | 0.71" | 4 | 12 | 38 |
| 45-080-FFN-UL | 3" | 7.50" | 3.00" | 12.09" | 6.00" | 8.00" | 0.75" | 0.79" | 4 | 12 | 42 |
| 45-100-FFN-UL | 4" | 9.00" | 4.00" | 13.50" | 7.50" | 9.00" | 0.75" | 1.00" | 8 | 14 | 63 |
| 45-150-FFN-UL | 6" | 11.00" | 6.00" | 17.50" | 9.50" | 10.50" | 0.88" | 1.06" | 8 | 20 | 97 |
| 45-200-FFN-UL | 8" | 13.50" | 8.00" | 21.50" | 11.75" | 11.50" | 0.88" | 1.14" | 8 | 26 | 154 |
| 45-250-FFN-UL | 10" | 16.00" | 10.00" | 24.75" | 14.25" | 13.00" | 1.00" | 1.22" | 12 | 32 | 269 |
| 45-300-FFN-UL | 12" | 19.00" | 12.00" | 27.63" | 17.00" | 14.00" | 1.00" | 1.30" | 12 | 38 | 409 |
| 45-350-FFN-UL | 14" | 20.98" | 14.00" | 35.75" | 18.75" | 15.00" | 1.13" | 1.18" | 12 | 51 | 620 |
| 45-400-FFN-UL | 16" | 23.50" | 16.00" | 34.74" | 21.25" | 16.00" | 1.13" | 1.44" | 16 | 51 | 790 |

