

**AMERICAN AVK RESILIENT SEATED DUCTILE IRON GATE VALVE**  
**250 PSI, Tested to AWWA C509 / C515 (NRS) CWP Tested to 350 PSI**  
**Flanged x Flanged Ends to ASME B16.42 Class 300 - Valve Sizes 4" - 12"**  
**Laylength to ASME B16.10**

**45/FFH-UL**  
**FLxFL**

**Use:**  
 For water and neutral liquids to maximum 160°F.

**Tests:**  
 Hydraulic test to AWWA C509 & UL 262:  
 Shell Test: 500 PSI 4"-12"  
 Seat Test: 375 PSI 4"-12"  
 Operating Torque Test


**Optional Materials:**

Stem	For UL, FM, ULC for 4" - 12" Low Zinc Bronze ASTM B763
Anti Friction Washers	Polyamide
Wedge	Ductile iron ASTM A536 encapsulated with NBR-rubber compound


**Standard Materials:**


Body, Bonnet, Gland Flange, Wrench Nut	Ductile iron ASTM A536 (Wrench Nut-painted black for open left, red for open right)
Coating	Electrostatically applied fusion- bonded epoxy-resin Meets or exceeds AWWA C550
Stem	Standard: Stainless steel - 304
Wedge	Ductile iron ASTM A536 encapsulated with EPDM-rubber compound
Wedge Nut, Thrust Collar	Bronze
Bonnet Bolts	Stainless Steel - 316 sealed with hot melt
Gland Bolts	Stainless Steel - 316 Hexagon bolt
Bonnet Gasket, Wiper Ring, O-Ring Stem Seals, O-Ring Gland Seal	ASTM D2000 Buna "N" nitrile rubber


**Approvals:**



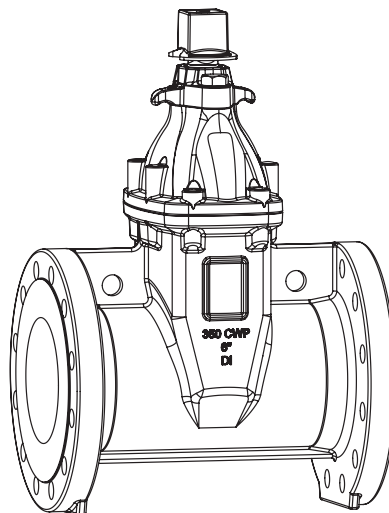
\*UL/ULC Listed  
\*FM Approved  
Certified to: ANSI/NSF 61, ANSI/NSF 372







\* Approved at 250 PSI working pressure, 4"-12"

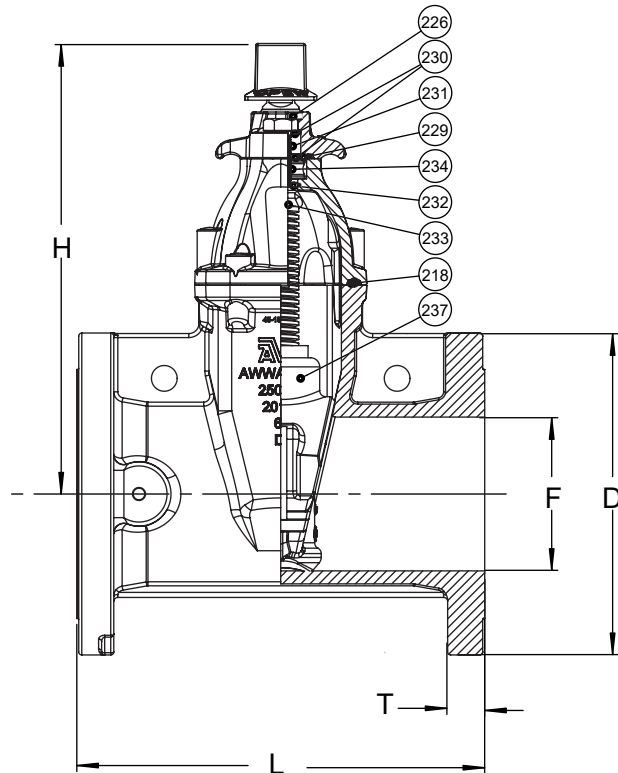
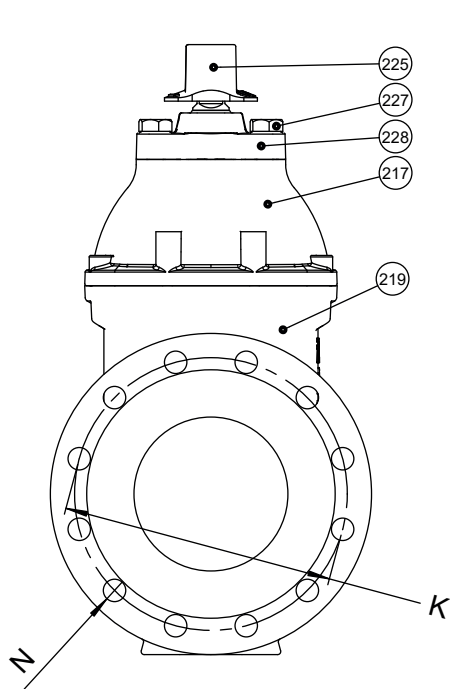


**AMERICAN AVK RESILIENT SEATED DUCTILE IRON GATE VALVE**  
**250 PSI, Tested to AWWA C509 / C515 (NRS) CWP Tested to 350 PSI**  
 Flanged x Flanged Ends to ASME B16.42 Class 300 - Valve Sizes 4" - 12"  
 Laylength to ASME B16.10

**45/FFH-UL**  
**FLxFL**

Component List:

- |                    |                              |                             |
|--------------------|------------------------------|-----------------------------|
| 217. Bonnet        | 227. Gland Flange Bolt       | 232. Lower Stem Seal O-Ring |
| 218. Bonnet Gasket | 228. Gland Flange            | 233. NRS Stem               |
| 219. Body          | 229. Gland O-Ring            | 234. Thrust Collar          |
| 225. Wrench Nut    | 230. Upper Stem Seal O-Rings | 237. Wedge                  |
| 226. Wiper Ring    | 231. Stem Seal Bushing       |                             |



RefNo.	Size	D	F	H	K	L	N	T	Flange Holes	Turns to Open	Weight Lbs.
45-100-FFH	4"	10.00"	4.00"	13.50"	7.88"	12.00"	0.88"	1.25"	8	14	91
45-150-FFH	6"	12.50"	6.00"	17.50"	10.63"	15.88"	0.88"	1.44"	12	21	161
45-200-FFH	8"	15.00"	8.00"	21.50"	13.00"	16.50"	1.00"	1.62"	12	26	244
45-250-FFH	10"	17.50"	10.00"	24.75"	15.25"	18.00"	1.12"	1.88"	16	32	366
45-300-FFH	12"	20.50"	12.00"	27.75"	17.75"	19.76"	1.25"	2.00"	16	38	541

