

AMERICAN AVK RESILIENT SEATED GATE VALVE

55/MFP/UL

250 PSI, Tested to AWWA C509/C515 - 200 PSI, for UL/FM (NRS) with Post Indicator Plate MJxFL Mechanical Joint by Flanged Ends to ASME B16.42 Class 150 - Valve Sizes 18" - 24"

Use:
For water and neutral liquids to maximum 160°F.

Tests:
Hydraulic test to AWWA C509/C515: UL262/FM1120
Shell Test: 500 PSI 500 PSI
Seat Test: 250 PSI 300 PSI
Operating Torque Test

Options:

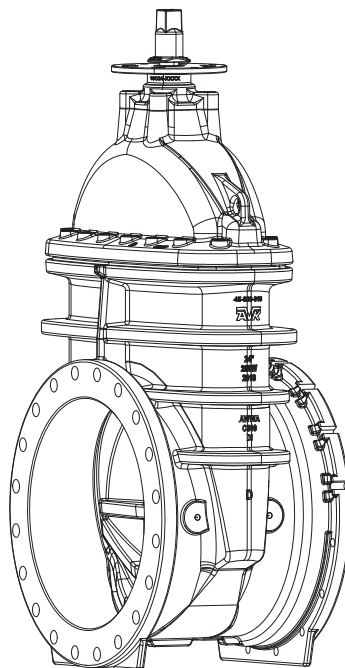
Wedge Ductile iron ASTM A536 encapsulated with NBR-rubber compound

Standard Materials:

Body, Bonnet, Post Indicator Plate, Wrench Nut	Ductile iron ASTM A536 (Wrench Nut-painted black for open left, red for open right)
Wedge	Ductile iron ASTM A536 encapsulated with EPDM-rubber compound
Stem	316 stainless steel
Radial Bearing, Wedge Shoe	Polyamide
Coating	Electrostatically applied fusion-bonded epoxy-resin Meets or exceeds AWWA C550
Wedge Nut	Copper alloy
Thrust Collar	Aluminum Bronze
Thrust Bearing	Bronze/PTFE composite
Bonnet Bolts, Gland Bolts	Stainless Steel - 316 sealed with hot melt
Bonnet Gasket, Wiper Ring, O-rings	ASTM D2000 Buna "N" nitrile rubber

Approvals:

UL/ULC Listed
FM Approved
Certified to: NSF/ANSI/CAN 61,
NSF/ANSI/CAN 372



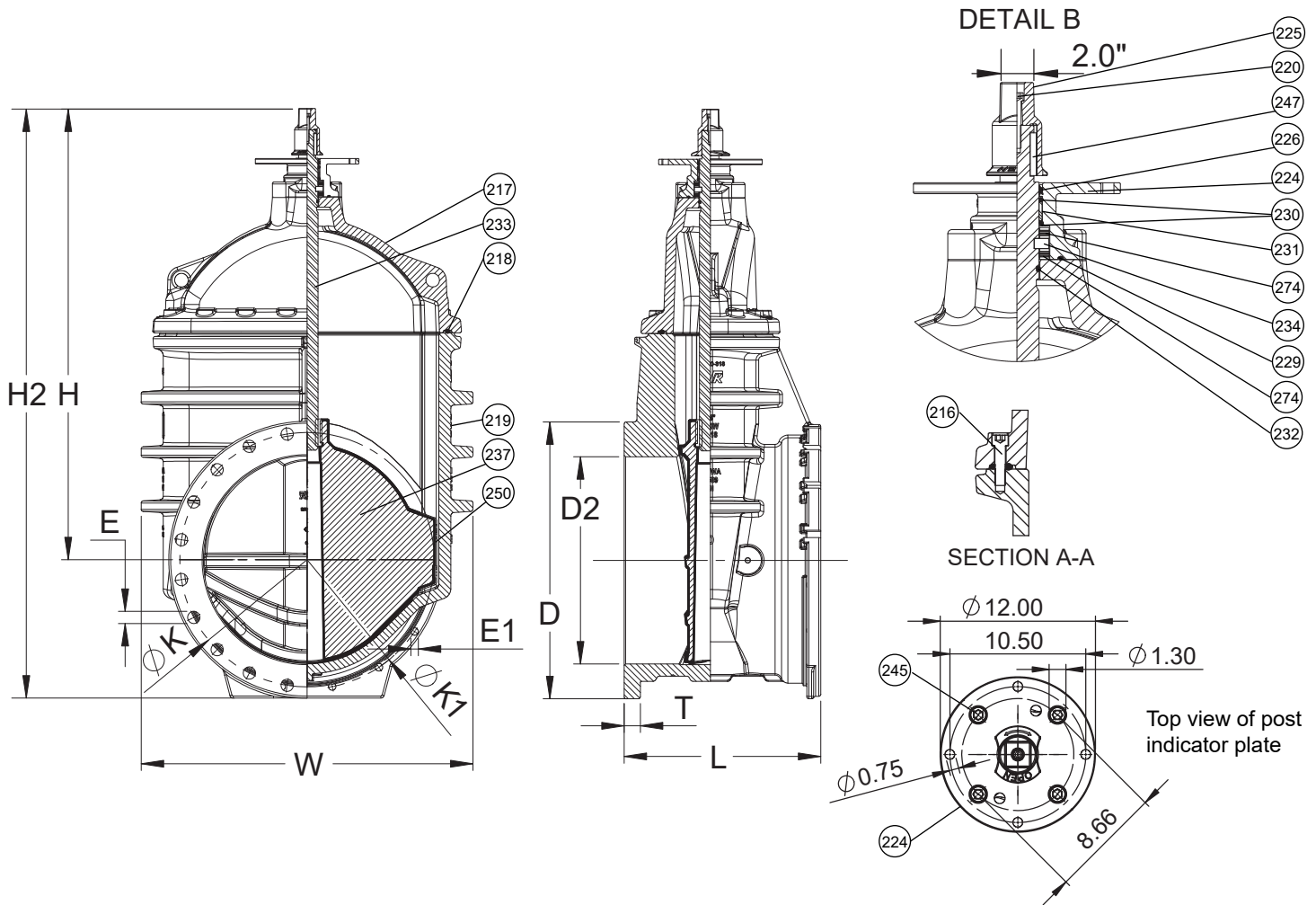
AMERICAN AVK RESILIENT SEATED GATE VALVE

55/MFP/UL

250 PSI, Tested to AWWA C509/C515 - 200 PSI, for UL/FM (NRS) with Post Indicator Plate MJxFL Mechanical Joint by Flanged Ends to ASME B16.42 Class 150 - Valve Sizes 18" - 24"

Component List:

- | | | | |
|----------------------|------------------------------|-----------------------------|----------------------|
| 216. Bonnet Bolts | 224. Post Indicator Plate | 231. Stem Seal Bushing | 247. Stem Key |
| 217. Bonnet | 225. Wrench Nut | 232. Lower Stem Seal O-Ring | 250. Wedge Shoe |
| 218. Bonnet Gasket | 226. Wiper Ring | 233. Stem | 274. 18"-24" Bearing |
| 219. Body | 229. Gland O-ring | 237. Wedge | |
| 220. Wrench Nut Bolt | 230. Upper Stem Seal O-Rings | 245. Adaptor Plate Bolts | |



Ref. nos	Size	D	D2	E	E1	H	H2	K	K1	L	L1	L2	T	W	Flange Holes MJ FL	Turns to open	Wt. Lbs.
55-450-MFP-UL	18"	25.00"	18.35"	1.25"	0.88"	46.23"	58.71"	22.75"	23.25"	19.94"	8.50"	11.44"	1.56"	32.95"	12 16	41	1435
55-500-MFP-UL	20"	27.56"	20.31"	1.25"	0.88"	47.38"	61.15"	25.00"	25.50"	20.75"	9.00"	11.75"	1.70"	33.27"	14 20	45	1582
55-600-MFP-UL	24"	32.00"	24.00"	1.38"	0.88"	52.58"	68.65"	29.50"	30.00"	22.80"	10.00"	12.80"	1.87"	38.46"	16 20	53	2145

