

# AMERICAN AVK RESILIENT SEATED GATE VALVE

55/FFP/UL

250 PSI, Tested to AWWA C509/C515 - 200 PSI, for UL/FM (NRS) with Post Indicator Plate FLxFL Flange Ends to ASME B16.42 Class 150 - Valve Sizes 18" - 24"

**Use:**  
For water and neutral liquids to maximum 160°F.





**Tests:**  
Hydraulic test to AWWA C509/C515: UL262/FM1120  
Shell Test: 500 PSI 500 PSI  
Seat Test: 250 PSI 300 PSI  
Operating Torque Test

**Options:**

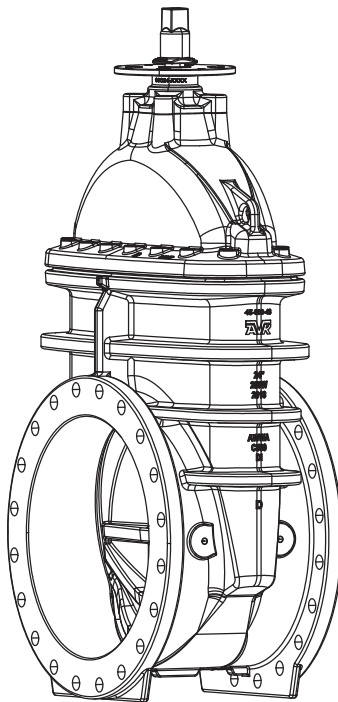
Wedge                      Ductile iron ASTM A536 encapsulated with NBR-rubber compound

**Approvals:**

UL/ULC Listed  
FM Approved  
Certified to: NSF/ANSI/CAN 61,  
NSF/ANSI/CAN 372

<b>Standard Materials:</b>	
Body, Bonnet, Post Indicator Plate, Wrench Nut	Ductile iron ASTM A536 (Wrench Nut-painted black for open left, red for open right)
Wedge	Ductile iron ASTM A536 encapsulated with EPDM-rubber compound
Stem	316 stainless steel
Radial Bearing, Wedge Shoe	Polyamide
Coating	Electrostatically applied fusion-bonded epoxy-resin Meets or exceeds AWWA C550
Wedge Nut	Copper alloy
Thrust Collar	Aluminum Bronze
Thrust Bearing	Bronze/PTFE composite
Bonnet Bolts, Gland Bolts	Stainless Steel - 316 sealed with hot melt
Bonnet Gasket, Wiper Ring, O-rings	ASTM D2000 Buna "N" nitrile rubber



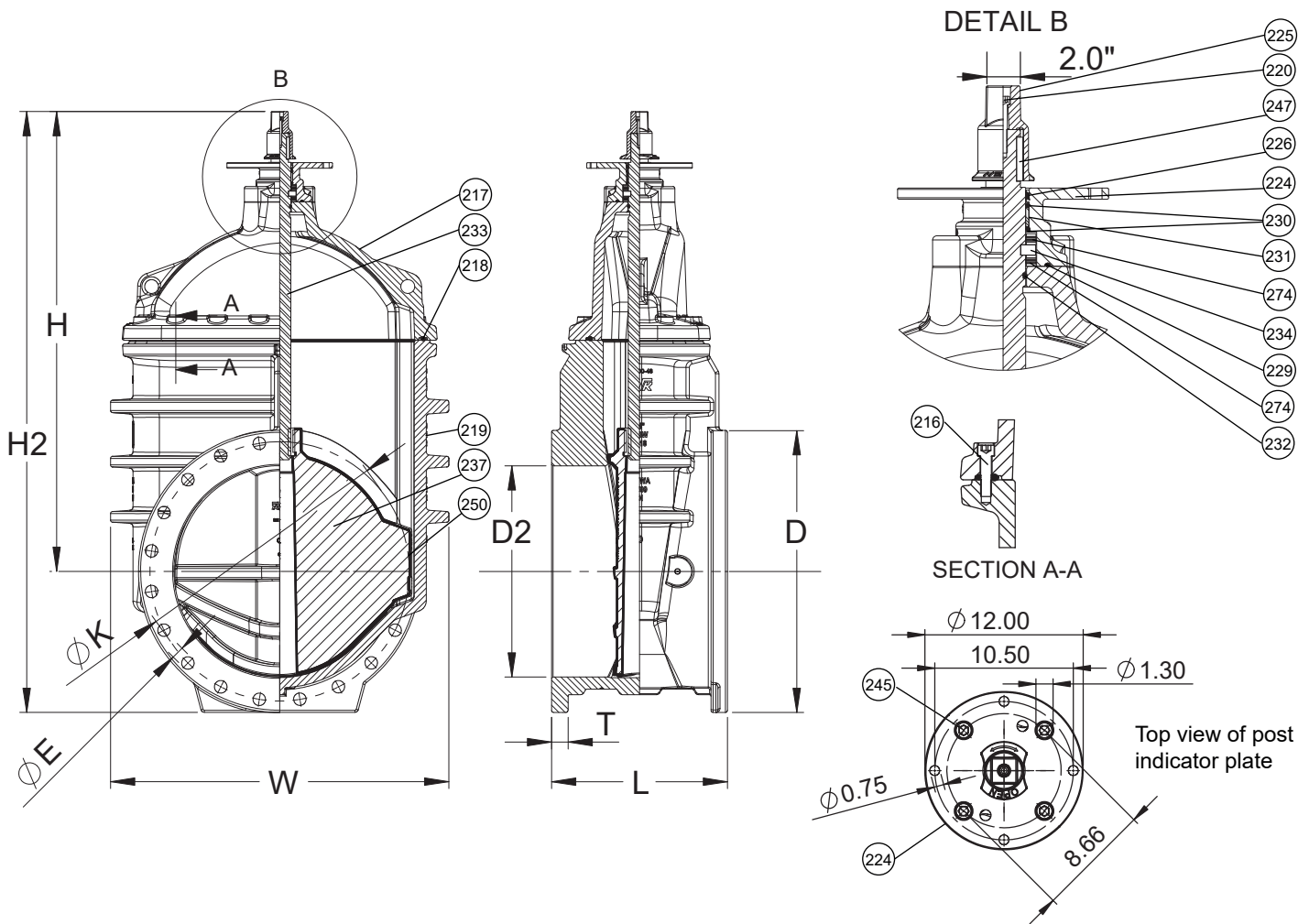
# AMERICAN AVK RESILIENT SEATED GATE VALVE

55/FFP/UL

250 PSI, Tested to AWWA C509/C515 - 200 PSI, for UL/FM (NRS) with Post Indicator Plate FLxFL  
Flange Ends to ASME B16.42 Class 150 - Valve Sizes 18" - 24"

**Component List:**

216. Bonnet Bolts	224. Post Indicator Plate	231. Stem Seal Bushing	247. Stem Key
217. Bonnet	225. Wrench Nut	232. Lower Stem Seal O-Ring	250. Wedge Shoe
218. Bonnet Gasket	226. Wiper Ring	233. Stem	274. 18"-24" Bearing
219. Body	229. Gland O-ring	237. Wedge	
220. Wrench Nut Bolt	230. Upper Stem Seal O-Rings	245. Adaptor Plate Bolts	



Ref. nos	Size	D	D2	E	H	H2	K	L	T	W	Flange Holes	Turns to open	Wt. Lbs.
55-450-FFP-UL	18"	25.00"	20.00"	1.25"	46.10"	58.58"	22.75"	17.00"	1.56"	32.95"	16	41	1435
55-500-FFP-UL	20"	27.56"	20.00"	1.25"	47.10"	60.87"	25.00"	18.00"	1.70"	33.27"	20	45	1582
55-600-FFP-UL	24"	32.00"	24.00"	1.38"	52.28"	68.35"	29.50"	20.00"	1.90"	38.46"	20	53	2145

