

AMERICAN AVK RESILIENT SEATED GATE VALVE
250 PSI, Tested to AWWA C509/C515 - 200 PSI, for UL/FM (NRS)
Flange Ends to ASME B16.42 Class 150 - Valve Sizes 18" - 24"

55/FFN/UL
FLxFL

Use:
 For water and neutral liquids to maximum 160°F.





Tests:
 Hydraulic test to AWWA C509/C515: UL262/FM1120
 Shell Test: 500 PSI 500 PSI
 Seat Test: 250 PSI 300 PSI
 Operating Torque Test

Options:

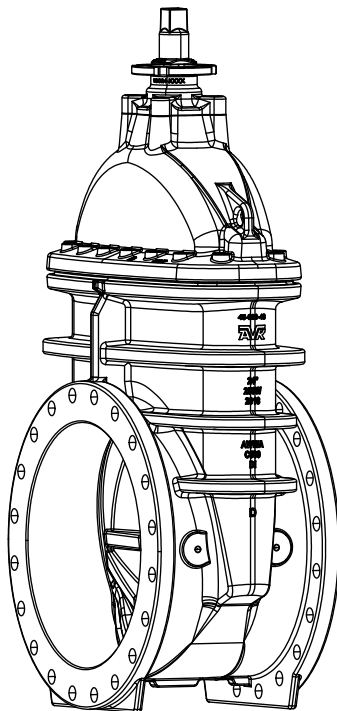
Wedge Ductile iron ASTM A536 encapsulated with NBR-rubber compound

Approvals:

UL/ULC Listed
 FM Approved
 Certified to: NSF/ANSI/CAN 61,
 NSF/ANSI/CAN 372

Standard Materials:	
Body, Bonnet, Gland Flange, Wrench Nut	Ductile iron ASTM A536 (Wrench Nut-painted black for open left, red for open right)
Wedge	Ductile iron ASTM A536 encapsulated with EPDM-rubber compound
Stem	316 stainless steel
Radial Bearing, Wedge Shoe	Polyamide
Coating	Electrostatically applied fusion-bonded epoxy-resin Meets or exceeds AWWA C550
Wedge Nut	Copper alloy
Thrust Collar	Aluminum Bronze
Thrust Bearing	Bronze/PTFE composite
Bonnet Bolts, Gland Bolts	Stainless Steel - 316 sealed with hot melt
Bonnet Gasket, Wiper Ring, O-rings	ASTM D2000 Buna "N" nitrile rubber

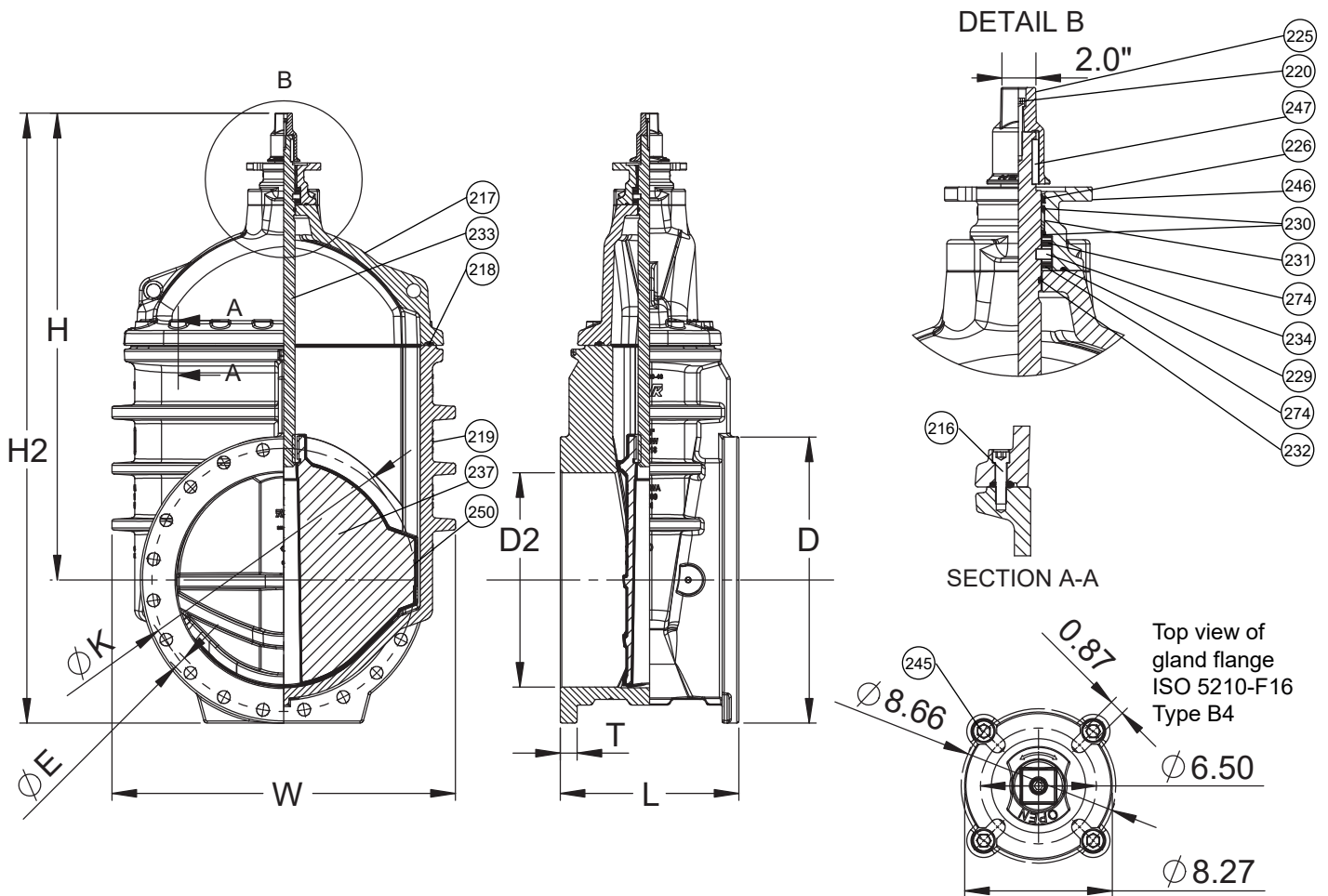


AMERICAN AVK RESILIENT SEATED GATE VALVE
250 PSI, Tested to AWWA C509/C515 (NRS)
Flange Ends to ASME B16.42 Class 150 - Valve Sizes 18" - 24"

55/FFN/UL
FLxFL

Component List:

216. Bonnet Bolts	225. Wrench Nut	232. Lower Stem Seal O-Ring	247. Stem Key
217. Bonnet	226. Wiper Ring	233. Stem	250. Wedge Shoe
218. Bonnet Gasket	229. Gland O-ring	237. Wedge	274. 18"-24" Bearing
219. Body	230. Upper Stem Seal O-Rings	245. Adaptor Plate Bolts	
220. Wrench Nut Bolt	231. Stem Seal Bushing	246. Adaptor Plate	



Ref. nos	Size	D	D2	E	H	H2	K	L	T	W	Flange Holes	Turns to open	Wt. Lbs.
55-450-FFN-UL	18"	25.00"	20.00"	1.25"	46.10"	58.58"	22.75"	17.00"	1.56"	32.95"	16	41	1435
55-500-FFN-UL	20"	27.56"	20.00"	1.25"	47.10"	60.87"	25.00"	18.00"	1.70"	33.27"	20	45	1582
55-600-FFN-UL	24"	32.00"	24.00"	1.38"	52.28"	68.35"	29.50"	20.00"	1.90"	38.46"	20	53	2145

