

# AMERICAN AVK OS&Y RESILIENT SEATED GATE VALVE, WITH ACTUATOR PLATE

# OS&Y/ACT OS&Y ACTUATOR VALVES

- (OS&Y) - Series 45, - Valve Sizes 2.5" through 16"

**Use:**

For water and neutral liquids to maximum 160°F.

**Tests:**

Hydraulic test to AWWA C509:

Shell Test: 700 PSI 2.5"-12"

Seat Test: 350 PSI 2.5"-12"

Shell Test: 500 PSI 14"-16"

Seat Test: 250 PSI 14"-16"

Operating Torque Test

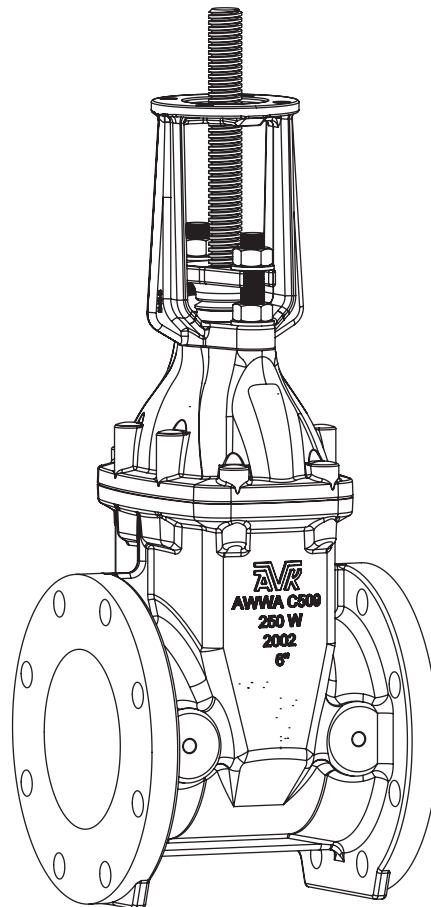
**Standard Materials:**

Adapter Flange      Ductile iron ASTM A536

Stem                      Bronze

Stud Bolts, Washers, Nuts      Zinc Plated Steel  
Socket Head Cap Screw

**Note:** For complete Standard, and  
Optional material lists, refer to  
individual Series datasheets.

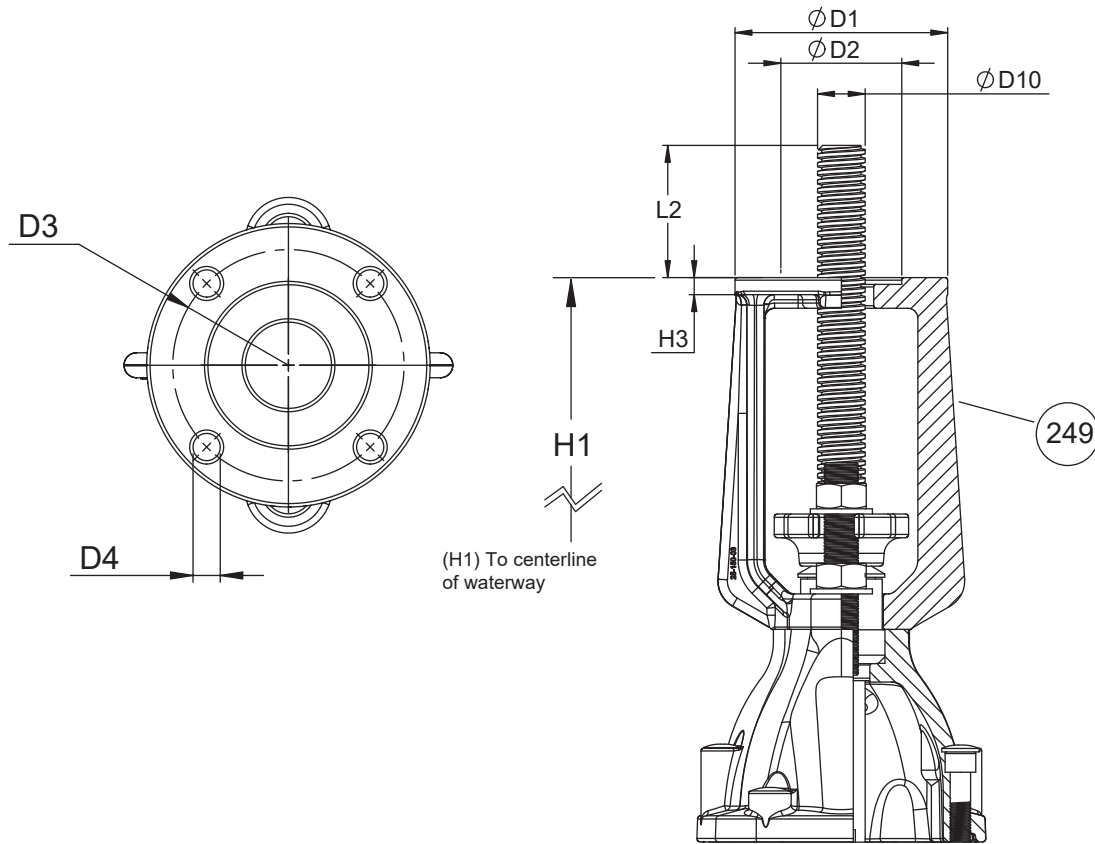


# AMERICAN AVK NRS RESILIENT SEATED GATE VALVE, WITH ACTUATOR PLATE

# OS&Y/ACT OS&Y ACTUATOR VALVES

-(OS&Y) - Series 45, - Valve Sizes 2.5" through 16"

Component List:  
249. Actuator Yoke



Valve Size	ISO Plate	Thread Type*	D1	D2	D3	D4	D10	H1	H3	L2 Open	L2 Closed
2½"	F10	M20x4	4.92"	2.80"	4.00"	0.47"	0.79"	12.51"	0.39"	4.98"	2.48"
3"	F10	M20x4	4.92"	2.80"	4.00"	0.47"	0.79"	13.15"	0.39"	5.48"	2.48"
4"	F10	M25x5	4.92"	2.80"	4.00"	0.47"	0.98"	15.39"	0.39"	7.25"	3.25"
6"	F10	M28x5	4.92"	2.80"	4.00"	0.47"	1.10"	21.19"	0.39"	9.81"	3.81"
8"	F14	M32x6	6.89"	3.98"	5.50"	0.71"	1.26"	27.03"	0.59"	11.97"	3.97"
10"	F14	M36x6	6.89"	3.98"	5.50"	0.71"	1.42"	32.28"	0.59"	14.52"	3.72"
12"	F14	M40x7	6.89"	3.98"	5.50"	0.71"	1.57"	37.34"	0.59"	16.16"	4.16"
14"	F14	M40x7	6.89"	3.98"	5.50"	0.71"	1.57"	49.53"	0.59"	20.90"	5.71"
16"	F14	M40x7	6.89"	3.98"	5.50"	0.71"	1.57"	50.10"	0.59"	20.90"	4.60"

\* Lefthand thread, to ( DIN 103 8c )

