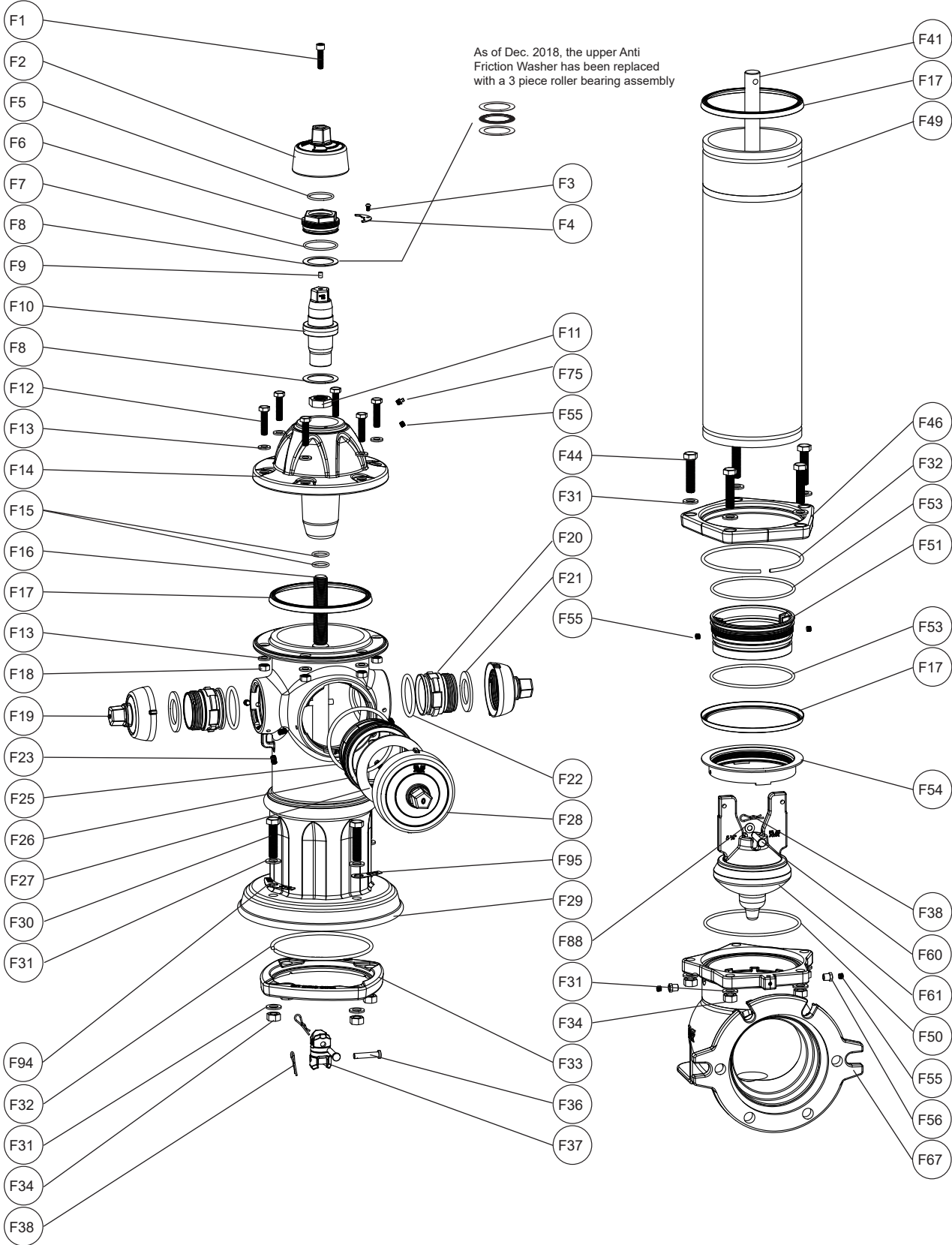


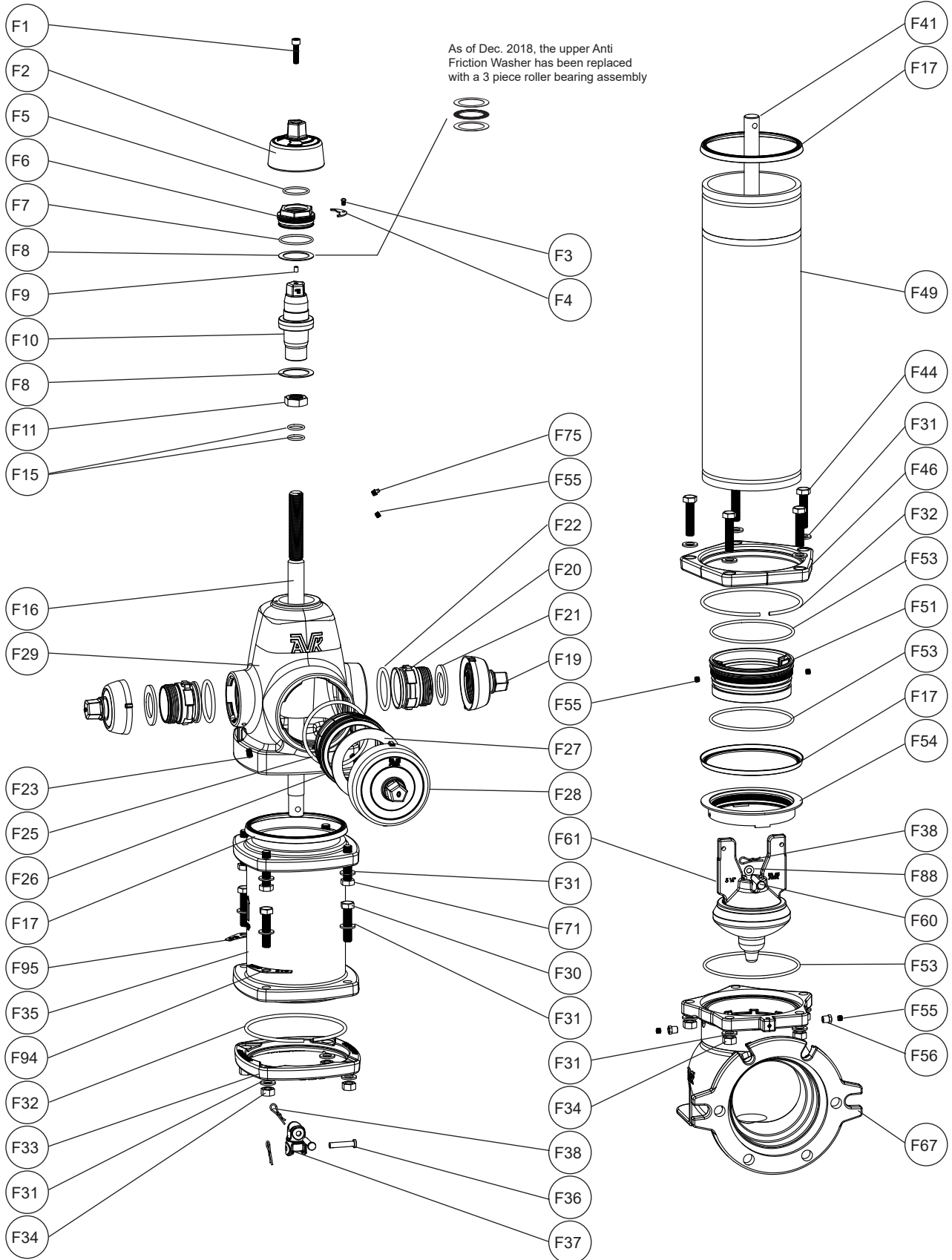
EXPECT SOLUTIONS,
NOT JUST
PRODUCTS

Expect... **AVK**

American AVK Series 2780 Nostalgic Hydrant Exploded Parts Breakdown



American AVK Series 2700 Modern Hydrant Exploded Parts Breakdown



Item No.	Description	Option Nos.	Series	Options	Optional Kits	List price
F1A	Weathershield Bolt	F1A-F1B		304 stainless steel is standard	F1 sold in packaged qty. (10) 1 is included in F2	50
F1B	Weathershield Bolt	F1A-F1B		316 stainless steel - optional	F1 sold in packaged qty. (10) 1 is included in F2	77
F2	Weathershield	F2A-F2AH		F2 has following options; Opening direction, Operating Nut, Material, grey iron - standard, ductile iron -optional. Kit includes 1 weathershield and 1 Weathershield Bolt.	N/A	50
F3	Lockplate Bolt	F3A		None	F3A sold in packaged qty. (12), F3 included in F4A Kit	20
F4	Lock Plate	F4A		None	F4A includes (10) F3 Lockplate Bolts, and (10) F4 Lockplates	56
F5	Inner Thrust Nut O-ring	F5A		None	F5A sold in pacaged qty. (10), F5 included in F6A Kit	18
F6	Thrust Nut	F6A		None	F6A includes 1 F6 Thrust Nut, 1 F5 Inner Thrust Nut O-ring, and 1 F7 Outer Thrust Nut O-ring	114
F7	Outer Thrust Nut O-ring	F7A		None	F7A sold in packaged qty. (10), also included in F6A Kit	30
F8	Anti Friction Washer	F8A		None	F8A sold in packaged qty. (20), also included in F10 Kit	34
F9	Lubrication Hole Seal	F9A		None	F9A sold in packaged qty. (10), also included in F10 Kit	14
F10A	Operating Nut	F10A-F10D		Opening direction	F10 includes (1) F10 Operating Nut, (1) F9 Lubrication Hole Seal, (2) F8 Anti Friction Washers, If Thrust Bearing is included, F10 includes (1) F10 Operating Nut, (1) F9 Lubrication Hole Seal, (1) F8 Anti Friction Washer, (1) Thrust Bearing, and (2) Bearing Races	348
F10C	Operating Nut	F10A-F10D		Opening direction, Thrust Bearing, (Torrington Type)	F10 includes (1) F10 Operating Nut, (1) F9 Lubrication Hole Seal, (2) F8 Anti Friction Washers, If Thrust Bearing is included, F10 includes (1) F10 Operating Nut, (1) F9 Lubrication Hole Seal, (1) F8 Anti Friction Washer, (1) Thrust Bearing, and (2) Bearing Races	398
F11	Stop Nut	F11A-F11B		Opening direction	F11 sold in packaged qty. (5)	36
F12A	Bonnet Bolt Kit	F12A-F12C		Zinc Plate	(6) Bonnet Bolts, (6) Nuts, (12) Washers	20
F12B	Bonnet Bolt Kit	F12A-F12C		304 Stainless steel	(6) Bonnet Bolts, (6) Nuts, (12) Washers	60
F12C	Bonnet Bolt Kit	F12A-F12C		316 Stainless steel	(6) Bonnet Bolts, (6) Nuts, (12) Washers	70
F13	Bonnet Washer	F13A-F13C		Zinc plate, 304, 316 stainless	Included in F12 Bonnet Bolt Kits	N/A
F14	Bonnet	F14A-F14B		Grease or Oil use	F14 includes (1) F14 Bonnet, (1) F55 Brass Plug for Oil filled, or (1) F75 Zerk Fitting for Grease filled	275
F15	Stem Seal O-rings	F15A		None	F15A sold in packaged qty. (8) Also included in F16 Kit	18
F16A	Upper Stem Rod, Open Left, 304 stainless steel	F16A-F16H		Opening direction, length, material	F16 includes (1) F16 Upper Stem Rod, (2) F15 Stem Seal O-ring, (1) F17 Barrel Gasket, (1) F11 Stop Nut, (1) F37 Breakable Coupling, (2) F36 Coupler Pin, (2) F38 Springpin	552
F16C	Upper Stem Rod, Open Left, 316 stainless steel	F16A-F16H		Opening direction, length, material	F16 includes (1) F16 Upper Stem Rod, (2) F15 Stem Seal O-ring, (1) F17 Barrel Gasket, (1) F11 Stop Nut, (1) F37 Breakable Coupling, (2) F36 Coupler Pin, (2) F38 Springpin	778
F17	Barrel Gasket	F17A		None	F17 sold in packaged qty.(2), also included in F16 Kit, F47 Kit, F51 Kit, and F61 Kit	85
F18	Bonnet Nut	F18A-F18C		Zinc plate, 304, 316 stainless	Included in F12 Bonnet Bolt Kits	N/A
F19	Hose Nozzle Cap	F19A-F19K		Operating Nut, Thread type, Chain Grooves	F19 includes (1) F19 Hose Nozzle Cap, (1) F21 Hose Nozzle Cap Gasket	89
F19XX	2.5" Storz Cap Assy.			Operating Nut, Chain Grooves	F19XX includes (1) F19 2.5" Storz, Hose Nozzle Cap, (1) F92 2.5" Inner Storz Cap O-ring	562
F20	Hose Nozzle	F20A-F20BA		Thread type	F20 includes (1) F20 Hose Nozzle, (1) F22 Hose Nozzle O-ring, and (2) F23 Set Screws	170
F20X	2.5" Storz Nozzle Assy.	F20X		None	F20X includes (1) 2.5" Storz Nozzle, (1) F22 Hose Nozzle O-ring, (1) 2.5" Storz Nozzle O-ring, (2) F23 Set Screws	601
F21	Hose Nozzle Cap Gasket	F21A		None	F21 sold in packaged Qty. (10), also included in F19 Kit	67
F22	Hose Nozzle O-ring	F22A		None	F22 sold in packaged Qty. (10), also included in F20 Kit	64
F23**	Set Screw - (Nozzle)	F23A		None	F23 sold in packaged Qty. (12), also included in F20 Kit	
F24A*	Chain Set - Triple	F23A		None	F24 packaged for three outlet hydrant, includes chains, shooks and cap fasteners.	48
F24B*	Chain Set - Double	F23B		None	F24 packaged for two outlet hydrant, includes chains, shooks and cap fasteners.	32
F24C*	Chain Set - Single	F23C		None	F24 packaged for one outlet hydrant, includes chains, shooks and cap fasteners.	18
F25	Pumper Nozzle O-ring	F25A		None	F25 sold in packaged Qty. (10), also included in F26 Kit	60
F26	Pumper Nozzle	F26A-F26BZ		Thread type	F26 includes (1) F26 Pumper Nozzle, (1) F25 Pumper Nozzle O-ring, (1) F23 Set Screw	382
F26B	4" Storz Nozzle Assy.	F26B		None	F26B includes (1) 4" Storz Nozzle, (1) F73 Nozzle O-ring, (1) Cap O-ring, (1) Weather O-ring, (2) F23 Set Screws	685
F26E	5" Storz Nozzle Assy.	F26E		None	F26E includes (1) 5" Storz Nozzle, (1) F73 Nozzle O-ring, (1) Cap O-ring, (1) Weather O-ring, (2) F23 Set Screws	975
F27	Pumper Cap Gasket	F27A-F27C		Size	F27 sold in packaged Qty. (10), also included in F28 Kit	170
F28	Pumper Cap	F28A-F28EV		Operating Nut, Thread type, Chain grooves	F28 includes (1) F28 Pumper Cap, (1) F27 Pumper Cap Gasket	100
F28XX	4" Storz Pumper Cap	F28XX		Operating Nut, Chain grooves	F28XX includes (1) F28 4" Storz Pumper Cap, (1) F27 Pumper Cap O-ring	194
F28XX	5" Storz Pumper Cap	F28XX		Operating Nut, Chain grooves	F28XX includes (1) F28 5" Storz Pumper Cap, (1) F27 Pumper Cap O-ring	???

Please provide hydrant serial number when ordering as part numbers vary from model to model.

Please note, if you want caps or other parts painted other than primer, there will be a \$200.00 adder. Lead times will also be 1-2 weeks from confirmation of order.

Use Hydrant Parts Discount

Item No.	Description	Option Series Nos.	Options	Optional Kits	List price
F29	Nozzle Section - Nostalgic	F29A-F29H	Outlet configuration	Sold individually	1056
F29D	Nozzle Section - Modern	F29A-F29H	Outlet configuration	Sold individually	800
F30	Nozzle Section Bolt	F30A	Zinc plate	F30 includes (4) F30 Nozzle Section Bolts, (8) F31 Nozzle Section Washers, (4) F34 Nozzle Section Nuts	35
F30	Nozzle Section Bolt	F30B	304 Stainless steel	F30 includes (4) F30 Nozzle Section Bolts, (8) F31 Nozzle Section Washers, (4) F34 Nozzle Section Nuts	70
F30	Nozzle Section Bolt	F30C	316 Stainless steel	F30 includes (4) F30 Nozzle Section Bolts, (8) F31 Nozzle Section Washers, (4) F34 Nozzle Section Nuts	100
F31	Nozzle Section Washer	F31A	Zinc plate	F31 sold in packaged qty. (12), also included in F30 Kit	10
F31	Nozzle Section Washer	F31B	304 Stainless steel	F31 sold in packaged qty. (12), also included in F30 Kit	25
F31	Nozzle Section Washer	F31C	316 Stainless steel	F31 sold in packaged qty. (12), also included in F30 Kit	40
F32	Lock Ring	F32A	None	F32 sold in packaged Qty.(2), also included in Traffic Repair Kit, Extension Kits, and Monitor Elbow Kits	64
F33	Traffic Repair Kit (Breakable Flange included)	F33A	None	F33 included in Traffic Repair Kit	N/A
F34	Nozzle Section Nut	F31A-F31E	F34A, Zinc plate, M16 threads	F34 sold in packaged qty. (12), also included in F30 Kit	15
F34	Nozzle Section Nut	F31A-F31E	F34B, 304 Stainless steel, M16 threads	F34 sold in packaged qty. (12), also included in F30 Kit	45
F34	Nozzle Section Nut	F31A-F31E	F34C, 304 Stainless steel, 5/8" threads	F34 sold in packaged qty. (12), also included in F30 Kit	40
F34	Nozzle Section Nut	F31A-F31E	F34D, 316 Stainless steel, M16 threads	F34 sold in packaged qty. (12), also included in F30 Kit	55
F34	Nozzle Section Nut	F31A-F31E	F34E, 316 Stainless steel, 5/8" threads	F34 sold in packaged qty. (12), also included in F30 Kit	51
F35	Upper Barrel	F35A	Height - 12"	Sold individually	??
F35	Upper Barrel	F35B	Height - 18"	Sold individually	75
F35	Upper Barrel	F35C	Height - 30"	Sold individually	??
F35	Upper Barrel	F35D	Height - 16"	Sold individually	51
F35	Upper Barrel	F35E	Height - 22"	Sold individually	102
F36	Coupler Pin	F36A	None	F36 Kit includes (10) F36 Coupler Pin, (10) F38 Springpin, also included in F16 Kit, F37 Kit,	183
F37	Breakable Coupling	F37A	None	F37 includes (1) F37 Breakable Coupling, (2) F36 Coupler Pin, and (2) F38 Springpin	120
F38	Spring Pin	F38A	None	Included in Kits F16,F36,F37,F41,F60, and F61	N/A
F41	Lower Stem Rod	F41A-F41DL	Length, Material - Carbon steel, 304 Stainless steel, 316 Stainless steel, Copper alloy	F41 includes (1) F41 Lower Stem Rod, (1) F38 Springpin, (1) F60 Main Valve Retaining Pin, (1) F88 Main Valve Retaining Pin Washer	POA
F42	Extension Coupling Kit	F42A-F42D	Coupling Type, Material	F42 includes (1) F42 37 Breakable Coupling, (2) F36 Coupler Pins, (2) F38 Spring Pins	92
F44	5 Bolt Base Bolt Kit	F44A-F44?	Material, Threads????	F44 includes (5) F44 5 Bolt Base Bolts, (10) F31 Nozzle Section Washers, (5) F34 Nozzle Section Nuts	???
F46A	Standpipe Flange - 4 Bolt	F46A-F46B	Number of bolt holes	F46 sold individually. Included in Extension Kits, and Monitor Elbow Kits	57
F46B	Standpipe Flange - 5 Bolt	F46A-F46B	Number of bolt holes	F46 sold individually. Included in Extension Kits, and Monitor Elbow Kits	68
F47A	Monitor Elow Kit - 3" ANSI Flange	F47A-F47B	Flange size	F47 includes (1) F47 Monitor Elbow, (2) F17 Barrel Gasket, (2) F32 Lock Ring, (1) F46 Standpipe Flange	925
F47B	Monitor Elow Kit - 4" ANSI Flange	F47A-F47B	Flange size	F47 includes (1) F47 Monitor Elbow, (2) F17 Barrel Gasket, (2) F32 Lock Ring, (1) F46 Standpipe Flange	894
F50	Main Valve Flange O-rings	F50A	None	F50A sold in packaged qty. (2)	16
F51A	Valve Seat Ring - 4 Bolt	F51A-F51G	Old style - 4 Bolt, Plugged, un-plugged	F51 includes (1) F51 Valve Seat Ring, (1) F17 Barrel Gasket, (2) F53 Valve Seat O-ring	626
F51D	Valve Seat Ring - 5 Bolt	F51A-F51G	New style - 5 Bolt, Plugged, un-plugged	F51 includes (1) F51 Valve Seat Ring, (1) F17 Barrel Gasket, (2) F53 Valve Seat O-ring	873
F53	Valve Seat Ring O-rings	F53A	None	F53 sold in packaged Qty.(10), also included in F51, and F61 Kits	38
F54	Drain Ring	F54A	None	Contact AVK Sales Representative	N/A
F55	Brass Plug	F55A	None	F55 sold in packaged Qty. (10)	36
F56	Brass Fitting	F55A	None	Contact AVK Sales Representative	34
F57A	Main Valve Flange	F57A-F57B	Main Valve Flange Less Drain Ring	Contact AVK Sales Representative	126
F57B	Main Valve Flange	F57A-F57B	Main Valve Flange With Drain Ring	Contact AVK Sales Representative	358
F60	Main Valve Retaining Pin	F60A	None	F60 includes (1) F60 Main Valve Retaining Pin, (1) F88 Main Valve Retaining Pin Washer, and (1) F38 Springpin	200
F61B	Main Valve	F61A-F61B	Hydroflo	F61 Kit includes (1) F17 Barrel Gasket, (1) F38 Springpin, (2) F53 Main Valve Seat O-rings, (1) F60 Main Valve Retaining Pin, (1) F61 Main Valve and (1) F88 Main Valve Retaining Pin Washer	200
F67	Base	F67A-F67K	Size, Flange Config.	Contact AVK Sales Representative	550

Please provide hydrant serial number when ordering as part numbers vary from model to model.

Please note, if you want caps or other parts painted other than primer, there will be a \$200.00 adder. Lead times will also be 1-2 weeks from confirmation of order.

Use Hydrant Parts Discount

Item No.	Description	Option Nos.	Series	Options	Optional Kits	List price
F69	Thrust Bearing	F69A		None	F69 Kit includes (1) F69 Thrust Bearing, (2) F70 Bearing Race, F69 Kit is also included in F10 Kits that have Thrust Bearing.	76
F71	Modern Nozzle Section Bolt Kit	F71A		Zinc Plated	F71 includes (4) F71 Modern Nozzle Section Bolts, (4) F31 Nozzle section Washers	25
F71	Modern Nozzle Section Bolt Kit	F71B		304 Stainless steel	F71 includes (4) F71 Modern Nozzle Section Bolts, (4) F31 Nozzle section Washers	70
F71	Modern Nozzle Section Bolt Kit	F71C		316 Stainless steel	F71 includes (4) F71 Modern Nozzle Section Bolts, (4) F31 Nozzle section Washers	120
F73	2.5" Strz Nozzle O-ring	F73A		2.5"	F73 Sold in packaged Qty. (10)	30
F73	4" Strz Nozzle O-ring	F73B		4"	F73 Sold in packaged Qty. (10)	41
F73	5" Strz Nozzle O-ring	F73C		5"	F73 Sold in packaged Qty. (10)	55
F75	Zerk Fitting	F75A		None	F75 sold in packaged Qty. (10), also included in F14 Kit	16
F88	Main Valve Retaining Pin Washer	F88A		None	F88 included in F16, F60, and F61 Kits	5
F-GREASE	Hydrant Grease Cartridge	F-GREASE		None	Sold individually	60
F-OIL	Hydrant Oil, 8 Oz. Bottle	F-OIL		None	Sold individually	30

Please provide hydrant serial number when ordering as part numbers vary from model to model.

Please note, if you want caps or other parts painted other than primer, there will be a \$200.00 adder. Lead times will also be 1-2 weeks from confirmation of order.

Use Hydrant Parts Discount

