

AMERICAN AVK RESILIENT SEATED DUCTILE IRON GATE VALVE 45/PPN-WD
250/350 PSI, Tested to AWWA C509 / C515 (NRS)
Push-on Joint End x Push-on Joint End (TYTON) - Valve sizes 4" - 12" and 16"
POxPO

Use:
 For water and neutral liquids to maximum 160°F.

Tests:
 Hydraulic test to AWWA C509:
 Shell Test: 700 PSI 3"-12"
 Seat Test: 350 PSI 3"-12"
 Shell Test: 500 PSI 16"
 Seat Test: 250 PSI 16"
 Operating Torque Test


Optional Materials:


Wedge	Ductile iron ASTM A536 encapsulated with NBR-rubber compound
Stem	304 stainless steel

Standard Materials:

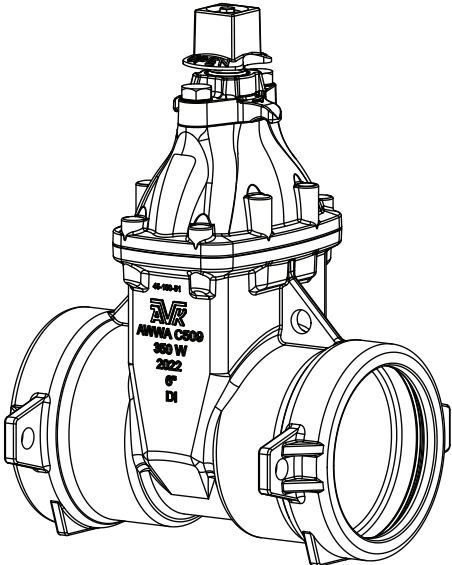
Body, Bonnet, Gland Flange, Wrench Nut	Ductile iron ASTM A536 (Wrench Nut-painted black for open left, red for open right)
Coating	Electrostatically applied fusion-bonded epoxy-resin Meets or exceeds AWWA C550
Stem	Standard: Stainless steel 430F
Wedge	Ductile iron ASTM A536 encapsulated with EPDM-rubber compound
Wedge Nut, Thrust Collar	Bronze
Bonnet Bolts	Stainless Steel - 316 sealed with hot melt
Gland Bolts	Stainless Steel - 316 Hexagon bolt
Bonnet Gasket, Wiper Ring, O-Ring Stem Seals, O-Ring Gland Seal	ASTM D2000 Buna "N" nitrile rubber

Approvals:


Certified to NSF/ANSI 61


Certified to NSF/ANSI 372

Certified to: ANSI/NSF 61, ANSI/NSF 372

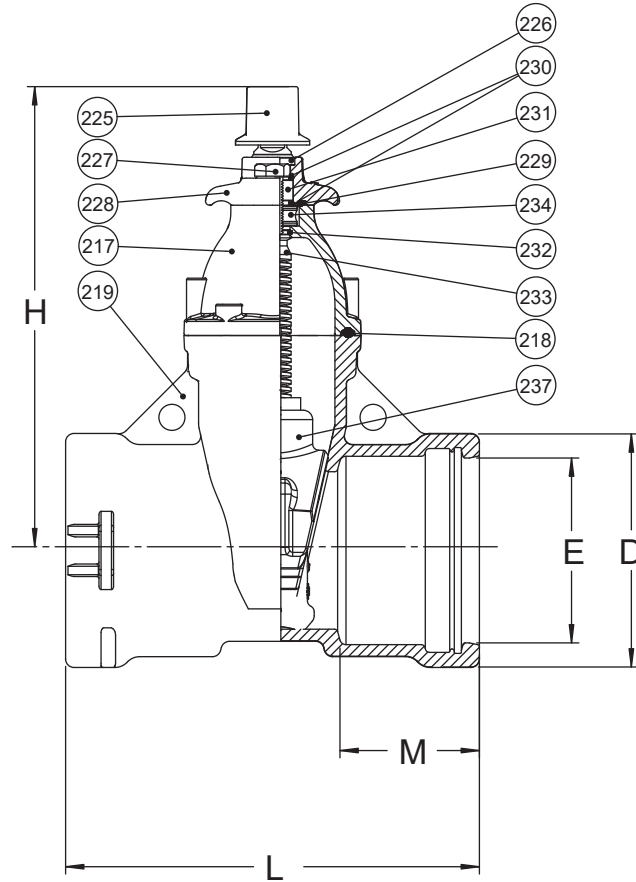


AMERICAN AVK RESILIENT SEATED DUCTILE IRON GATE VALVE
250/350 PSI, Tested to AWWA C509 / C515 (NRS)
Push-on Joint End x Push-on Joint End (TYTON) - Valve sizes 4" - 12" and 16"

45/PPN-WD
POxPO

Component List:

- | | | |
|--------------------|------------------------------|-----------------------------|
| 217. Bonnet | 227. Gland Flange Bolt | 232. Lower Stem Seal O-Ring |
| 218. Bonnet Gasket | 228. Gland Flange | 233. NRS Stem |
| 219. Body | 229. Gland O-Ring | 234. Thrust Collar |
| 225. Wrench Nut | 230. Upper Stem Seal O-Rings | 237. Wedge |
| 226. Wiper Ring | 231. Stem Seal Bushing | |



Ref No.	Size	Working Pressure	D	E	H	L	M	Turns to Open	Weight (lbs.)
45-100-PPN-WD	4"	350	6.66"	4.93"	13.50"	11.99"	4.12"	14	57
45-150-PPN-WD	6"	350	8.84"	7.03"	17.50"	15.63"	5.22"	20	97
45-200-PPN-WD	8"	350	11.23"	9.18"	21.50"	17.17"	5.63"	26	157
45-250-PPN-WD	10"	350	13.50"	11.22"	24.75"	17.64"	5.63"	32	227
45-300-PPN-WD	12"	350	15.74"	13.32"	27.75"	19.21"	5.63"	38	391
45-400-PPN-WD	16"	250	20.62"	17.50"	34.75"	22.72"	6.00"	51	982

