

**AMERICAN AVK RESILIENT SEATED DUCTILE IRON GATE VALVE 45/MFN-WD**  
**250/350 PSI, Tested to AWWA C509 / C515 (NRS) MJxFL**  
**Mechanical Joint by Flanged Ends to ASME B16.42 Class 150 - Valve Sizes 3" - 16"**

**Use:**  
 For water and neutral liquids to maximum 160°F.

**Tests:**  
 Hydraulic test to AWWA C509:  
 Shell Test: 700 PSI 3"-12"  
 Seat Test: 350 PSI 3"-12"  
 Shell Test: 500 PSI 14"-16"  
 Seat Test: 250 PSI 14"-16"  
 Operating Torque Test


**Optional Materials:**


Wedge	Ductile iron ASTM A536 encapsulated with NBR-rubber compound
Stem	304 stainless steel

**Standard Materials:**

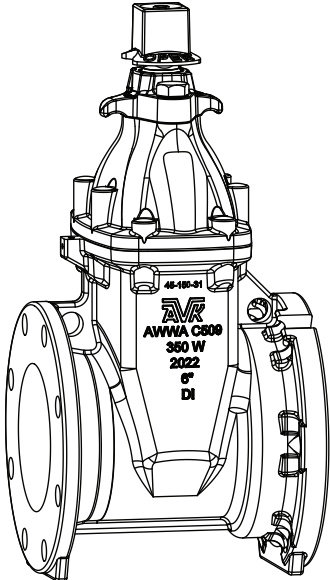
Body, Bonnet, Gland Flange, Wrench Nut	Ductile iron ASTM A536 (Wrench Nut-painted black for open left, red for open right)
Coating	Electrostatically applied fusion-bonded epoxy-resin Meets or exceeds AWWA C550
Stem	Standard: Stainless steel 430F
Wedge	Ductile iron ASTM A536 encapsulated with EPDM-rubber compound
Wedge Nut, Thrust Collar	Bronze
Bonnet Bolts	Stainless Steel - 316 sealed with hot melt
Gland Bolts	Stainless Steel - 316 Hexagon bolt
Bonnet Gasket, Wiper Ring, O-Ring Stem Seals, O-Ring Gland Seal	ASTM D2000 Buna "N" nitrile rubber

**Approvals:**

  
Certified to NSF/ANSI 61

  
Certified to NSF/ANSI 372

Certified to: ANSI/NSF 61, ANSI/NSF 372



# AMERICAN AVK RESILIENT SEATED DUCTILE IRON GATE VALVE

45/MFN-WD

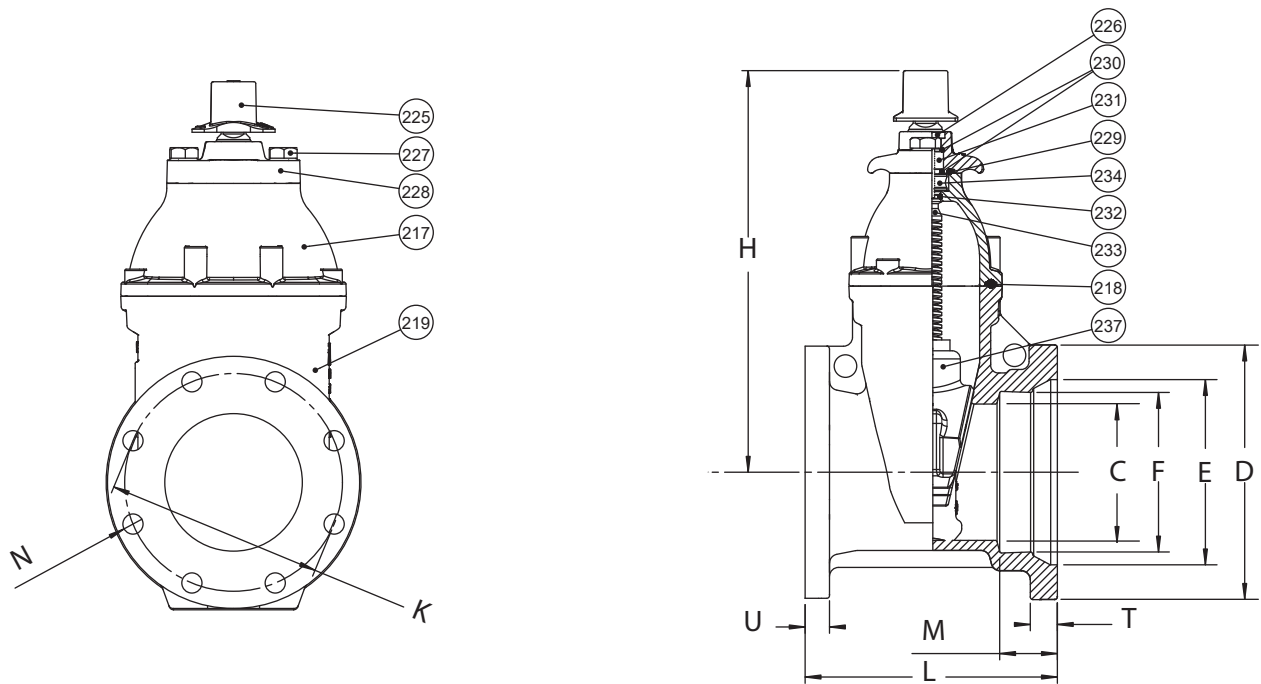
250/350 PSI, Tested to AWWA C509 / C515 (NRS)

MJxFL

Mechanical Joint by Flanged Ends to ASME B16.42, Class 150 - Valve Sizes 3" - 16"

### Component List:

- |                    |                              |                             |
|--------------------|------------------------------|-----------------------------|
| 217. Bonnet        | 227. Gland Flange Bolt       | 232. Lower Stem Seal O-Ring |
| 218. Bonnet Gasket | 228. Gland Flange            | 233. NRS Stem               |
| 219. Body          | 229. Gland O-Ring            | 234. Thrust Collar          |
| 225. Wrench Nut    | 230. Upper Stem Seal O-Rings | 237. Wedge                  |
| 226. Wiper Ring    | 231. Stem Seal Bushing       |                             |



Ref No.	Size	Working Pressure											Flange Holes	Turns to Open	Wt. (lbs.)	
			C	D	E	F	K	H	L	M	N	T				U
45-080-MFN-WD	3"	350	3.25"	7.69"	4.96"	4.08"	6.00"	12.09"	9.0"	2.50	0.75"	1.00"	0.88"	4	12	43
45-100-MFN-WD	4"	350	4.25"	9.12"	6.02"	4.90"	7.50"	13.50"	9.0"	2.50	0.75"	1.00"	1.00"	8	14	62
45-150-MFN-WD	6"	350	6.25"	11.12"	8.12"	7.00"	9.50"	17.50"	10.50"	2.50	0.88"	1.18"	1.06"	8	20	103
45-200-MFN-WD	8"	350	8.25"	13.37"	10.27"	9.15"	11.75"	21.50"	11.50"	2.50	0.88"	1.24"	1.14"	8	26	155
45-250-MFN-WD	10"	350	10.25"	15.69"	12.34"	11.20"	14.25"	24.75"	13.00"	2.50	1.00"	1.14"	1.22"	12	32	240
45-300-MFN-WD	12"	350	12.25"	17.88"	14.44"	13.30"	17.00"	27.63"	14.00"	2.50	1.00"	1.22"	1.30"	12	38	337
45-350-MFN-WD	14"	250	14.25"	20.31"	16.61"	15.50"	18.75"	35.75"	17.50"	3.50	1.13"	1.32"	1.40"	12	51	840
45-400-MFN-WD	16"	250	16.25"	22.56"	18.64"	16.12"	21.25"	34.75"	17.00"	3.50	1.13"	1.34"	1.44"	16	51	820

