

**AMERICAN AVK RESILIENT SEATED DUCTILE IRON GATE VALVE 65/PPN-WD**  
**250 PSI, Tested to AWWA C515 (NRS)**  
**Push-on Joint End x Push-on Joint End (TYTON) - Valve sizes 4" - 12"**  
**POxPO**

**Use:**  
 For water and neutral liquids to maximum 160°F.

**Tests:**  
 Hydraulic test to AWWA C515:  
 Shell Test: 500 PSI  
 Seat Test: 250 PSI  
 Operating Torque Test

**Optional Materials:**


Wedge	Ductile iron ASTM A536 encapsulated with NBR-rubber compound
-------	--


**Standard Materials:**

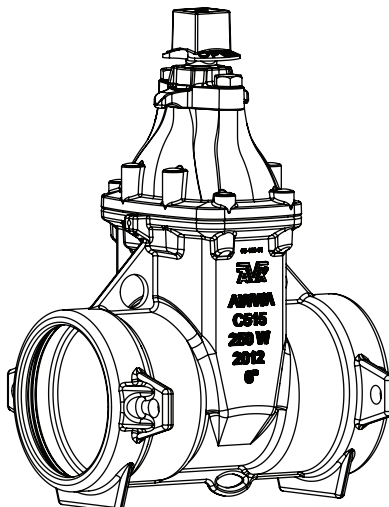
Body, Bonnet, Gland Flange, Wrench Nut	Ductile iron ASTM A536 (Wrench Nut-painted black for open left, red for open right)
Coating	Electrostatically applied fusion-bonded epoxy-resin Meets or exceeds AWWA C550
Stem	Standard: Stainless steel 430F
Wedge	Ductile iron ASTM A536 encapsulated with EPDM-rubber compound
Wedge Nut, Thrust Collar	Bronze
Bonnet Bolts	Stainless Steel - 316 sealed with hot melt
Gland Bolts	Stainless Steel - 316 Hexagon bolt
Bonnet Gasket, Wiper Ring, O-Ring Stem Seals, O-Ring Gland Seal	ASTM D2000 Buna "N" nitrile rubber

**Approvals:**

Certified to: ANSI/NSF 61, ANSI/NSF 372

  
Certified to  
NSF/ANSI 61

  
Certified to  
NSF/ANSI 372



# AMERICAN AVK RESILIENT SEATED DUCTILE IRON GATE VALVE

65/PPN-WD

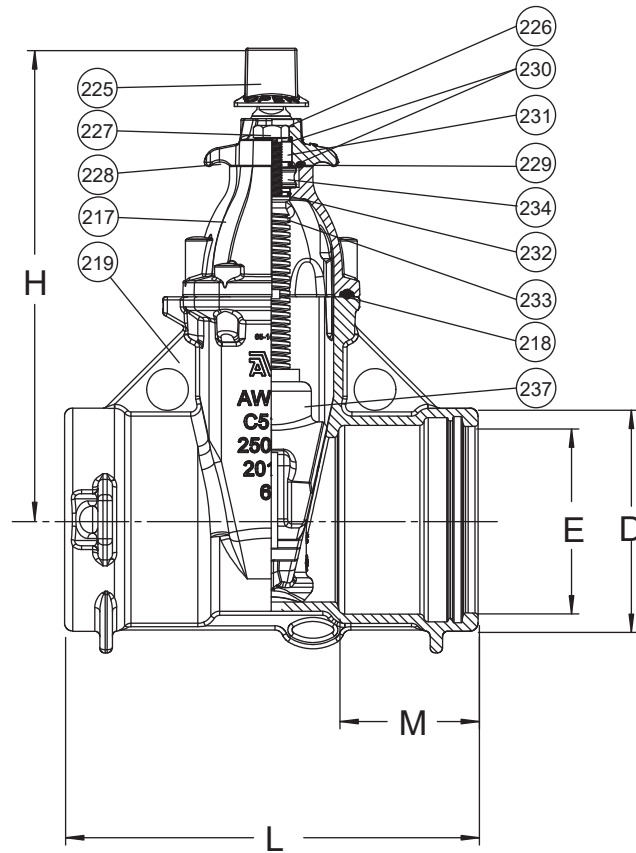
250 PSI, Tested to AWWA C515 (NRS)

POxPO

Push-on Joint End x Push-on Joint End (TYTON) - Valve sizes 4" - 12"

Component List:

- |                    |                              |                             |
|--------------------|------------------------------|-----------------------------|
| 217. Bonnet        | 227. Gland Flange Bolt       | 232. Lower Stem Seal O-Ring |
| 218. Bonnet Gasket | 228. Gland Flange            | 233. NRS Stem               |
| 219. Body          | 229. Gland O-Ring            | 234. Thrust Collar          |
| 225. Wrench Nut    | 230. Upper Stem Seal O-Rings | 237. Wedge                  |
| 226. Wiper Ring    | 231. Stem Seal Bushing       |                             |



Ref No.	Size	D	E	H	L	M	Turns to Open	Weight (lbs.)
65-100-PPN-WD	4"	6.32"	4.96"	14.25"	11.99"	4.12"	16	56
65-150-PPN-WD	6"	8.44"	7.06"	18.04"	15.63"	5.22"	21	95
65-200-PPN-WD	8"	10.72"	9.22"	22.36"	17.17"	5.63"	27	142
65-250-PPN-WD	10"	12.80"	11.28"	25.39"	17.64"	5.63"	33	212
65-300-PPN-WD	12"	14.96"	13.38"	28.49"	19.21"	5.63"	39	287

