

AMERICAN AVK RESILIENT SEATED DUCTILE IRON GATE VALVE 65/MFN-WD
250 PSI, Tested to AWWA C515 (NRS) MJxFL
Mechanical Joint by Flanged Ends to ASME B16.42 Class 150 - Valve Sizes 3" - 12"

Use:

For water and neutral liquids to maximum 160°F.

Tests:

Hydraulic test to AWWA C515:

Shell Test: 500 PSI

Seat Test: 250 PSI

Operating Torque Test

Optional Materials:

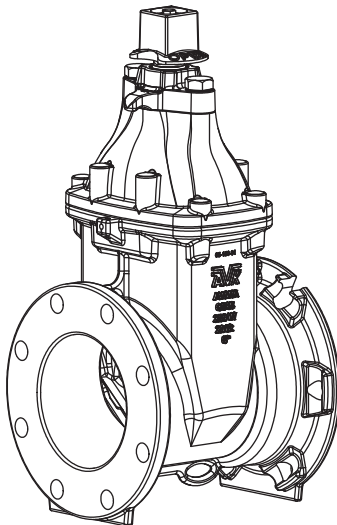
Wedge Ductile iron ASTM A536
 encapsulated with NBR-rubber
 compound

Standard Materials:

Body, Bonnet, Gland Flange, Wrench Nut	Ductile iron ASTM A536 (Wrench Nut-painted black for open left, red for open right)
Coating	Electrostatically applied fusion- bonded epoxy-resin Meets or exceeds AWWA C550
Stem	Standard: Stainless steel 430F
Wedge	Ductile iron ASTM A536 encapsulated with EPDM-rubber compound
Wedge Nut, Thrust Collar	Bronze
Bonnet Bolts	Stainless Steel - 316 sealed with hot melt
Gland Bolts	Stainless Steel - 316 Hexagon bolt
Bonnet Gasket, Wiper Ring, O-Ring Stem Seals, O-Ring Gland Seal	ASTM D2000 Buna "N" nitrile rubber

Approvals:

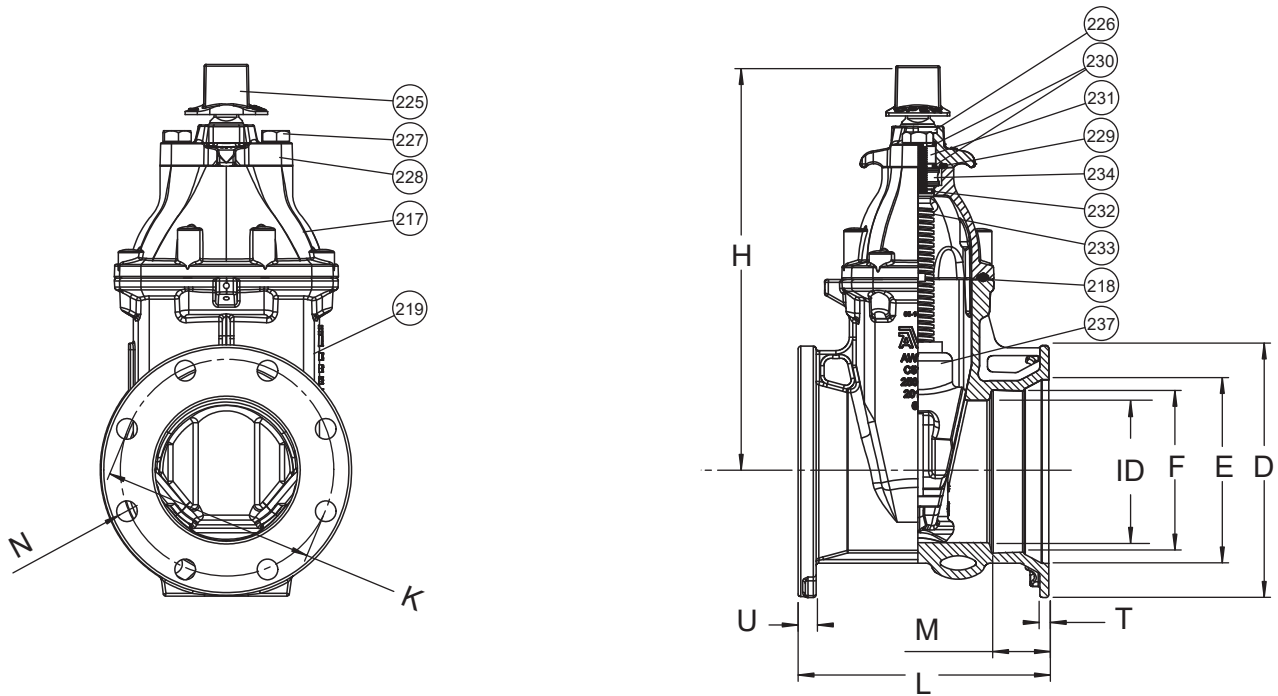
Certified to: ANSI/NSF 61, ANSI/NSF 372



AMERICAN AVK RESILIENT SEATED DUCTILE IRON GATE VALVE 65/MFN-WD
250 PSI, Tested to AWWA C515 (NRS) MJxFL
Mechanical Joint by Flanged Ends to ASME B16.42, Class 150 - Valve Sizes 3" - 12"

Component List:

217. Bonnet	227. Gland Flange Bolt	232. Lower Stem Seal O-Ring
218. Bonnet Gasket	228. Gland Flange	233. NRS Stem
219. Body	229. Gland O-Ring	234. Thrust Collar
225. Wrench Nut	230. Upper Stem Seal O-Rings	237. Wedge
226. Wiper Ring	231. Stem Seal Bushing	



Ref No.	Size/ID	D	E	F	K	H	L	M	N	T	U	Flange Holes	Turns to Open	Weight (lbs.)
65-080-MFN-WD	3"/3.13"	7.69"	4.96"	4.08"	6.00"	12.24"	8.25"	2.50	0.75"	0.65"	0.79"	4	14	42
65-100-MFN-WD	4"/4.25"	9.13"	6.02"	4.90"	7.50"	13.82"	9.50"	2.50	0.75"	0.39"	0.79"	8	16	54
65-150-MFN-WD	6"/6.25"	11.11"	8.12"	7.00"	9.50"	17.42"	11.00"	2.50	0.88"	0.39"	0.79"	8	21	95
65-200-MFN-WD	8"/8.25"	13.37"	10.27"	9.15"	11.75"	21.90"	11.50"	2.50	0.88"	0.47"	0.91"	8	27	139
65-250-MFN-WD	10"/10.25"	15.71"	12.34"	11.20"	14.25"	25.21"	13.00"	2.50	1.00"	0.47"	0.98"	12	33	199
65-300-MFN-WD	12"/12.25"	17.88"	14.44"	13.30"	17.00"	27.63"	14.00"	2.50	1.00"	0.50"	1.04"	12	41	297

