

AMERICAN AVK RESILIENT SEATED DUCTILE IRON GATE VALVE
250 PSI, Tested to AWWA C515 (NRS)
Flanged Ends to ASME B16.42 Class 150 - Valve sizes 2.5" - 12"

65/FFN-WD
FLxFL

Use:

For water and neutral liquids to maximum 160°F.

Tests:

Hydraulic test to AWWA C515:

Shell Test: 500 PSI

Seat Test: 250 PSI

Operating Torque Test

Optional Materials:

Wedge Ductile iron ASTM A536
 encapsulated with NBR-rubber
 compound

Standard Materials:

Body, Bonnet,
 Gland Flange,
 Wrench Nut Ductile iron ASTM A536
 (Wrench Nut-painted black for
 open left, red for open right)

Coating Electrostatically applied fusion-
 bonded epoxy-resin
 Meets or exceeds AWWA C550

Stem Standard: Stainless steel 430F

Wedge Ductile iron ASTM A536
 encapsulated with EPDM-rubber
 compound

Wedge Nut, Thrust Collar Bronze

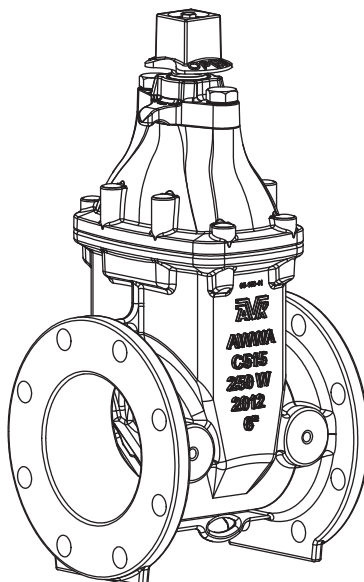
Bonnet Bolts Stainless Steel - 316 sealed with
 hot melt

Gland Bolts Stainless Steel - 316
 Hexagon bolt

Bonnet Gasket,
 Wiper Ring,
 O-Ring Stem Seals,
 O-Ring Gland Seal ASTM D2000 Buna "N" nitrile
 rubber

Approvals:

Certified to: ANSI/NSF 61, ANSI/NSF 372

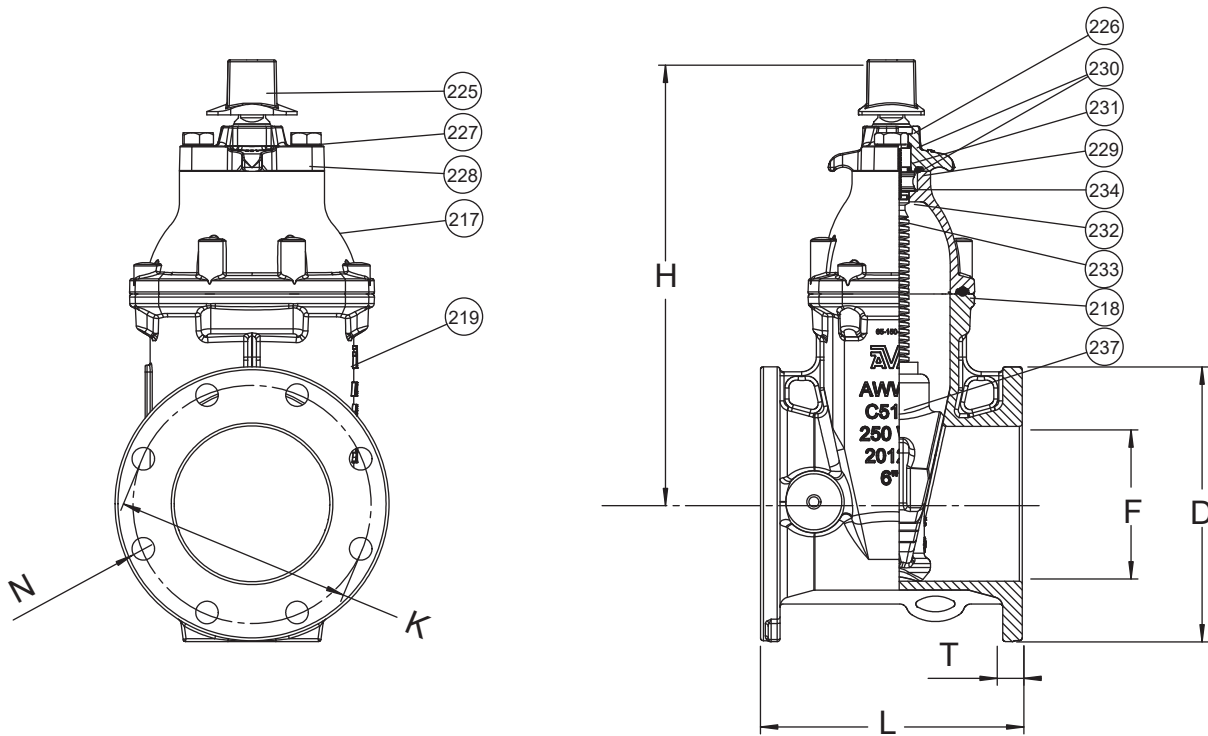


AMERICAN AVK RESILIENT SEATED DUCTILE IRON GATE VALVE
250 PSI, Tested to AWWA C515 (NRS)
Flanged Ends to ASME B 16.42 Class 150 - Valve sizes 2.5" - 12"

65/FFN-WD
FLxFL

Component List:

- | | | |
|--------------------|------------------------------|-----------------------------|
| 217. Bonnet | 227. Gland Flange Bolt | 232. Lower Stem Seal O-Ring |
| 218. Bonnet Gasket | 228. Gland Flange | 233. NRS Stem |
| 219. Body | 229. Gland O-Ring | 234. Thrust Collar |
| 225. Wrench Nut | 230. Upper Stem Seal O-Rings | 237. Wedge |
| 226. Wiper Ring | 231. Stem Seal Bushing | |



Ref No.	Size	D	F	H	K	L	N	T	Flange Holes	Turns to Open	Weight (lbs.)
65-065-FFN-WD	2.5"	7.00"	2.63"	12.09"	5.50"	7.50"	0.75"	0.69"	4	12	38
65-080-FFN-WD	3"	7.50"	3.13"	12.28"	6.00"	8.00"	0.75"	0.79"	4	14	46
65-100-FFN-WD	4"	9.00"	4.25"	13.82"	7.50"	9.00"	0.75"	0.79"	8	16	62
65-150-FFN-WD	6"	11.00"	6.25"	17.81"	9.50"	10.50"	0.88"	0.79"	8	21	103
65-200-FFN-WD	8"	13.50"	8.25"	21.83"	11.75"	11.50"	0.88"	0.91"	8	27	146
65-250-FFN-WD	10"	16.00"	10.25"	25.06"	14.25"	13.00"	1.00"	0.97"	12	33	224
65-300-FFN-WD	12"	19.00"	12.25"	27.96"	17.00"	14.00"	1.00"	1.04"	12	39	310

