

**AVK CONCENTRIC BUTTERFLY VALVE
WITH VULCANIZED LINER, CLASS 150B&250B - ABOVE GROUND
Mechanical Joint Ends - Valve Sizes 4" - 24"**



**816/BFV/ROT/GB
MJxMJ**

Use:
For water to maximum 160°F.

Tests:
Hydraulic tests to AWWA C504:

	150B	250B
Shell Test:	300 PSI	500 PSI
Seat Test:	150 PSI	250 PSI

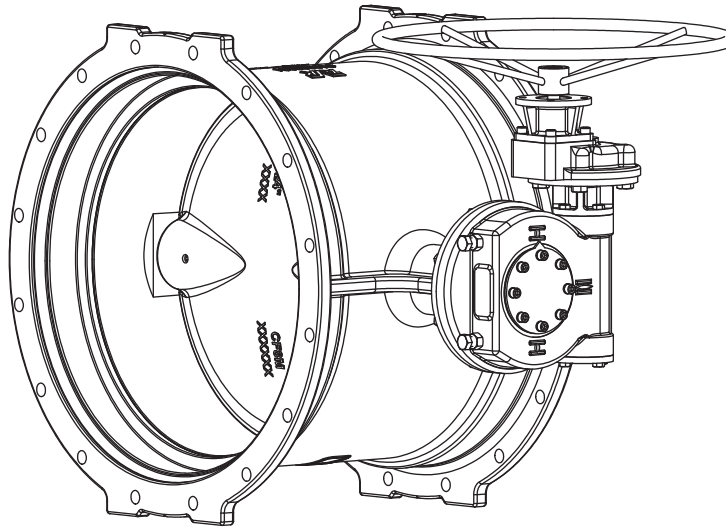
Approvals:
Certified to: ANSI/NSF 61, ANSI/NSF 372

Standard Materials:

Body	Ductile iron ASTM A536 with vulcanized EPDM liner
Coating	Two Component, High Solids Epoxy
Stems	Standard: 17-4PH Stainless steel ASTM A564
Bushings	Copper alloy ASTM B505
Disc (*)	Ductile iron ASTM A536 with Ni-Cu seat
Mounting hardware, Set Screw	Stainless steel
O-rings	ASTM D2000 Buna "N" nitrile rubber

(*) 3"-4" disc material is CF8M 316 stainless steel



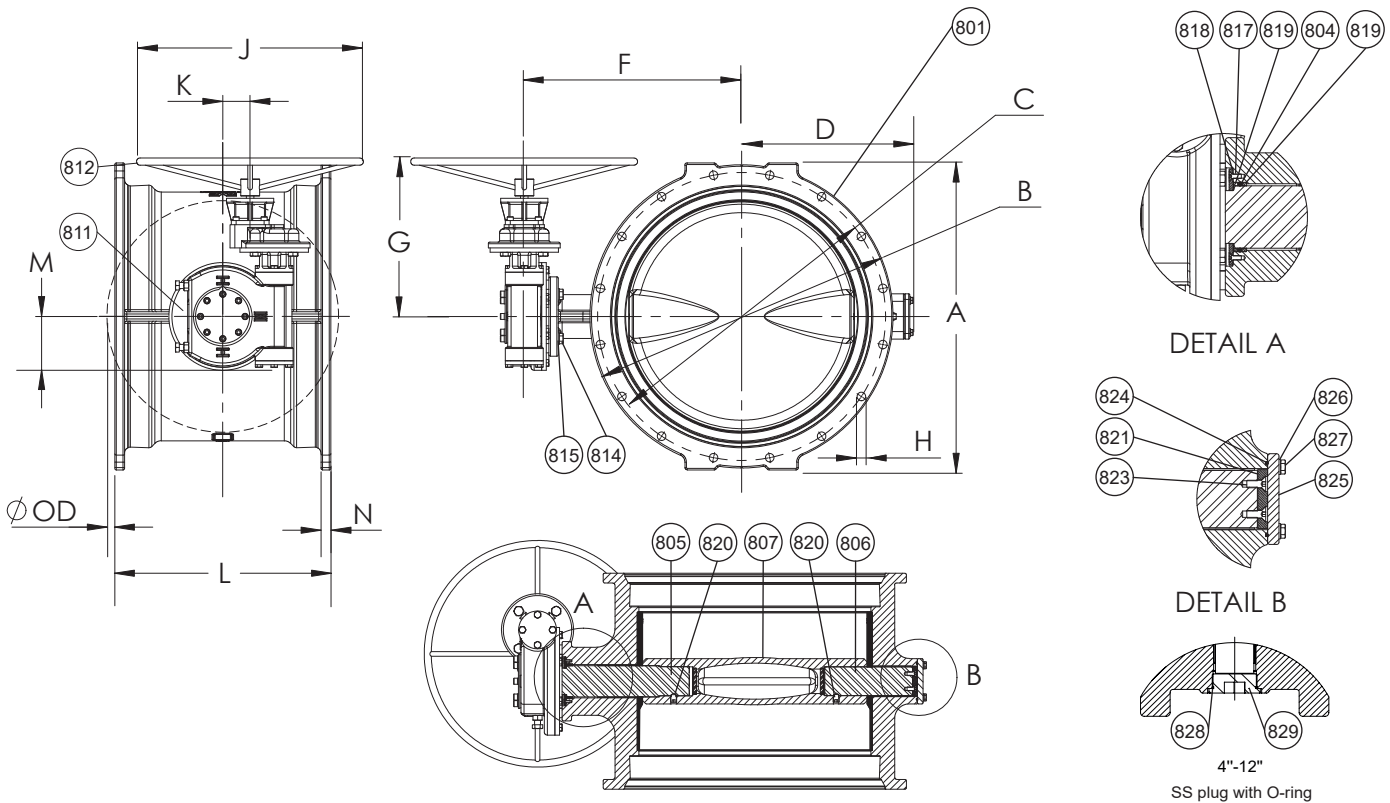
AVK CONCENTRIC BUTTERFLY VALVE WITH VULCANIZED LINER, CLASS 150B&250B - ABOVE GROUND Mechanical Joint Ends - Valve Sizes 4" - 24"

**816/BFV/ROT/GB
MJxMJ**

Component List:

- | | | | |
|-------------------------|----------------------------------|---------------------------------|------------------------|
| 801. Body | 811. Gearbox | 818. Stem Plate | 825. End Plate |
| 804. Upper Shaft O-ring | 812. Hand Wheel | 819. O-ring Retainer | 826. End Plate Washers |
| 805. Drive Shaft | 814. Gearbox Bolt | 820. Stem-Disc Screws | 827. End Plate Bolts |
| 806. Stub Shaft | 815. Gearbox Washer | 821. Axial Bearing | 828. Stem Plug O-ring |
| 807. Disc | 816. Hand Wheel Set Screw* | 822. Bearing Adjustment Screws* | 829. Stem Plug |
| 810. Gearbox Key* | 817. Stem Plate Retaining Screws | 824. End Plate O-ring | |

* Not shown



Ref No.	Size	A	B	C	D	F	G	H	J	K	L	M	N	ØOD	TURNS NO. OF SHPG. TO OPEN		
															150/250	HOLES	WT. LBS.
816-100-MM-RGB	4"	9.09"	9.09"	7.50"	4.50"	7.38"	7.91"	0.88"	7.87"	2.80"	8.13"	2.71"	0.60"	NA	9/9	8	53
816-150-MM-RGB	6"	11.06"	11.06"	9.50"	5.50"	8.66"	7.91"	0.88"	7.87"	2.80"	9.25"	2.71"	1.00"	NA	9/9	8	73
816-200-MM-RGB	8"	13.31"	13.31"	11.75"	6.75"	9.69"	10.35"	0.88"	7.87"	3.38"	10.50"	3.94"	1.13"	NA	10/10	8	99
816-250-MM-RGB	10"	15.69"	15.69"	14.00"	8.00"	11.30"	10.35"	0.88"	11.81"	3.38"	11.75"	3.94"	1.19"	NA	10/10	8	154
816-300-MM-RGB	12"	17.88"	17.88"	16.25"	9.50"	12.29"	10.35"	0.88"	11.81"	3.38"	13.00"	3.94"	1.25"	NA	10/10	8	185
816-350-MM-RGB	14"	20.71"	20.25"	18.75"	10.70"	14.02"	11.73"	0.88"	15.75"	3.38"	16.25"	3.94"	1.38"	NA	10/10	10	267
816-400-MM-RGB	16"	22.91"	22.50"	21.00"	12.28"	15.95"	11.73"	0.88"	15.75"	3.38"	17.50"	3.94"	1.44"	NA	10/10	12	365
816-450-MM-RGB	18"	25.20"	24.83"	23.25"	13.56"	16.94"	11.73"	0.88"	23.62"	4.11"	18.75"	4.33"	1.56"	NA	10/12	12	532
816-500-MM-RGB	20"	27.48"	27.08"	25.50"	14.70"	18.98"	16.54"	0.88"	23.62"	5.35"	20.25"	5.35"	1.70"	NA	12/24	14	628
816-600-MM-RGB	24"	31.97"	31.58"	30.00"	17.85"	22.80"	16.54"	0.88"	23.62"	5.35"	22.50"	5.35"	1.88"	0.78"	24/38	16	876

NA - Not Applicable

