

**AVK CONCENTRIC BUTTERFLY VALVE, MANUALLY ACTUATED
WITH VULCANIZED LINER, CLASS 150B/250B - ABOVE GROUND
Flanged Ends to ANSI B16.42 class 150 - Valve Sizes 3" - 8"**

**816/BFV/LVR
FLxFL**

Use:

For water to maximum 160°F.

Tests:

Hydraulic tests to AWWA C504:

	150B	250B
Shell Test:	300 PSI	500 PSI
Seat Test:	150 PSI	250 PSI

Approvals:

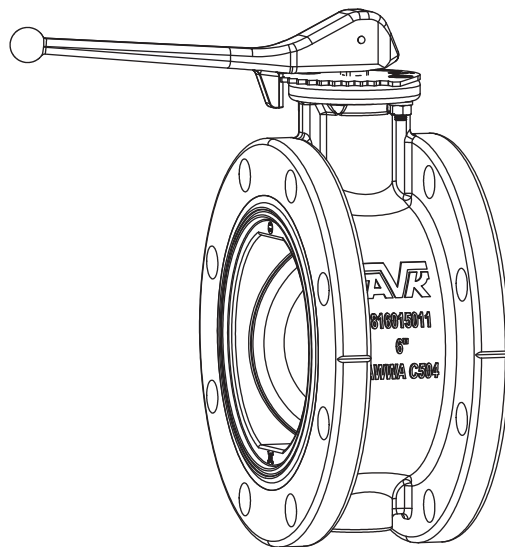
Certified to: ANSI/NSF 61, ANSI/NSF 372



Standard Materials:

Body	Ductile iron ASTM A536 with vulcanized EPDM liner
Lever	Ductile iron ASTM A536
Lever Plate	Mild Steel
Coating	Two Component, High Solids Epoxy
Stems	Standard: 17-4PH Stainless steel ASTM A564
Bushings	Copper alloy ASTM B505
Disc (*)	Ductile iron ASTM A536 with Ni-Cu seat
Mounting hardware, Set Screw	Stainless steel
O-rings	ASTM D2000 Buna "N" nitrile rubber

(*) 3"-4" disc material is CF8M 316 stainless steel

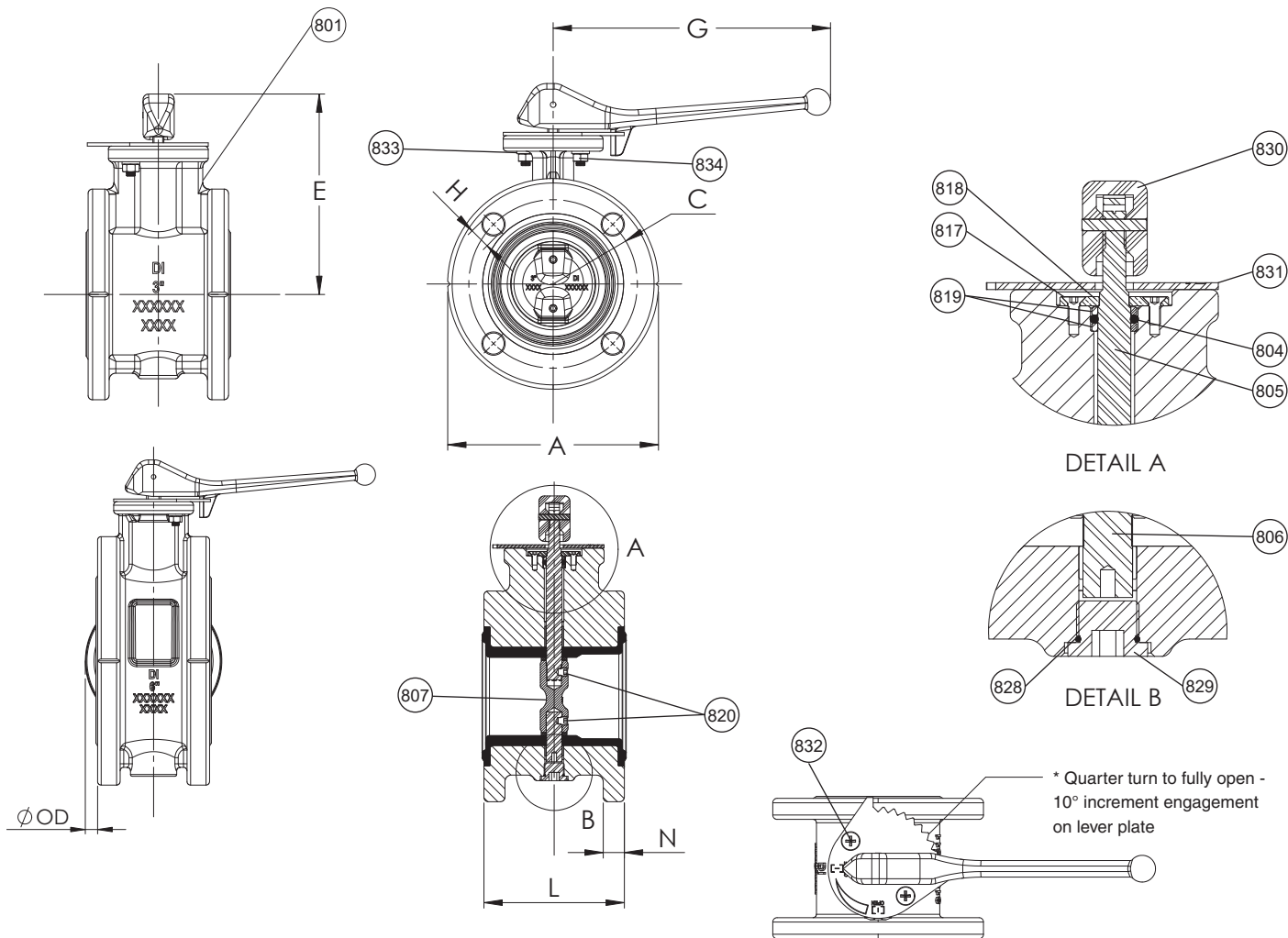


**AVK CONCENTRIC BUTTERFLY VALVE, MANUALLY ACTUATED
WITH VULCANIZED LINER, CLASS 150B/250B - ABOVE GROUND**
Flanged Ends to ANSI B16.42 class 150 - Valve Sizes 3" - 8"

**816/BFV/LVR
FLxFL**

Component List:

801. Body	807. Disc	820. Stem-Disc Screws	831. Lever Plate
804. Upper Shaft O-ring	817. Stem Plate Screw	828. Stem Plug O-ring	832. Lever Plate Screw
805. Drive Shaft	818. Stem Plate	829. Stem Plug	833. Lever Plate Washer
806. Stub Shaft	819. O-ring Bushing	830. Lever Assembly	834. Lever Plate Nut



Ref No.	Size	A	C	E	G	H	J	L	N	ØOD	TURNS TO OPEN	NO. OF HOLES	SHPG. WT. LBS.
816-080-BFV-LVR	3"	7.50"	6.00"	7.11"	9.84"	0.75"	7.87"	5.00"	0.75"	NA	*	4/0	24
816-100-BFV-LVR	4"	9.00"	7.50"	11.09"	9.84"	0.75"	7.87"	5.00"	0.94"	NA	*	8/0	35
816-150-BFV-LVR	6"	11.00"	9.50"	12.37"	9.84"	0.88"	7.87"	5.00"	1.00"	0.53"	*	8/0	50
816-200-BFV-LVR	8"	13.50"	11.75"	13.34"	9.84"	0.88"	7.87"	6.00"	1.13"	1.04"	*	8/0	83

