

AVK DOUBLE ECCENTRIC BUTTERFLY VALVE

766/BFV/ROT/GB

Resilient Seated - 150 or 250 PSI rated working pressures to AWWA C504, ABOVE GROUND MJxMJ

Mechanical Joint Ends - Valve Sizes 24" - 48"

Use:

For water to maximum 160°F.

Tests:

Hydraulic tests:

150 PSI working pressure

Shell Test: 300 PSI

Seat Test: 150 PSI*

250 PSI working pressure

Shell Test: 500 PSI

Seat Test: 250 PSI*

* Single direction standard. Bi-directional testing available for additional fee.

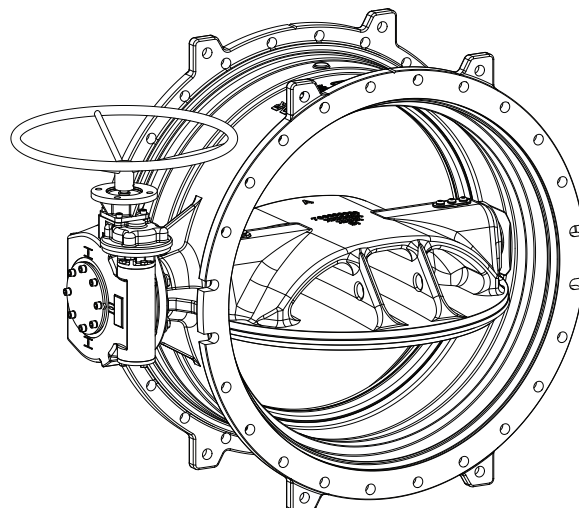
Approvals:

Certified to: ANSI/NSF 61, ANSI/NSF 372



Standard Materials:

| | |
|--|---|
| Body, Disc Body, End Plate | Ductile iron ASTM A536 |
| Seat Ring | 316 stainless steel |
| Dowel Pins | 431 stainless steel |
| Coating | AWWA C550 Epoxy |
| Stems | 150 PSI - 431 stainless steel 250 PSI - 17-4PH stainless steel |
| Bushings | Copper alloy ASTM B505 |
| Hardware | 316 stainless steel |
| Rubber Disc Seal, | EPDM rubber |
| Cover Plate O-ring Disc Gasket, Misc. O-rings | ASTM D2000 Buna "N" nitrile rubber |
| Axial Bearings | Steel with PTFE |
| Axial Thrust Bearing | Copper Bronze |
| O-Ring Retainers | Aluminum Bronze |



AVK DOUBLE ECCENTRIC BUTTERFLY VALVE

766/BFV/ROT/GB

Resilient Seated - 150 or 250 PSI rated working pressures to AWWA C504, ABOVE GROUND

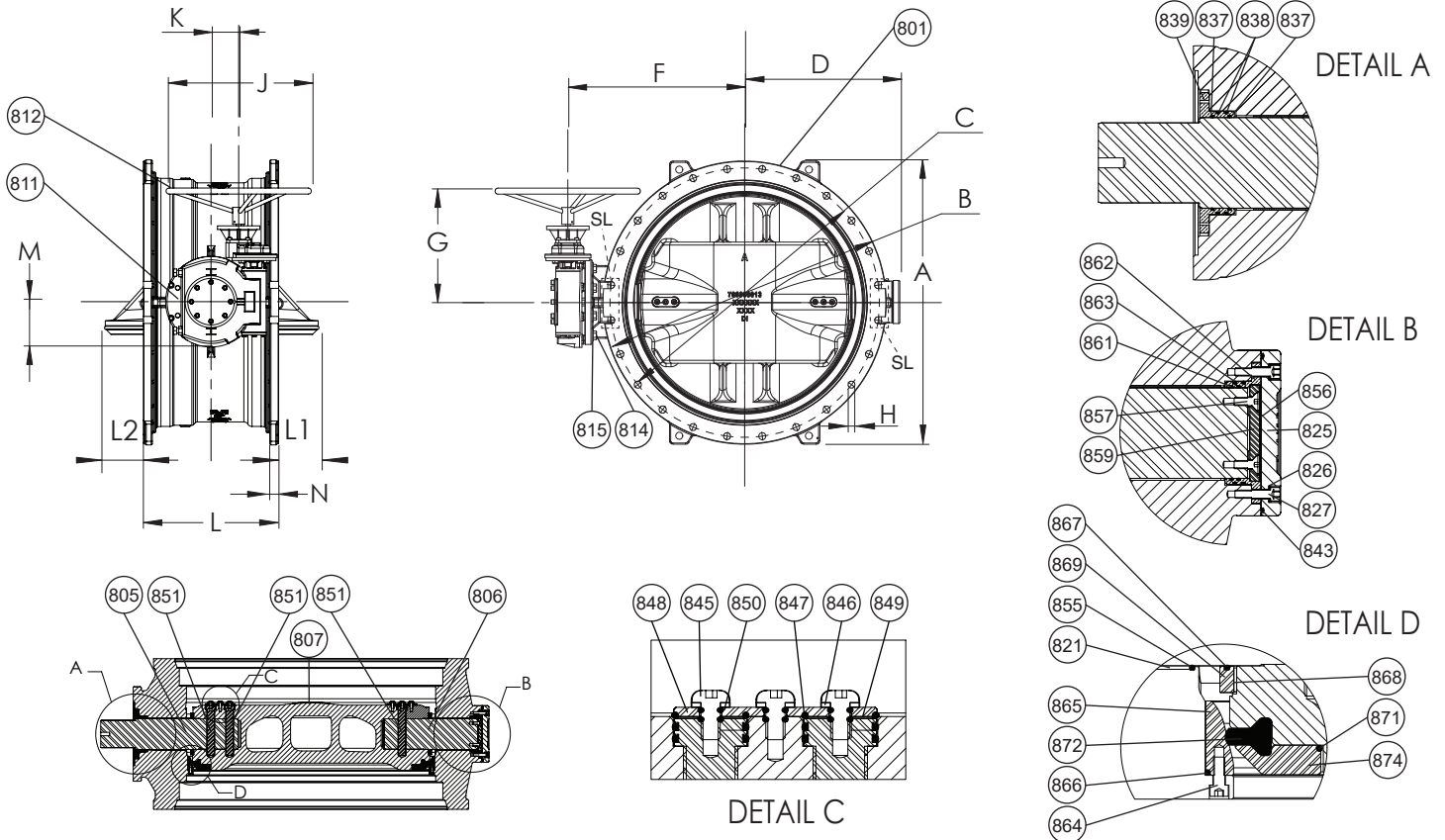
MJxMJ

Mechanical Joint Ends - Valve Sizes 24" - 48"

Component List:

| | | | |
|------------------------|--|--|---|
| 801. Body | 827. End Plate Bolts | 851. Disc Pin | 867. Disc Cover O-ring |
| 805. Drive Shaft | 836. Upper O-ring Retainer Screws* | 855. Axial Bearing O-ring | 868. Disc Cover Gasket |
| 806. Stub Shaft | 837. Upper O-ring Retainer Inner O-rings | 856. Axial Thrust Bearing Gasket | 869. Disc Cover |
| 807. Disc Body | 838. Upper O-ring Retainer Outer O-rings | 857. Axial Thrust Bearing Mounting Screws | 870. Disc Cover Mounting Screws* |
| 810. Gearbox Key* | 839. Upper O-ring Retainer | 858. Axial Thrust Bearing Adjustment Screws* | 871. Disc Seal Retainer O-ring |
| 811. Gearbox | 841. Safety Key* | 859. Axial Thrust Bearing | 872. Disc Seal |
| 812. Handwheel | 843. End Plate Dust O-ring | 860. Lower O-ring Retainer Mounting Screws | 873. Disc Seal Retainer Mounting Screw O-rings* |
| 814. Gearbox Bolt | 845. Pin Screw | 861. Lower O-ring Retainer Inner O-rings | 874. Disc Seal Retainer |
| 815. Gearbox Washer | 846. Pin Lock Washer | 862. Lower O-ring Retainer | 875. Disc Seal Retainer Mounting Screw Washers* |
| 816. Handwheel Screw* | 847. Outer Pin O-ring | 863. Lower O-ring Retainer Outer O-rings | 876. Disc Seal Retainer Mounting Screws* |
| 821. Axial Bearing | 848. Pin Safety Plate | 864. Seat Mounting Screws | |
| 825. End Plate | 849. Pin Washer | 865. Seat Ring | |
| 826. End Plate Washers | 850. Inner Pin O-ring | 866. Seat Ring O-ring* | |

* Not shown



| Ref No. | Size | A | B | C | D | F | G | H | J | K | L | L1 | L2 | M | N | TURNS | | SHPG. |
|-----------------|------|--------|--------|--------|--------|--------|--------|-------|--------|-------|--------|--------|--------|--------|-------|---------|--------|-------|
| | | | | | | | | | | | | | | | | TO OPEN | HL/SL* | |
| 766-0600-MM-RGB | 24" | 31.93" | 31.54" | 30.00" | 17.47" | 24.93" | 16.53" | 0.87" | 23.62" | 5.35" | 17.00" | 3.09" | 3.15" | 5.61" | 1.02" | 24 | 12/4 | 940 |
| 766-0750-MM-RGB | 30" | 39.53" | 39.12" | 36.88" | 20.90" | 27.48" | 16.53" | 1.14" | 23.62" | 7.00" | 20.00" | 4.39" | 3.54" | 7.38" | 1.31" | 38 | 16/4 | 1642 |
| 766-0900-MM-RGB | 36" | 46.38" | 46.00" | 43.75" | 25.04" | 33.82" | 22.72" | 1.14" | 23.62" | 8.28" | 22.00" | 6.38" | 4.00" | 8.86" | 1.45" | 64 | 20/4 | 2524 |
| 766-1050-MM-RGB | 42" | 53.50" | 53.11" | 50.62" | 28.80" | 37.62" | 22.72" | 1.38" | 23.62" | 8.28" | 22.00" | 9.41" | 9.64" | 8.86" | 1.45" | 64 | 24/4 | 3753 |
| 766-1200-MM-RGB | 48" | 60.39" | 60.00" | 57.50" | 32.72" | 44.45" | 24.41" | 1.38" | 23.62" | 9.69" | 24.00" | 11.48" | 11.72" | 10.24" | 1.45" | 128 | 28/4 | 5065 |

* HL/SL - Holes/Slots per flange

