

AMERICAN AVK SWING CHECK VALVE, 250 PSI
Tested to AWWA C508 - Resilient Seated with Lever & Weight
Flanged Ends Drilled to ANSI B16.42 Class 150 - Valve Sizes 3" - 12"

41/RW
RSLT/LW

Use:

For potable water and neutral liquids to maximum 160°F.

Tests:

Hydraulic test to AWWA C508:

Shell Test: 500 PSI

Seat Test: 250 PSI

Optional Extras:

Resilient seated disc assembly.

Tapping boss, tapped and plugged.

Priming Device

Approvals:

Certified to: ANSI/NSF 61, ANSI/NSF 372



Standard Materials:

Body, Bonnet, Weight, Lever Hinge (10"-12") Ductile iron, ASTM A536

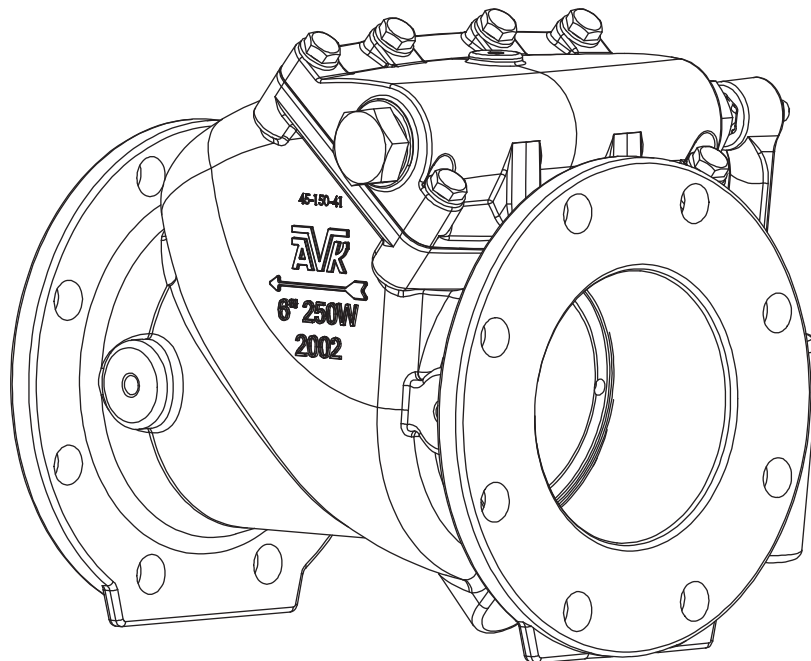
Coating Electrostatically applied fusion-bonded epoxy. Meets or exceeds AWWA C550

O-Rings, Bonnet Gasket NBR

Shaft, (Hinge, 3"- 8") Bonnet Bolts, Washers, Keys Stainless steel

Bushings Bronze

Resilient Seated Disc EPDM rubber with a carbon steel core



C508 clear waterway design. Laylength to ANSI B16.10



AMERICAN AVK SWING CHECK VALVE, 250 PSI
Tested to AWWA C508 - Resilient Seated with Lever & Weight
Flanged Ends Drilled to ANSI B16.42 Class 150 - Valve Sizes 3" - 12"

41/RW
RSLT/LW

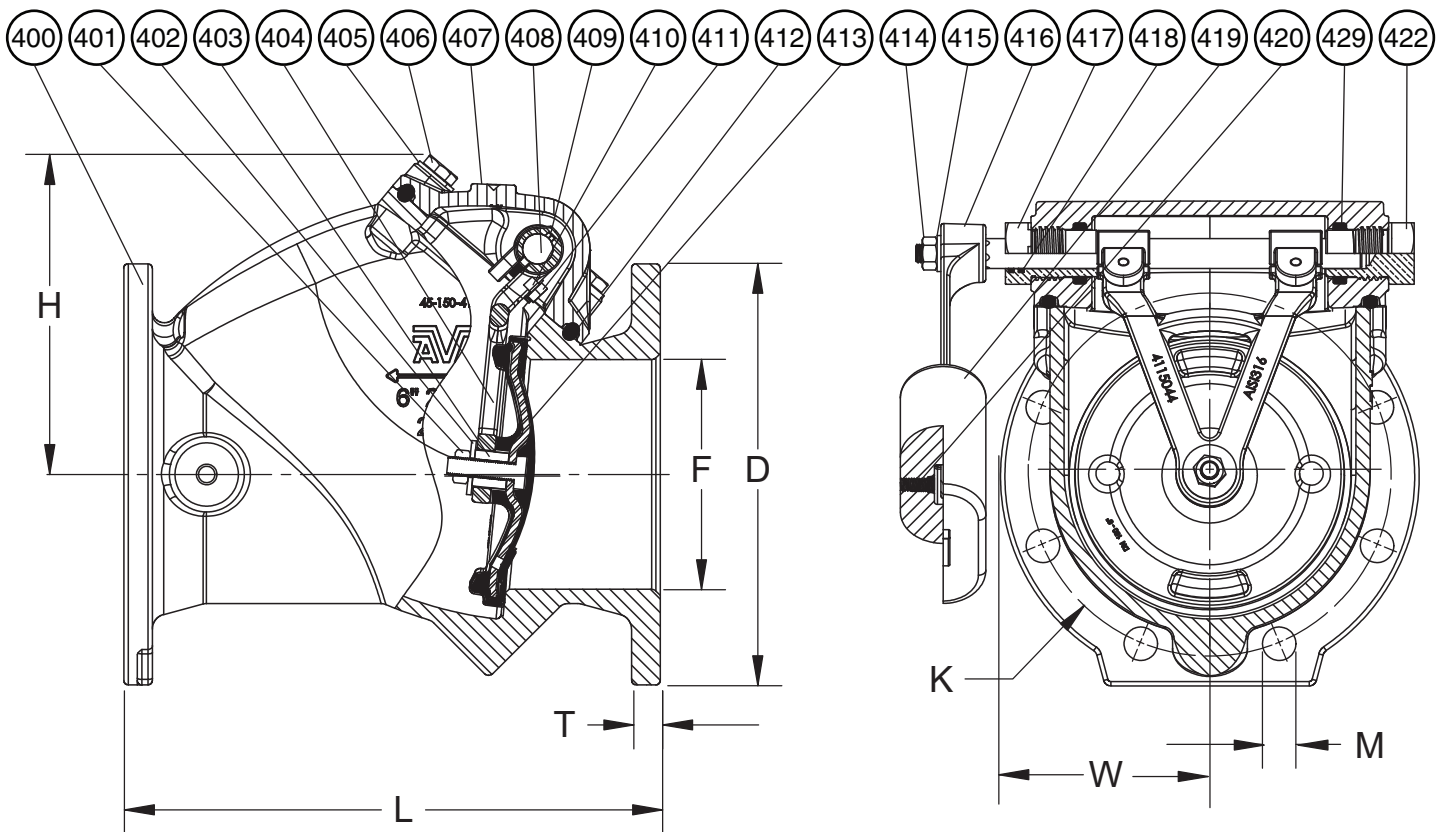
Components

| | | | | |
|--------------------|------------------|--------------------|---------------------------|-------------------------|
| 400. Body | 406. Bonnet Bolt | 412. Bonnet Gasket | 418. Inner Bushing O-ring | 423. Disc Lock Washer** |
| 401. Disc Nut | 407. Bonnet | 413. Disc | 419. Weight | 429. Bonnet O-ring*** |
| 402. Disc Washer | 408. Shaft | 414. Shaft Nut | 420. Set Screw | 430. Hinge Connector* |
| 403. Disc Bushing | 409. Key | 415. Shaft Washer | 421. Outer Bushing O-ring | 431. Retaining Washers* |
| 404. Hinge | 410. Lock Washer | 416. Lever | 422. Closed Bushing | 432. Shaft Spacers* |
| 405. Bonnet Washer | 411. Hinge Bolt | 417. Open Bushing | | |

* 10" and 12" Valves (not shown)

** As of March 1st, 2008 on 3" through 8" valves, the Disc Lock Washer (423, not shown), and Disc Nut (401), are replaced by a new self locking Disc Nut (401).

*** As of June 1st, 2014, new style bonnets that eliminate the Outer Bushing O-rings (421), and utilize new Inner Bushing O-rings (429) for all size check valves



| Ref No. | Size | D | F | H | K | L | M | T | W | Flange Holes | Weight (lbs.) |
|-----------|------|--------|--------|--------|--------|--------|-------|-------|-------|--------------|---------------|
| 41-080-RW | 3" | 7.50" | 3.00" | 5.50" | 6.00" | 9.50" | 0.75" | 0.75" | 3.76" | 4 | 35 |
| 41-100-RW | 4" | 9.00" | 4.00" | 6.00" | 7.50" | 11.50" | 0.75" | 0.75" | 4.50" | 8 | 51 |
| 41-150-RW | 6" | 11.00" | 6.00" | 7.75" | 9.50" | 14.00" | 0.88" | 0.75" | 5.50" | 8 | 86 |
| 41-200-RW | 8" | 13.50" | 8.00" | 9.00" | 11.75" | 19.50" | 0.88" | 0.80" | 6.75" | 8 | 165 |
| 41-250-RW | 10" | 16.00" | 10.00" | 13.50" | 14.25" | 24.50" | 1.00" | 1.20" | 8.01" | 12 | 450 |
| 41-300-RW | 12" | 19.00" | 12.00" | 15.37" | 17.00" | 27.50" | 1.00" | 1.26" | 9.50" | 12 | 590 |

Specify right-hand or left-hand lever & weight mounting when ordering

