

AMERICAN AVK RESILIENT SEATED DUCTILE IRON GATE VALVE
250 PSI, Tested to AWWA C515 (NRS)
Flanged Ends to ASME B16.42 Class 150 - Valve sizes 2.5" - 12"

65/FFN-WD
FLxFL

Use:
 For water and neutral liquids to maximum 160°F.

Tests:
 Hydraulic test to AWWA C515:
 Shell Test: 500 PSI
 Seat Test: 250 PSI
 Operating Torque Test

Optional Materials:


Wedge	Ductile iron ASTM A536 encapsulated with NBR-rubber compound
-------	--


Standard Materials:

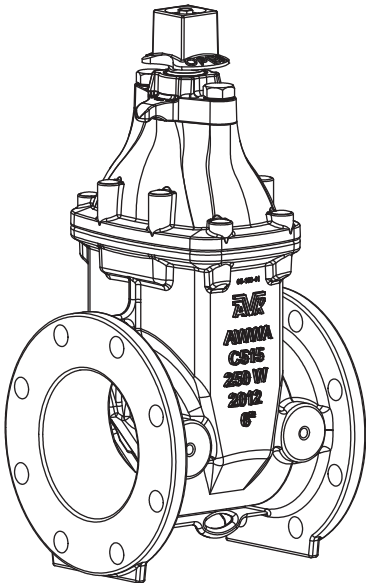
Body, Bonnet, Gland Flange, Wrench Nut	Ductile iron ASTM A536 (Wrench Nut-painted black for open left, red for open right)
Coating	Electrostatically applied fusion-bonded epoxy-resin Meets or exceeds AWWA C550
Stem	Standard: Stainless steel 430F
Wedge	Ductile iron ASTM A536 encapsulated with EPDM-rubber compound
Wedge Nut, Thrust Collar	Bronze
Bonnet Bolts	Stainless Steel - 316 sealed with hot melt
Gland Bolts	Stainless Steel - 316 Hexagon bolt
Bonnet Gasket, Wiper Ring, O-Ring Stem Seals, O-Ring Gland Seal	ASTM D2000 Buna "N" nitrile rubber

Approvals:

Certified to: ANSI/NSF 61, ANSI/NSF 372


Certified to
NSF/ANSI 61


Certified to
NSF/ANSI 372

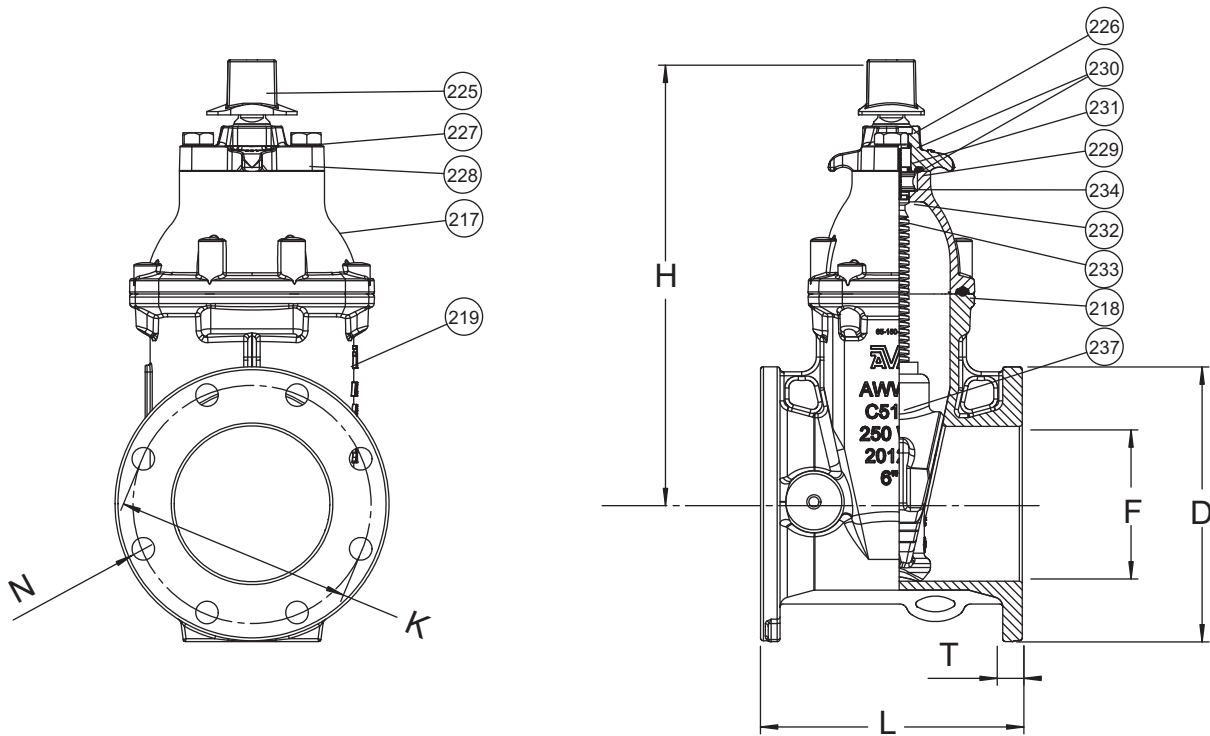


AMERICAN AVK RESILIENT SEATED DUCTILE IRON GATE VALVE
250 PSI, Tested to AWWA C515 (NRS)
 Flanged Ends to ASME B 16.42 Class 150 - Valve sizes 2.5" - 12"

65/FFN-WD
FLxFL

Component List:

- | | | |
|--------------------|------------------------------|-----------------------------|
| 217. Bonnet | 227. Gland Flange Bolt | 232. Lower Stem Seal O-Ring |
| 218. Bonnet Gasket | 228. Gland Flange | 233. NRS Stem |
| 219. Body | 229. Gland O-Ring | 234. Thrust Collar |
| 225. Wrench Nut | 230. Upper Stem Seal O-Rings | 237. Wedge |
| 226. Wiper Ring | 231. Stem Seal Bushing | |



Ref No.	Size	D	F	H	K	L	N	T	Flange Holes	Turns to Open	Weight (lbs.)
65-065-FFN-WD	2.5"	7.00"	2.63"	12.09"	5.50"	7.50"	0.75"	0.69"	4	12.5	38
65-080-FFN-WD	3"	7.50"	3.13"	12.28"	6.00"	8.00"	0.75"	0.79"	4	15.5	46
65-100-FFN-WD	4"	9.00"	4.25"	13.82"	7.50"	9.00"	0.75"	0.79"	8	17.5	62
65-150-FFN-WD	6"	11.00"	6.25"	17.81"	9.50"	10.50"	0.88"	0.79"	8	24.5	103
65-200-FFN-WD	8"	13.50"	8.25"	21.83"	11.75"	11.50"	0.88"	0.91"	8	27.5	146
65-250-FFN-WD	10"	16.00"	10.25"	25.06"	14.25"	13.00"	1.00"	0.97"	12	34.5	224
65-300-FFN-WD	12"	19.00"	12.25"	27.96"	17.00"	14.00"	1.00"	1.04"	12	41.5	310

