

AMERICAN AVK GROOVED END SWING CHECK VALVE, 350 PSI
Resilient Seated Spring Loaded for Fire Protection
IPS Grooved Ends to AWWA C606 - Valve Sizes 2½" - 8"

5190/SCV
GRxGR

Use:

For potable water to maximum 176°F.

Tests:

Hydraulic test to AWWA C508:

Shell Test: 700 PSI

Seat Test: 700 PSI

Options:

Shotgun Riser Check Valves available

Approvals:

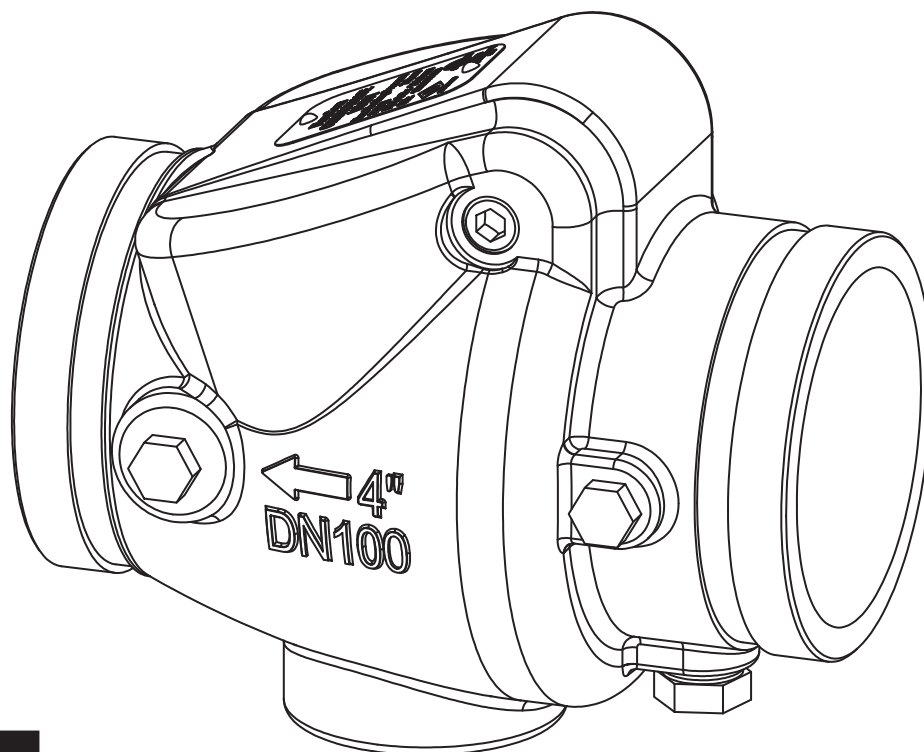
UL/ULC Listed

FM approved



Standard Materials:

Body	Ductile iron, ASTM A536
Coating	RAL 3000 Red 2 layer paint .002" - .006"
Clapper, Hinge Pin, Clamping Ring, Spring, Clapper Bolt, Lock Nut	Stainless steel
Body Seat	Bronze
Facing Seal, Gasket	EPDM rubber
Plugs	Carbon steel

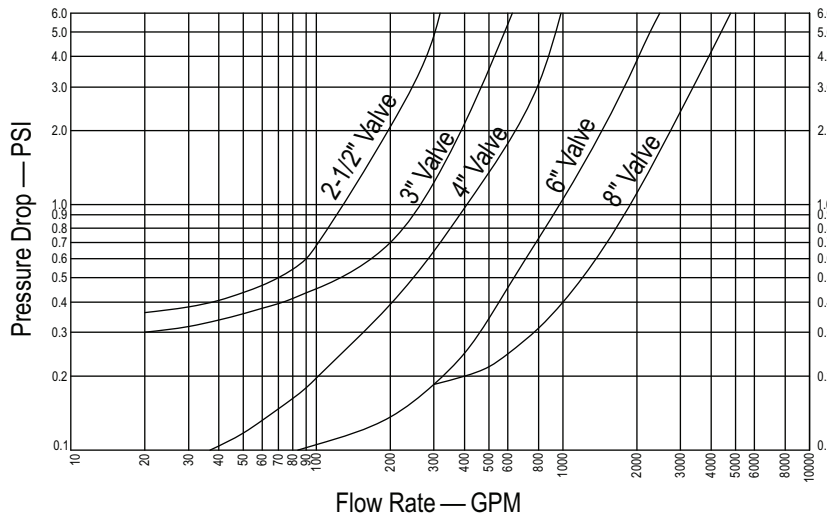
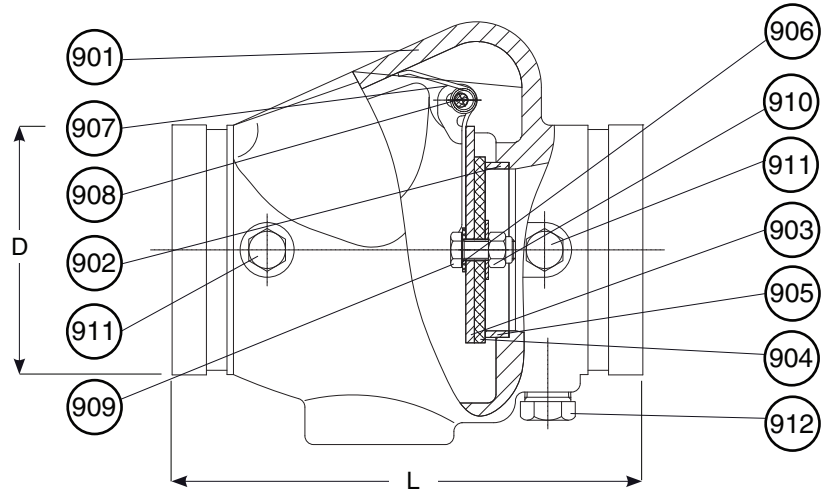


AMERICAN AVK GROOVED END SWING CHECK VALVE, 350 PSI
Resilient Seated Spring Loaded for Fire Protection
IPS Grooved Ends to AWWA C606 - Valve Sizes 2½" - 8"

5190/SCV
GRxGR

Components

- 901. Body
- 902. Seat
- 903. Clapper
- 904. Facing Seal
- 905. Clamping Ring
- 906. Gasket
- 907. Spring
- 908. Hinge Pin
- 909. Clapper Bolt
- 910. Clapper Nut
- 911. 1/4" NPT Plug
- 912. 1/2" NPT Plug



Ref No.	Size	D	L	Weight (lbs.)
5190-065-SCV	2.5"	2.87"	7.20"	9
5190-080-SCV	3"	3.50"	7.80"	14
5190-100-SCV	4"	4.50"	8.58"	20
5190-150-SCV	6"	6.63"	10.63"	42
5190-200-SCV	8"	8.63"	12.80"	78

