

AMERICAN AVK RESILIENT SEATED GATE VALVE
250 PSI, Tested to AWWA C515 (NRS)
Mechanical Joint Ends - Valve Sizes 18" - 24"

55/MMN
MJxMJ

Use:

For water and neutral liquids to maximum 160°F.

Tests:

Hydraulic test to AWWA C515:

Shell Test: 500 PSI

Seat Test: 250 PSI

Operating Torque Test

Optional Materials:

Stem Bronze

Anti Friction Washer Polyamide

Bonnet Bolts Stainless steel - Stainless Steel - 316
 bolt sealed with hot melt

Gland Bolts, Lifting Eyes Stainless steel - Stainless Steel - 316

Options:

Handwheel, Electric Actuator, Bevel Gear, Spur Gear

Approvals:

Certified to:
 ANSI/NSF 61, ANSI/NSF 372



Standard Materials:

Body, Bonnet, Gland Flange Ductile iron ASTM A536

Coating Electrostatically applied fusion-bonded epoxy-resin
 Meets or exceeds AWWA C550

Wrench Nut Ductile Iron ASTM A536
 - painted black for open left,
 red for open right.

Stem Standard: Stainless steel ASTM A582

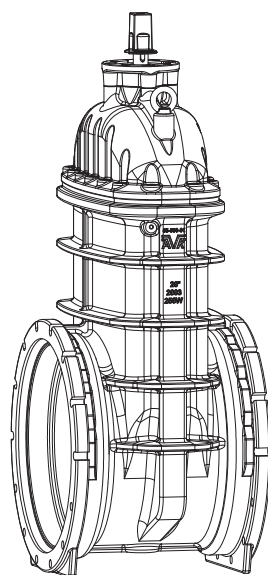
Wedge Ductile iron ASTM A536
 encapsulated with EPDM-rubber
 compound

Wedge Nut, Thrust Collar Bronze

Bonnet Bolts, Gland Bolts Stainless Steel -304 sealed with hot
 melt

Lifting Eyes Stainless Steel -304

Bonnet Gasket, Wiper Ring, O-Ring Stem Seals, O-Ring Gland Seal
 ASTM D2000 Buna "N" nitrile
 rubber

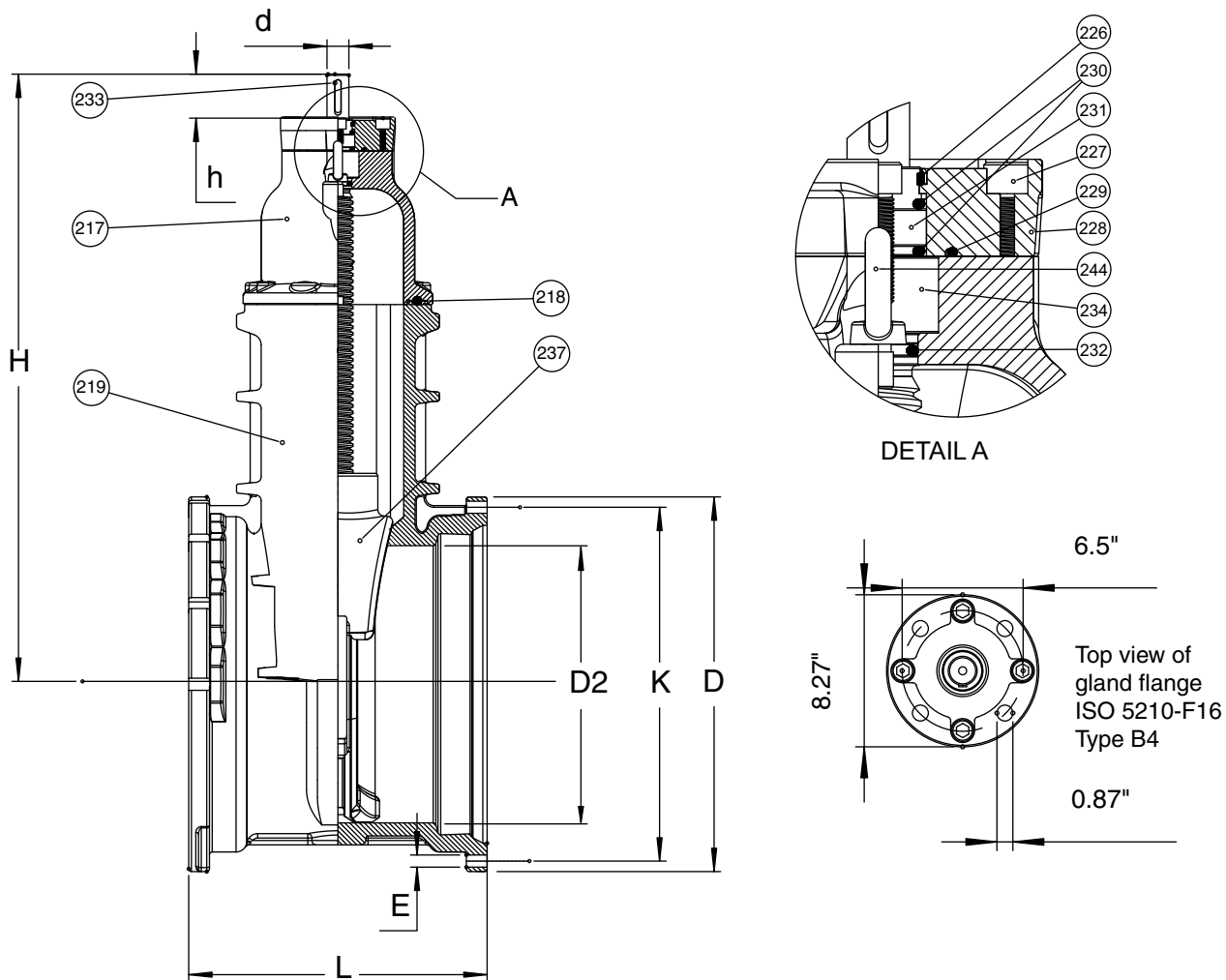


AMERICAN AVK RESILIENT SEATED GATE VALVE
250 PSI, Tested to AWWA C515 (NRS)
Mechanical Joint Ends - Valve Sizes 18" - 24"

55/MMN
MJxMJ

Component List:

- | | | |
|------------------------|------------------------------|--------------------|
| 217. Bonnet | 228. Gland Flange | 233. Stem Rod |
| 218. Bonnet Gasket | 229. Gland O-Ring | 234. Thrust Collar |
| 219. Body | 230. Upper Stem Seal O-Rings | 237. Wedge |
| 226. Wiper Ring | 231. Stem Seal Bushing | 244. Lifting Eye |
| 227. Gland Flange Bolt | 232. Lower Stem Seal O-Ring | |



| Ref. nos | Size | D | D2 | d | E | H | h | K | L | Flange Holes | Turns to open | Wt. Lbs. |
|------------|------|--------|--------|-------|-------|--------|-------|--------|--------|--------------|---------------|----------|
| 55-450-MMN | 18" | 24.75" | 18.00" | 1.57" | 1.50" | 44.50" | 3.13" | 23.25" | 21.00" | 12 | 42 | 1330 |
| 55-500-MMN | 20" | 27.00" | 20.00" | 1.57" | 1.63" | 44.50" | 3.13" | 25.50" | 21.50" | 14 | 42 | 1400 |
| 55-600-MMN | 24" | 31.50" | 24.00" | 1.57" | 1.88" | 51.50" | 3.13" | 30.00" | 23.50" | 16 | 51 | 1867 |

