

AMERICAN AVK RESILIENT SEATED GATE VALVE
250 PSI, Tested to AWWA C515 (NRS)
Mechanical Joint Ends to AWWA C111 by
Flanged Ends to ASME B16.42 Class 150 - Valve Size 36"

55/MFN36
MJxFL

Use:

For water and neutral liquids to maximum 160°F.

Tests:

Hydraulic test to AWWA C515:

Shell Test: 500 PSI

Seat Test: 250 PSI

Operating Torque Test

Optional Materials:

Stem Bronze

Bonnet Bolts Stainless Steel - 316
 bolt sealed with hot melt

Gland Bolts, Stainless Steel - 316

Options:

Handwheel, Electric Actuator, Bevel Gear, Spur Gear

Approvals:

Certified to: ANSI/NSF 61, ANSI/NSF 372



Standard Materials:

Body, Bonnet, Gland Flange Ductile iron ASTM A536

Coating Electrostatically applied fusion-bonded epoxy-resin
 Meets or exceeds AWWA C550

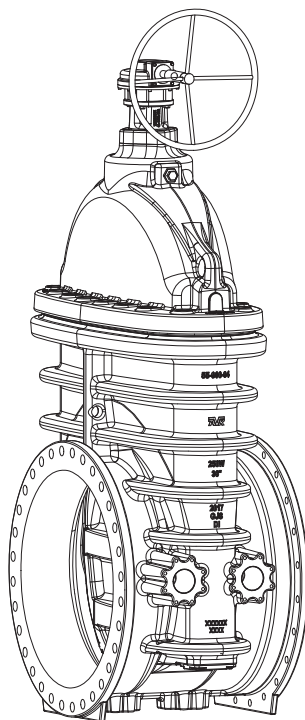
Stem Standard: Stainless steel ASTM A276

Wedge Ductile iron ASTM A536
 encapsulated with EPDM-rubber compound

Wedge Nut, Thrust Collar Bronze

Bonnet Bolts, Gland Bolts Stainless Steel -304 sealed with hot melt

Bonnet Gasket, Wiper Ring, O-Ring Stem Seals, O-Ring Gland Seal ASTM D2000 Buna "N" nitrile rubber

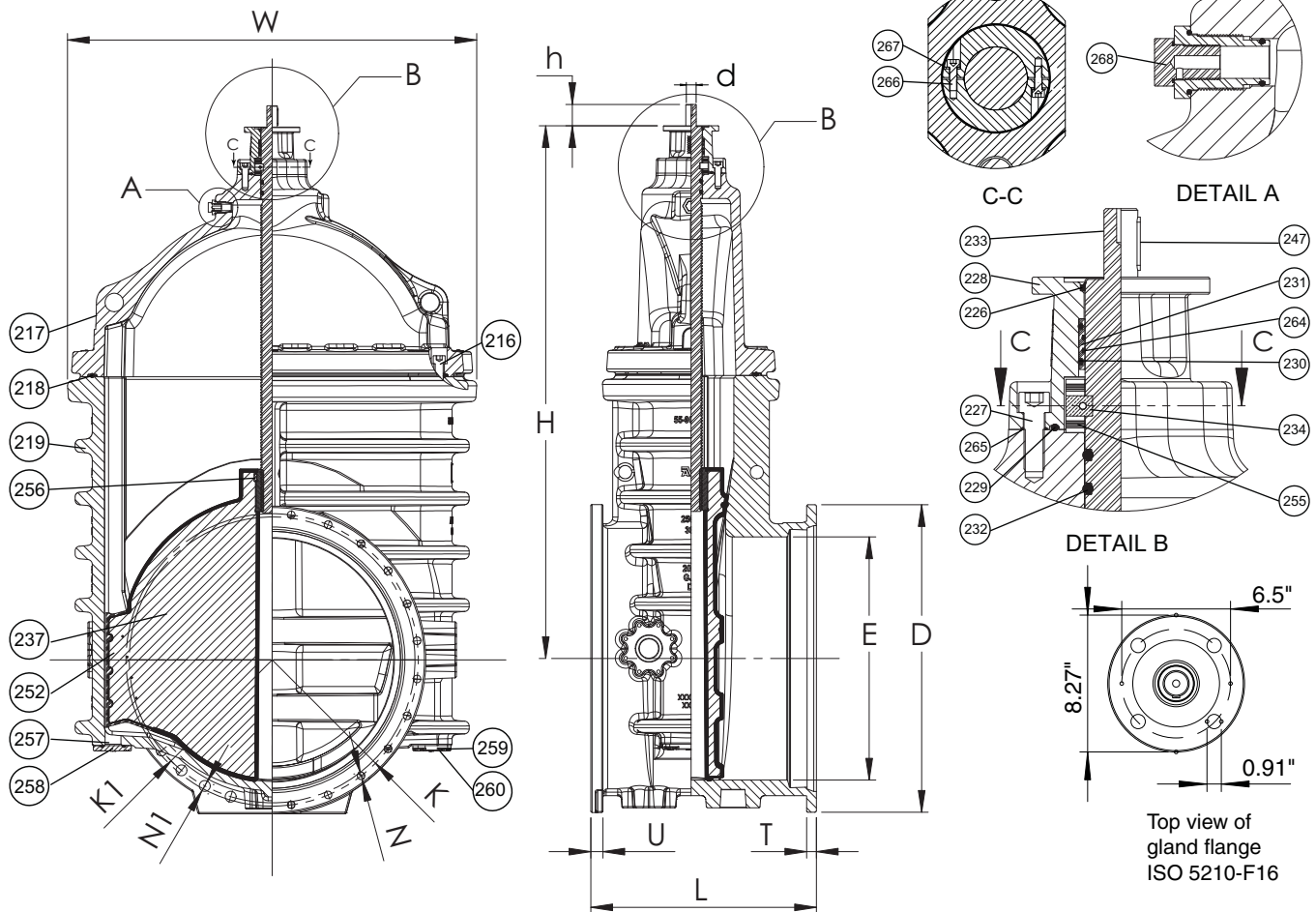


AMERICAN AVK RESILIENT SEATED GATE VALVE
250 PSI, Tested to AWWA C515 (NRS)
Mechanical Joint Ends to AWWA C111 by
Flanged Ends to ASME B16.42 Class 150 - Valve Size 36"

55/MFN36
MJxFL

Component List:

- | | | |
|------------------------------|-----------------------------|--|
| 216. Bonnet Bolts | 231. Stem Seal Bushing | 257. Cover Plate O-ring |
| 217. Bonnet | 232. Lower Stem Seal O-Ring | 258. Cover Plate |
| 218. Bonnet Gasket | 233. Stem Rod | 259. Cover Plate Washer |
| 219. Body | 234. Thrust Collar | 260. Cover Plate Bolt |
| 226. Wiper Ring | 237. Wedge | 264. Upper Stem Seal O-Rings (36 Inch Valves) |
| 227. Gland Flange Bolt | 247. Key | 265. Gland Bolt O-ring |
| 228. Gland Flange | 252. Shoe | 266. Thrust Collar Bolt |
| 229. Gland O-Ring | 255. Stem Bearing | 267. Thrust Collar Washer |
| 230. Upper Stem Seal O-Rings | 256. Wedge Slotted Pin | 268. Air Bleeder Fittings |



| Ref. nos | Size | D | E | d | H | h | K | K1 | L | N | N1 | T | U | W | FL-Holes MJ/FL | Turns to open | Wt. Lbs. |
|------------|------|--------|--------|-------|--------|-------|--------|--------|--------|-------|-------|-------|-------|--------|-------------------|------------------|-------------|
| 55-900-MFN | 36" | 46.00" | 36.37" | 2.00" | 79.70" | 4.00" | 43.75" | 42.80" | 33.75" | 1.13" | 1.63" | 1.45" | 1.83" | 61.34" | 24/32 | 70 | 8404 |

Add 86 Lbs. for bevel gearing w/ handwheel, add 120 Lbs. for spur gearing w/ handwheel
 See Bevel & Spur Gearing datasheets for overall dimensions

