

**AMERICAN AVK RESILIENT SEATED GATE VALVE**  
**250 PSI, Tested to AWWA C515 (NRS)**  
**Flange Ends to ANSI B16.1 Class 125 - Valve Sizes 18" - 24"**

**55/FFN**  
**FLxFL**

**Use:**

For water and neutral liquids to maximum 160°F.

**Tests:**

Hydraulic test to AWWA C515:

Shell Test: 500 PSI

Seat Test: 250 PSI

Operating Torque Test

**Optional Materials:**

Stem Bronze

Anti Friction Washer Polyamide

Bonnet Bolts Stainless steel - Stainless Steel - 316  
 bolt sealed with hot melt

Gland Bolts, Lifting Eyes Stainless steel - Stainless Steel - 316

**Options:**

Handwheel, Electric Actuator, Bevel Gear, Spur Gear

**Approvals:**

Certified to:  
 ANSI/NSF 61, ANSI/NSF 372



**Standard Materials:**

Body, Bonnet, Gland Flange Ductile iron ASTM A536

Coating Electrostatically applied fusion-bonded epoxy-resin  
 Meets or exceeds AWWA C550

Wrench Nut Ductile Iron ASTM A536  
 - painted black for open left,  
 red for open right.

Stem Standard: Stainless steel ASTM A582

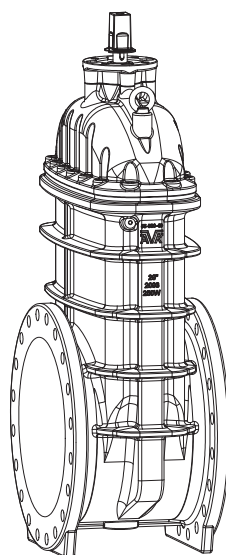
Wedge Ductile iron ASTM A536  
 encapsulated with EPDM-rubber  
 compound

Wedge Nut, Thrust Collar Bronze

Bonnet Bolts, Gland Bolts Stainless Steel -304 sealed with hot  
 melt

Lifting Eyes Stainless Steel -304

Bonnet Gasket, Wiper Ring, O-Ring Stem Seals, O-Ring Gland Seal  
 ASTM D2000 Buna "N" nitrile  
 rubber

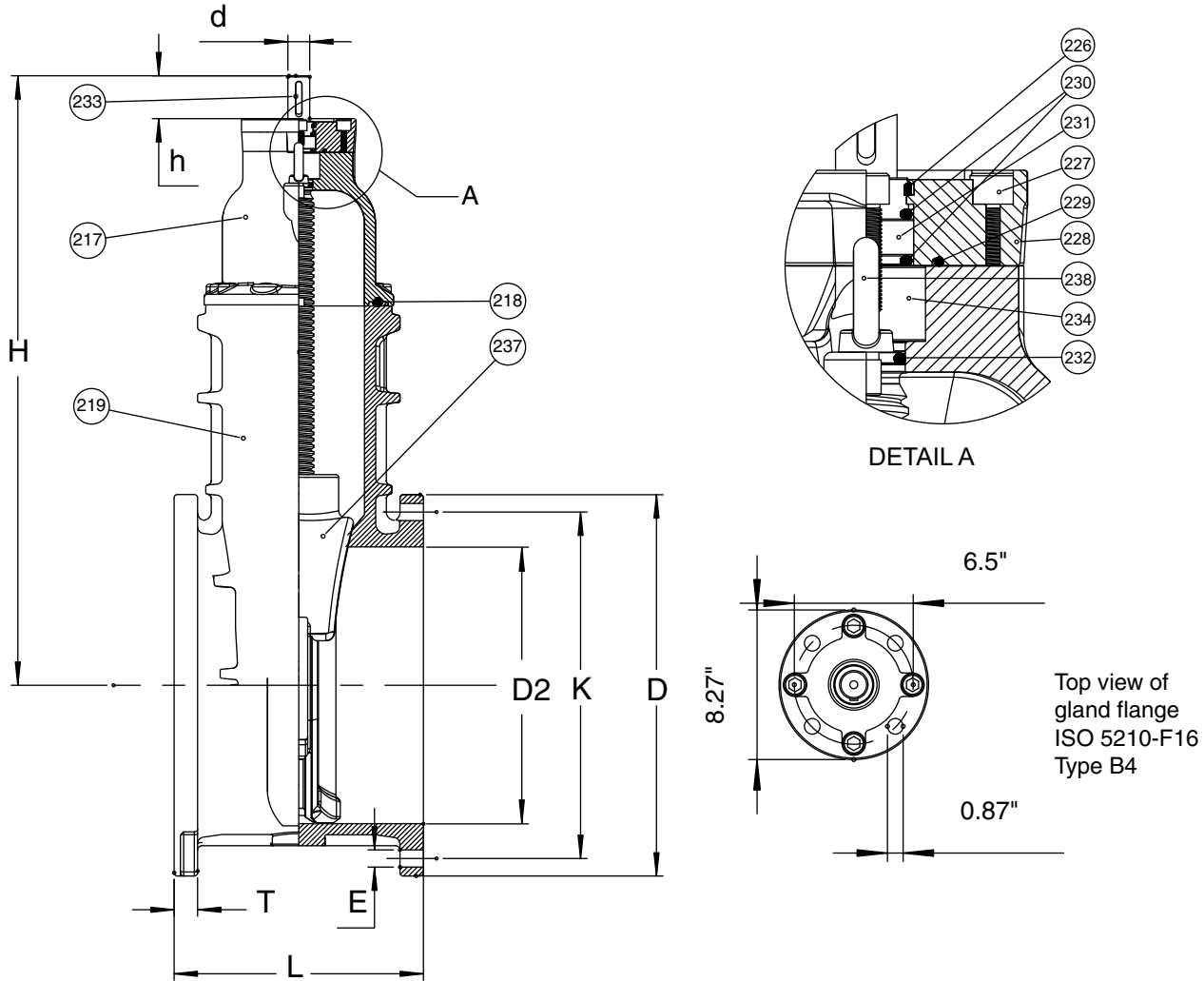


**AMERICAN AVK RESILIENT SEATED GATE VALVE**  
**250 PSI, Tested to AWWA C515 (NRS)**  
**Flange Ends to ASME B16.42 Class 150 - Valve Sizes 18" - 24"**

**55/FFN**  
**FLxFL**

**Component List:**

- |                        |                              |                    |
|------------------------|------------------------------|--------------------|
| 217. Bonnet            | 228. Gland Flange            | 233. Stem Rod      |
| 218. Bonnet Gasket     | 229. Gland O-Ring            | 234. Thrust Collar |
| 219. Body              | 230. Upper Stem Seal O-Rings | 237. Wedge         |
| 226. Wiper Ring        | 231. Stem Seal Bushing       | 244. Lifting Eye   |
| 227. Gland Flange Bolt | 232. Lower Stem Seal O-Ring  |                    |



Ref. nos	Size	D	D2	d	E	H	h	K	L	T	Flange Holes	Turns to open	Wt. Lbs.
55-450-FFN	18"	25.00"	18.00"	1.57"	1.25"	44.5"	3.13"	22.75"	17.00"	1.56"	16	42	1321
55-500-FFN	20"	27.50"	20.00"	1.57"	1.25"	44.5"	3.13"	25.00"	18.00"	1.70"	20	42	1408
55-600-FFN	24"	32.00"	24.00"	1.57"	1.38"	51.50"	3.13"	29.50"	20.00"	1.90"	20	51	1886

