

AMERICAN AVK RESILIENT SEATED DUCTILE IRON GATE VALVE **45/PFP-UL**
POxFL PIV
Tested to AWWA C509 / C515 (NRS) for Indicator Post
Push-on Joint End (TYTON) x Flanged End to ANSI B16.1 Class 125 - Valve sizes 4" - 12" and 16"

Use:
 For water and neutral liquids to maximum 160°F.

Tests:
 Hydraulic test to AWWA C509:
 Shell Test: 500 PSI 4"-16"
 Seat Test: 250 PSI 4"-16"
 Operating Torque Test





Optional Materials:
 Stem For UL, FM, ULC for 4" - 12"
 Low Zinc Bronze ASTM B763

 Anti Friction Washers Polyamide

 Wedge Ductile iron ASTM A536
 encapsulated with NBR-rubber
 compound

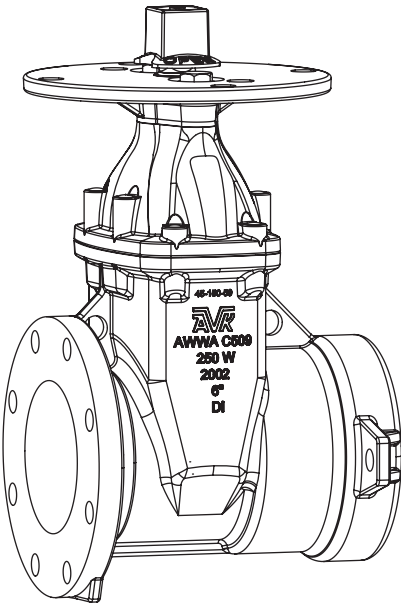
Standard Materials: Body, Bonnet, Post Indicator Plate, Wrench Nut	Ductile iron ASTM A536 (Wrench Nut-painted black for open left, red for open right)
Coating	Electrostatically applied fusion- bonded epoxy-resin Meets or exceeds AWWA C550
Stem	Stainless steel 304, 4"-12" Aluminum Bronze C63020, 14"-16"
Wedge	Ductile iron ASTM A536 encapsulated with EPDM-rubber compound
Wedge Nut, Thrust Collar	Bronze
Bonnet Bolts	Stainless Steel - 316 sealed with hot melt
Gland Bolts	Stainless Steel - 316 Hexagon bolt
Bonnet Gasket, Wiper Ring, O-Ring Stem Seals, O-Ring Gland Seal	ASTM D2000 Buna "N" nitrile rubber

Approvals:

*UL/ULC Listed
 *FM Approved
 Certified to: ANSI/NSF 61, ANSI/NSF 372

* Approved at 250 PSI working pressure, 4"-12"
 * Approved at 200 PSI working pressure, 14"-16"

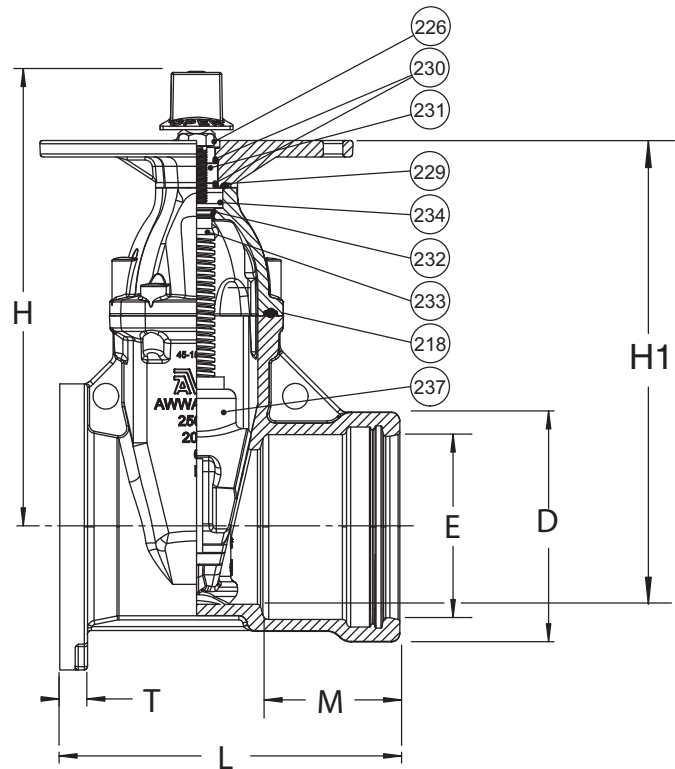
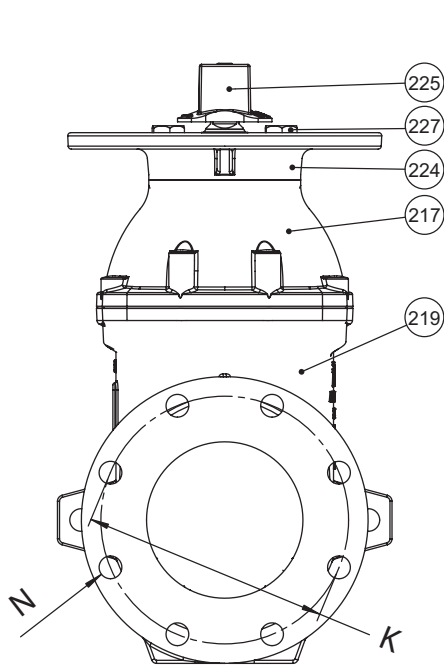


AMERICAN AVK RESILIENT SEATED DUCTILE IRON GATE VALVE
Tested to AWWA C509 / C515 (NRS) for Indicator Post
Push-on Joint End (TYTON) x Flanged End to ASME B16.42 Class 150 - Valve sizes 4" - 12" and 16"

45/PFP-UL
POxFL PIV

Component List:

217. Bonnet	226. Wiper Ring	232. Lower Stem Seal O-Ring
218. Bonnet Gasket	227. Gland Flange Bolt	233. NRS Stem
219. Body	229. Gland O-Ring	234. Thrust Collar
224. Post Indicator Plate	230. Upper Stem Seal O-Rings	237. Wedge
225. Wrench Nut	231. Stem Seal Bushing	



Ref No.	Size	D	E	H	H1	K	L	M	N	T	Flange Holes	Turns to Open	Weight (lbs.)
45-100-PFP	4"	6.66"	4.93"	13.50"	13.00"	7.50"	10.51"	4.12"	0.75"	1.00"	8	14	79
45-150-PFP	6"	8.84"	7.03"	17.50"	18.00"	9.50"	13.07"	5.22"	0.88"	1.06"	8	21	118
45-200-PFP	8"	11.23"	9.18"	21.50"	23.00"	11.75"	14.33"	5.63"	0.88"	1.14"	8	26	174
45-250-PFP	10"	13.50"	11.22"	24.75"	27.00"	14.25"	15.31"	5.63"	1.00"	1.22"	12	32	252
45-300-PFP	12"	15.74"	13.32"	27.75"	31.00"	17.00"	16.61"	5.63"	1.00"	1.30"	12	38	378
45-400-PFP	16"	20.62"	17.51"	35.47"	42.00"	21.25"	19.35"	5.00"	1.13"	1.44"	12	51	820

