

**AMERICAN AVK RESILIENT SEATED DUCTILE IRON GATE VALVE**  
**Tested to AWWA C509 (OS&Y)**  
**IPS Grooved End according to AWWA C606 - Valve Sizes 2½" - 10"**

**45/GGO-UL**  
**IPS GRxGR**

**Use:**

For water and neutral liquids to maximum 160°F.

**Tests:**

Hydraulic test to AWWA C509:

Shell Test: 500 PSI

Seat Test: 250 PSI

Operating Torque Test

**Optional Materials:**

Wedge                      Ductile iron ASTM A536  
 encapsulated with NBR-rubber  
 compound

**Standard Materials:**

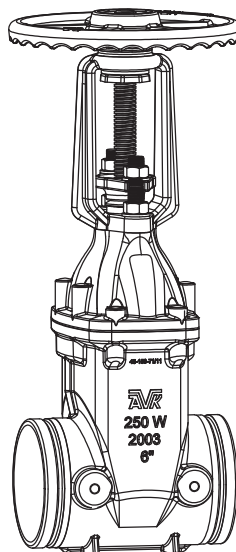
Body, Bonnet, Yoke, Gland Follower	Ductile iron ASTM A536
Handwheel	Cast iron ASTM A126 class B
Coating	Electrostatically applied fusion-bonded epoxy-resin Meets or exceeds AWWA C550
Stem	304 Stainless Steel
Anti-Friction Washer, Wedge Nut 2-piece Stem Nut	Bronze
Wedge	Ductile iron ASTM A536 encapsulated with EPDM - rubber compound.
Bonnet Bolts	Stainless Steel - 316 sealed with hot melt
Stud Bolts, Washers, Nuts	Stainless Steel - 316
Bonnet Gasket, O-rings	NBR
Gland, Gland Bushing	Akulon

**Approvals:**

\*UL/ULC Listed  
 \*FM Approved  
 Certified to: ANSI/NSF 61, ANSI/NSF 372



\* Approved at 250 PSI working pressure, 2.5"-12"  
 \* Approved at 200 PSI working pressure, 14"-16"

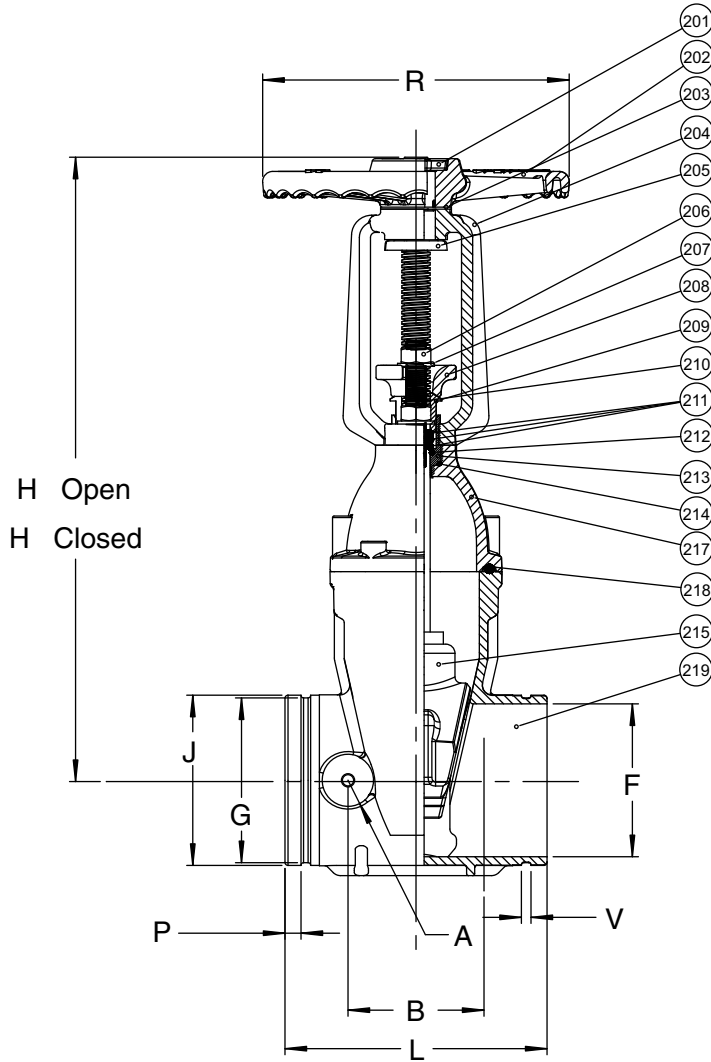


**AMERICAN AVK RESILIENT SEATED DUCTILE IRON GATE VALVE**  
**250 PSI, Tested to AWWA C509 (OS&Y)**  
**IPS Grooved End according to AWWA C606 - Valve Sizes 2½" - 10"**

**45/GGO-UL**  
**IPS GRxGR**

**Component List:**

- |                              |                                 |                           |
|------------------------------|---------------------------------|---------------------------|
| 201. Upper Stem Nut          | 207. Gland Follower/Yoke Washer | 214. Outer Bushing O-Ring |
| 202. OS&Y Handwheel          | 208. Gland Follower             | 215. OS&Y Stem Assembly   |
| 203. Anti-Friction Washer    | 209. Gland                      | 217. Bonnet               |
| 204. Yoke                    | 210. Stud Bolt                  | 218. Bonnet Gasket        |
| 205. Lower Stem Nut          | 211. Stem Seal O-Ring           | 219. Body                 |
| 206. Gland Follower/Yoke Nut | 212. Inner Bushing O-Ring       |                           |



Ref No.	Size	A	B	F	G	H		J	L	P	R	V	Turns to Weight	
						Open	Closed						Open	Lbs.
45-065-GGO-UL	2.5"	1.57"	3.74"	2.50"	2.72"	17.50"	15.00"	2.88"	8.00"	0.63"	7.00"	0.31"	20	35
45-080-GGO-UL	3"	1.57"	3.74"	3.00"	3.34"	18.63"	15.63"	3.59"	8.00"	0.63"	7.00"	0.31"	20	40
45-100-GGO-UL	4"	1.65"	4.12"	4.00"	4.33"	22.63"	18.63"	4.50"	9.00"	0.63"	10.00"	0.38"	21	56
45-150-GGO-UL	6"	1.97"	5.29"	6.00"	6.45"	31.00"	25.00"	6.62"	10.50"	0.63"	12.00"	0.38"	26	103
45-200-GGO-UL	8"	1.97"	8.00"	8.00"	8.44"	39.00"	31.00"	8.62"	11.50"	0.75"	14.00"	0.44"	35	157
45-250-GGO-UL	10"	1.97"	8.00"	10.00"	10.53"	46.80"	36.80"	10.75"	13.00"	0.75"	17.00"	0.50"	20	262

