

**AMERICAN AVK RESILIENT SEATED DUCTILE IRON GATE VALVE 45/FFN\_BRINE**  
**250 PSI, Tested to AWWA C509 / C515 (NRS)**  
**Flanged Ends to ANSI B16.1 Class 125 - Valve sizes 2.5" - 16"**  
**FLxFL**

**Use:**

For neutral brines to a maximum temperature of 70°F.  
 Contact American AVK for specific applications.

**Tests:**

Hydraulic test to AWWA C509:  
 Shell Test: 500 PSI  
 Seat Test: 250 PSI  
 Operating Torque Test

**Required Materials for Brines:**

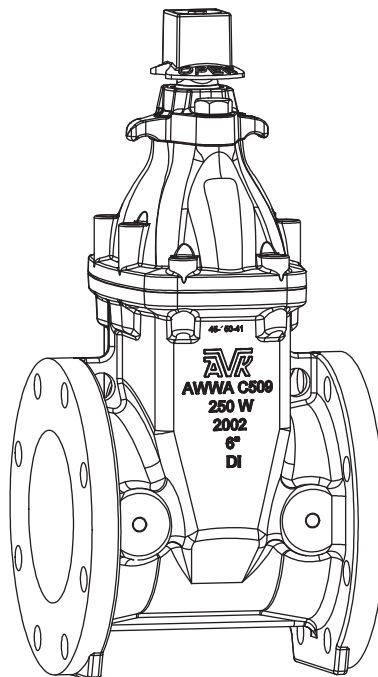
- Holiday free internal coating.
- PUR coating for buried applications
- 316 Stainless steel hardware
- Low Zinc Bronze Stem

**Optional Materials:**

Actuator Plate for gearing

**Standard Materials:**

Body, Bonnet, Gland Flange,	Ductile iron ASTM A536
Stem	Low Zinc Bronze
Wedge	Ductile iron ASTM A536 encapsulated with EPDM-rubber compound
Wrench Nut, Wedge Nut, Thrust Collar	Bronze
Bonnet Bolts	Stainless Steel - 316 sealed with hot melt
Gland Bolts	Stainless Steel - 316 Hexagon bolt
Bonnet Gasket, Wiper Ring, O-Ring Stem Seals, O-Ring Gland Seal	ASTM D2000 Buna "N" nitrile rubber

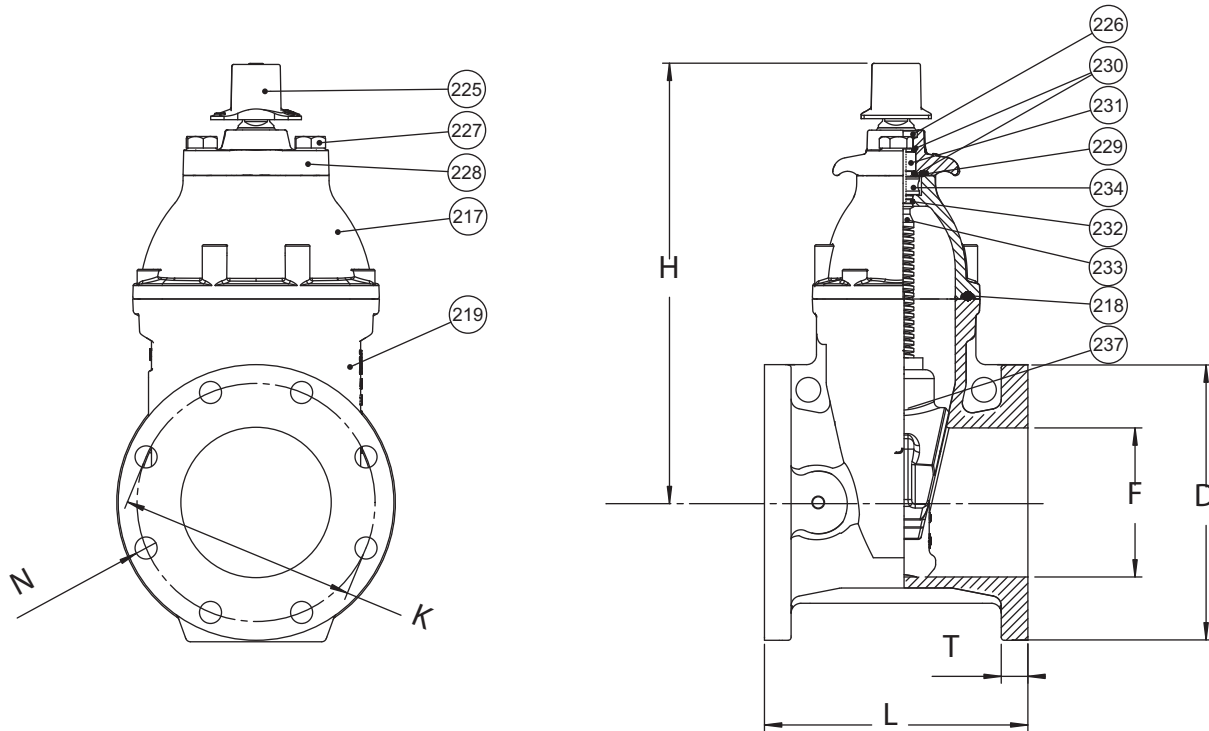


**AMERICAN AVK RESILIENT SEATED DUCTILE IRON GATE VALVE 45/FFN\_BRINE**  
**250 PSI, Tested to AWWA C509 / C515 (NRS)**  
**Flanged Ends to ANSI B 16.1 Class 125 - Valve sizes 2.5" - 16"**

**FLxFL**

**Component List:**

- |                    |                              |                             |
|--------------------|------------------------------|-----------------------------|
| 217. Bonnet        | 227. Gland Flange Bolt       | 232. Lower Stem Seal O-Ring |
| 218. Bonnet Gasket | 228. Gland Flange            | 233. NRS Stem               |
| 219. Body          | 229. Gland O-Ring            | 234. Thrust Collar          |
| 225. Wrench Nut    | 230. Upper Stem Seal O-Rings | 237. Wedge                  |
| 226. Wiper Ring    | 231. Stem Seal Bushing       |                             |



Ref No.	Size	D	F	H	K	L	N	T	Flange Holes	Turns to Open	Weight (lbs.)
45-065-FFN	2.5"	7.00"	2.50"	12.09"	5.50"	7.50"	0.75"	0.71"	4	12	38
45-080-FFN	3"	7.50"	3.00"	12.09"	6.00"	8.00"	0.75"	0.79"	4	12	42
45-100-FFN	4"	9.00"	4.00"	13.50"	7.50"	9.00"	0.75"	1.00"	8	14	63
45-150-FFN	6"	11.00"	6.00"	17.50"	9.50"	10.50"	0.88"	1.06"	8	21	97
45-200-FFN	8"	13.50"	8.00"	21.50"	11.75"	11.50"	0.88"	1.14"	8	26	154
45-250-FFN	10"	16.00"	10.00"	24.75"	14.25"	13.00"	1.00"	1.22"	12	32	269
45-300-FFN	12"	19.00"	12.00"	27.63"	17.00"	14.00"	1.00"	1.30"	12	38	409
45-350-FFN	14"	20.98"	14.00"	35.75"	18.75"	15.00"	1.13"	1.18"	12	51	620
45-400-FFN	16"	23.50"	16.00"	34.74"	21.25"	16.00"	1.13"	1.44"	16	51	790

