

**AMERICAN AVK RESILIENT SEATED DUCTILE IRON GATE VALVE**  
**250 PSI, Tested to AWWA C515 (NRS)**  
**Mechanical Joint Ends - Valve Sizes 3" - 12"**

**65/MMN-WD**  
**MJxMJ**

**Use:**  
 For water and neutral liquids to maximum 160°F.

**Tests:**  
 Hydraulic test to AWWA C515:  
 Shell Test: 500 PSI  
 Seat Test: 250 PSI  
 Operating Torque Test

**Optional Materials:**


Wedge	Ductile iron ASTM A536 encapsulated with NBR-rubber compound
-------	--


**Standard Materials:**

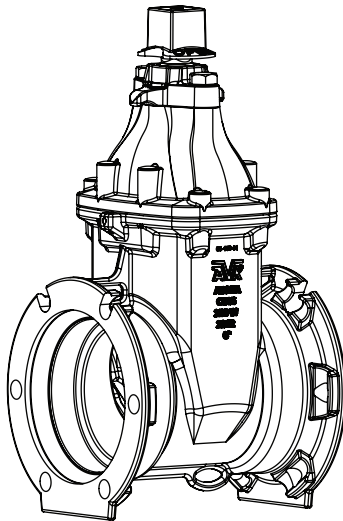
Body, Bonnet, Gland Flange, Wrench Nut	Ductile iron ASTM A536 (Wrench Nut-painted black for open left, red for open right)
Coating	Electrostatically applied fusion-bonded epoxy-resin Meets or exceeds AWWA C550
Stem	Standard: Stainless steel 430F
Wedge	Ductile iron ASTM A536 encapsulated with EPDM-rubber compound
Wedge Nut, Thrust Collar	Bronze
Bonnet Bolts	Stainless Steel - 316 sealed with hot melt
Gland Bolts	Stainless Steel - 316 Hexagon bolt
Bonnet Gasket, Wiper Ring, O-Ring Stem Seals, O-Ring Gland Seal	ASTM D2000 Buna "N" nitrile rubber

**Approvals:**

Certified to: ANSI/NSF 61, ANSI/NSF 372

  
Certified to  
NSF/ANSI 61

  
Certified to  
NSF/ANSI 372

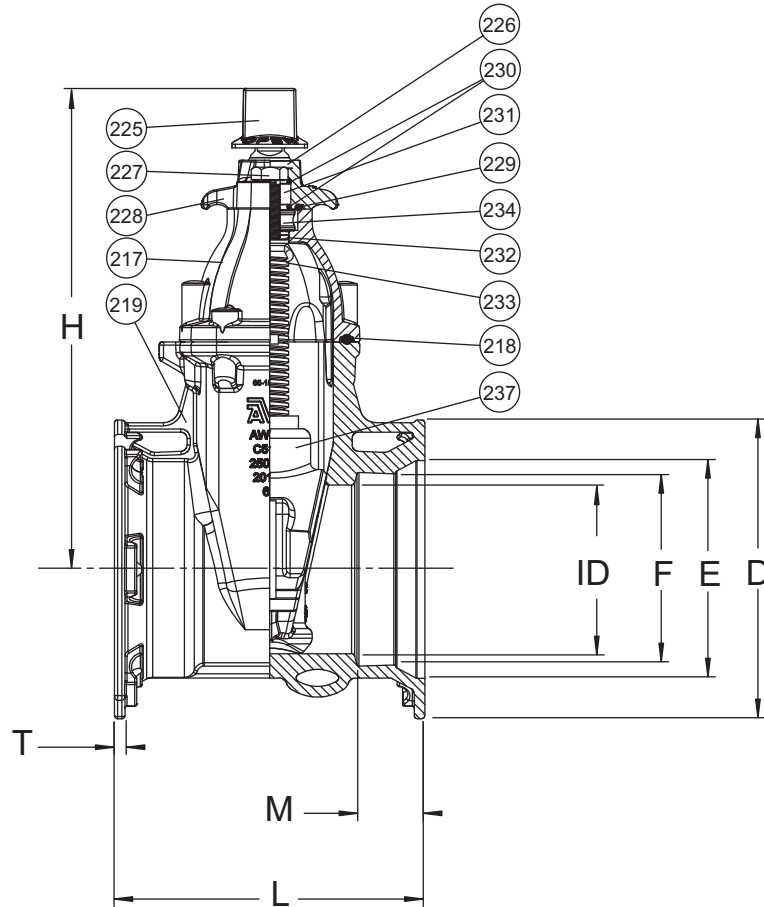


**AMERICAN AVK RESILIENT SEATED DUCTILE IRON GATE VALVE**  
**250 PSI, Tested to AWWA C515 (NRS)**  
**Mechanical Joint Ends - Valve Sizes 3" - 12"**

**65/MMN-WD**  
**MJxMJ**

**Component List:**

- |                    |                              |                             |
|--------------------|------------------------------|-----------------------------|
| 217. Bonnet        | 227. Gland Flange Bolt       | 232. Lower Stem Seal O-Ring |
| 218. Bonnet Gasket | 228. Gland Flange            | 233. NRS Stem               |
| 219. Body          | 229. Gland O-Ring            | 234. Thrust Collar          |
| 225. Wrench Nut    | 230. Upper Stem Seal O-Rings | 237. Wedge                  |
| 226. Wiper Ring    | 231. Stem Seal Bushing       |                             |



Ref No.	Size/ID	D	E	F	H	L	M	T	Turns to Open	Weight (lbs.)
65-080-MMN-WD	3"/3.13"	7.72"	4.96"	4.08"	12.30"	8.50"	2.50"	0.65"	15.5	42
65-100-MMN-WD	4"/4.25"	9.12"	6.00"	4.90"	13.82"	10.00"	2.50"	0.39"	17.5	52
65-150-MMN-WD	6"/6.25"	11.12"	8.12"	7.00"	17.86"	11.50"	2.50"	0.39"	24.5	93
65-200-MMN-WD	8"/8.25"	13.37"	10.27"	9.15"	21.83"	11.50"	2.50"	0.47"	27.5	129
65-250-MMN-WD	10"/10.25"	15.69"	12.34"	11.20"	25.06"	13.00"	2.50"	0.47"	34.5	195
65-300-MMN-WD	12"/12.25"	17.88"	14.44"	13.30"	27.97"	14.00"	2.50"	0.50"	41.5	279

