

**AVK Series 816, Concentric Butterfly Valve Class Code/ Ref. # / Breakdown**

816 - Series No.	XXXX - Size	XX - Flange Configuration	XX - Actuation	X - Opening Direction	X - Testing Pressure	X - Test Direction
	0080 - 3"	FF - FLxFL	AG - Above Ground	L - Open Left	L - 150 PSI	1 - Single
	0100 - 4"	MF - MJxFL	BG - Below Ground	R - Open Right	H - 250 PSI	2 - Bi-directional
	0150 - 6"	MM - MJxMJ	LV - Above Ground/Lever	B - Both *		
	0200 - 8"	WW - WAFER	BS - Bare Shaft			
	0250 - 10"					
	0300 - 12"					
	0350 - 14"					
	0400 - 16"					
	0450 - 18"					
	0500 - 20"					
	0600 - 24"					

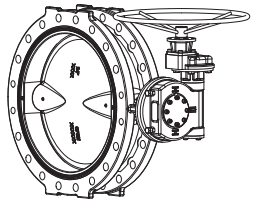
\* - Only on bare stem valves

**SERIES 816, CONCENTRIC BUTTERFLY VALVE ACRONYMS :**

- ANSI - American National Standards Institute
- ASME - American Society of Mechanical Engineers
- AWWA - American Water Works Association
- DI - Ductile Iron
- EPDM - Ethylene Propylene Diene Monomer
- FL - Flange
- MJ - Mechanical Joint
- WAF - Wafer
- FF - Flange x Flange
- MF - Mechanical Joint x Flange
- WW - Wafer

**Type**

**Series 816 FLxFL  
Rotork Gearbox  
Ductile Iron**

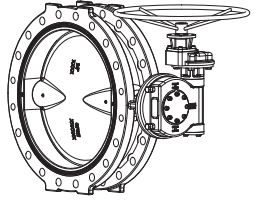


To AWWA C504  
Concentric butterfly valve,  
Vulcanized rubber liner,  
Flanged ends to  
ASME B 16.42,  
class 150  
250 PSI  
Single direction testing  
Size 3"-24"

AVK Ref. #	Size	Weight		Price US \$
		kg	lb	
816-080FFRGB-H1	3"	21	45	998
816-100FFRGB-H1	4"	26	57	1,110
816-150FFRGB-H1	6"	33	72	1,140
816-200FFRGB-H1	8"	53	116	1,460
816-250FFRGB-H1	10"	73	159	2,015
816-300FFRGB-H1	12"	95	209	2,410
816-350FFRGB-H1	14"	120	264	3,950
816-400FFRGB-H1	16"	157	346	4,690
816-450FFRGB-H1	18"	220	484	5,270
816-500FFRGB-H1	20"	259	569	7,090
816-600FFRGB-H1	24"	357	787	9,840

Specify above ground, or below ground installation when ordering

**Series 816 FLxFL  
Rotork Gearbox  
Ductile Iron**

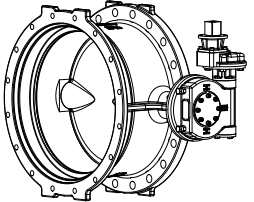


To AWWA C504  
Concentric butterfly valve,  
Vulcanized rubber liner,  
Flanged ends to  
ASME B 16.42,  
class 150  
250 PSI  
Bi-directional testing  
Size 3"-24"

816-080FFRGB-H2	3"	21	45	1,198
816-100FFRGB-H2	4"	26	57	1,332
816-150FFRGB-H2	6"	33	72	1,368
816-200FFRGB-H2	8"	53	116	1,752
816-250FFRGB-H2	10"	73	159	2,418
816-300FFRGB-H2	12"	95	209	2,892
816-350FFRGB-H2	14"	120	264	4,740
816-400FFRGB-H2	16"	157	346	5,628
816-450FFRGB-H2	18"	220	484	6,324
816-500FFRGB-H2	20"	259	569	8,508
816-600FFRGB-H2	24"	357	787	11,808

Specify above ground, or below ground installation when ordering

**Series 816 MJxFL  
Rotork Gearbox  
Ductile Iron**

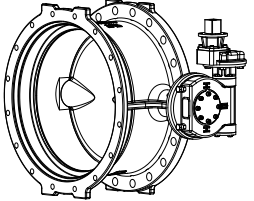


To AWWA C504  
Concentric butterfly valve,  
Vulcanized rubber liner,  
Flanged ends to  
ASME B 16.42,  
class 150  
250 PSI  
Single direction testing  
Size 6"-24"

816-150MFRGB-H1	6"	34	73	1,140
816-200MFRGB-H1	8"	53	115	1,460
816-250MFRGB-H1	10"	73	160	2,015
816-300MFRGB-H1	12"	91	200	2,410
816-350MFRGB-H1	14"	122	296	3,950
816-400MFRGB-H1	16"	164	360	4,690
816-450MFRGB-H1	18"	232	511	5,270
816-500MFRGB-H1	20"	273	601	7,090
816-600MFRGB-H1	24"	379	835	9,840

Specify above ground, or below ground installation when ordering

**Series 816 MJxFL  
Rotork Gearbox  
Ductile Iron**



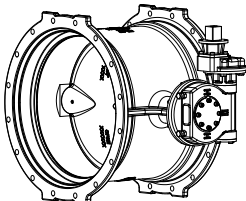
To AWWA C504  
Concentric butterfly valve,  
Vulcanized rubber liner,  
Flanged ends to  
ASME B 16.42,  
class 150  
250 PSI  
Bi-directional testing  
Size 6"-24"

816-150MFRGB-H2	6"	34	73	1,368
816-200MFRGB-H2	8"	53	115	1,752
816-250MFRGB-H2	10"	73	160	2,418
816-300MFRGB-H2	12"	91	200	2,892
816-350MFRGB-H2	14"	122	296	4,740
816-400MFRGB-H2	16"	164	360	5,628
816-450MFRGB-H2	18"	232	511	6,324
816-500MFRGB-H2	20"	273	601	8,508
816-600MFRGB-H2	24"	379	835	11,808

Specify above ground, or below ground installation when ordering

**Type**

**Series 816 MJxMJ Rotork Gearbox Ductile Iron**



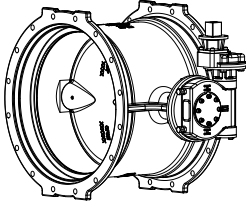
To AWWA C504  
Concentric butterfly valve,  
Vulcanized rubber liner,

250 PSI  
Single direction testing  
Size 4"-24"

AVK Ref. #	Size	Weight		Price US \$
		kg	lb	
816-100MMRGB-H1	4"	24	53	1,110
816-150MMRGB-H1	6"	33	73	1,140
816-200MMRGB-H1	8"	50	110	1,460
816-250MMRGB-H1	10"	67	148	2,015
816-300MMRGB-H1	12"	82	179	2,410
816-350MMRGB-H1	14"	119	261	3,950
816-400MMRGB-H1	16"	162	357	4,690
816-450MMRGB-H1	18"	240	528	5,270
816-500MMRGB-H1	20"	283	624	7,090
816-600MMRGB-H1	24"	395	870	9,840

Specify above ground, or below ground installation when ordering

**Series 816 MJxMJ Rotork Gearbox Ductile Iron**



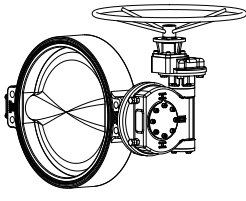
To AWWA C504  
Concentric butterfly valve,  
Vulcanized rubber liner,

250 PSI  
Bi-directional testing  
Size 4"-24"

816-100MMRGB-H2	4"	24	53	1,332
816-150MMRGB-H2	6"	33	73	1,368
816-200MMRGB-H2	8"	50	110	1,752
816-250MMRGB-H2	10"	67	148	2,418
816-300MMRGB-H2	12"	82	179	2,892
816-350MMRGB-H2	14"	119	261	4,740
816-400MMRGB-H2	16"	162	357	5,628
816-450MMRGB-H2	18"	240	528	6,324
816-500MMRGB-H2	20"	283	624	8,508
816-600MMRGB-H2	24"	395	870	11,808

Specify above ground, or below ground installation when ordering

**Series 816 Wafer Rotork Gearbox Ductile Iron**



To AWWA C504  
Concentric butterfly valve,  
Vulcanized rubber liner,

250 PSI  
Single direction testing  
Size 3"-20"

816-080WWRGB-H1	3"	15	32	1,120
816-100WWRGB-H1	4"	18	38	1,320
816-150WWRGB-H1	6"	23	49	1,360
816-200WWRGB-H1	8"	34	75	1,670
816-250WWRGB-H1	10"	46	101	2,220
816-300WWRGB-H1	12"	52	114	2,620
816-350WWRGB-H1	14"	72	157	4,150
816-400WWRGB-H1	16"	101	222	4,900
816-450WWRGB-H1	18"	155	341	5,475
816-500WWRGB-H1	20"	188	413	7,925

Specify above ground, or below ground installation when ordering

**Series 816 Wafer Rotork Gearbox Ductile Iron**

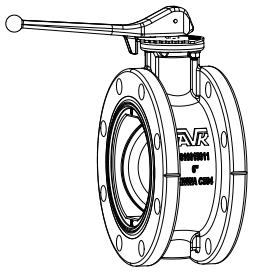
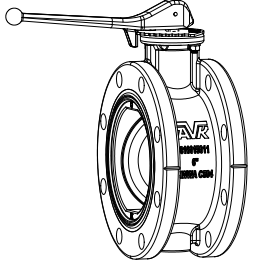
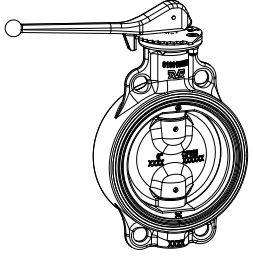
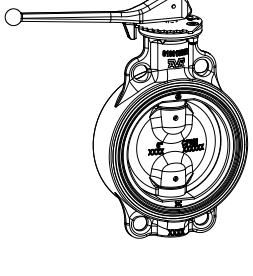


To AWWA C504  
Concentric butterfly valve,  
Vulcanized rubber liner,

250 PSI  
Bi-directional testing  
Size 3"-20"

816-080WWRGB-H2	3"	15	32	1,110
816-100WWRGB-H2	4"	18	38	1,110
816-150WWRGB-H2	6"	23	49	2,052
816-200WWRGB-H2	8"	34	75	2,628
816-250WWRGB-H2	10"	46	101	3,627
816-300WWRGB-H2	12"	52	114	4,338
816-350WWRGB-H2	14"	72	157	7,110
816-400WWRGB-H2	16"	101	222	8,442
816-450WWRGB-H2	18"	155	341	9,486
816-500WWRGB-H2	20"	188	413	12,762

Specify above ground, or below ground installation when ordering

Type	AVK Ref. #	Size	Weight		Price US \$
			kg	lb	
<p><b>Series 816 FLxFL Above Ground Lever Operated Ductile Iron</b></p> <p>To AWWA C504 Concentric butterfly valve, Vulcanized rubber liner,</p> <p>150 PSI Single direction testing Size 3"-8"</p> 	816-080FFLV-L1	3"	11	24	1,110
	816-100FFLV-L1	4"	16	35	1,110
	816-150FFLV-L1	6"	23	50	1,140
	816-200FFLV-L1	8"	38	83	1,460
	<p><b>Series 816 FLxFL Above Ground Lever Operated Ductile Iron</b></p> <p>To AWWA C504 Concentric butterfly valve, Vulcanized rubber liner,</p> <p>150 PSI Bi-directional testing Size 3"-8"</p> 	816-080FFLV-L2	3"	11	24
816-100FFLV-L2		4"	16	35	1,110
816-150FFLV-L2		6"	23	50	1,368
816-200FFLV-L2		8"	38	83	1,752
<p><b>Series 816 Wafer Above Ground Lever Operated Ductile Iron</b></p> <p>To AWWA C504 Concentric butterfly valve, Vulcanized rubber liner,</p> <p>150 PSI Single direction testing Size 3"-8"</p> 		816-080WWLV-L1	3"	5	10
	816-100WWLV-L1	4"	8	16	990
	816-150WWLV-L1	6"	13	27	1,020
	816-200WWLV-L1	8"	18	40	1,253
	<p><b>Series 816 Wafer Above Ground Lever Operated Ductile Iron</b></p> <p>To AWWA C504 Concentric butterfly valve, Vulcanized rubber liner,</p> <p>150 PSI Bi-directional testing Size 3"-8"</p> 	816-080WWLV-L2	3"	5	10
816-100WWLV-L2		4"	8	16	1,110
816-150WWLV-L2		6"	13	27	2,052
816-200WWLV-L2		8"	18	40	2,628