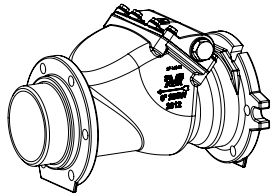


**Series 27 FlowGuard I™  
Dry Barrel Hydrant  
Check Valve**

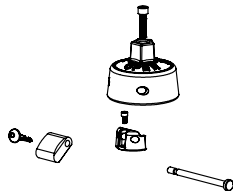


27-150-C9	For all AVK dry barrel hydrants	51	112	2,650
All adders are added to List Pricing				
For 316 Stainless Steel Bolts add \$161				
Use Check Valve Parts Discount				

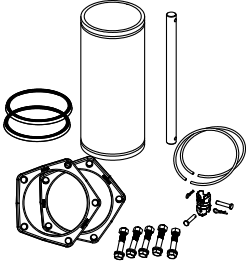
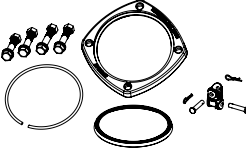
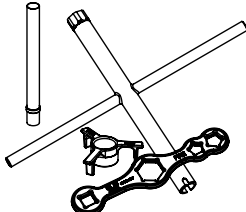
**Series 27  
Dry Barrel Hydrant Options**

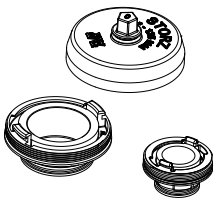
For 8" MJ shoe less accessories	add 250
For Straight Inlet	add 350
For 4" PE Inlet	add 451
For 6" PE Inlet	add 451
For 6" HYMAX GRIP® Inlet	add 300
Handwheel Kit	add 401
For Integral Storz Connection 2.5"	add 601
For Integral Storz Connection 4"	add 731
For Integral Storz Connection 5"	add 821
All adders are added to List Pricing	

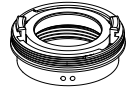
**Series 27  
Tamper Guard**



27-000-47X	Tamper Guard w/o Lock	221
27-000-47X	Tamper Guard with Lock	261
Use Fire Hydrant Parts Discount		

Type	AVK Ref. #	Size	Weight		Price																																																																		
			kg	lb	US \$																																																																		
<b>Series 27 Extension Kits</b> 	<table border="1"> <tr><td>27-150-7001-106-00</td><td>6"</td><td>9</td><td>20</td><td>620</td></tr> <tr><td>27-150-7011-106-00</td><td>12"</td><td>18</td><td>40</td><td>730</td></tr> <tr><td>27-150-7021-106-00</td><td>18"</td><td>27</td><td>60</td><td>826</td></tr> <tr><td>27-150-7031-106-00</td><td>24"</td><td>36</td><td>80</td><td>929</td></tr> <tr><td>27-150-7041-106-00</td><td>30"</td><td>45</td><td>100</td><td>1,332</td></tr> <tr><td>27-150-7051-106-00</td><td>36"</td><td>55</td><td>120</td><td>1,456</td></tr> <tr><td>27-150-7061-106-00</td><td>42"</td><td>64</td><td>140</td><td>1,589</td></tr> <tr><td>27-150-7071-106-00</td><td>48"</td><td>73</td><td>160</td><td>1,779</td></tr> <tr><td>27-150-7081-106-00</td><td>54"</td><td>82</td><td>180</td><td>1,876</td></tr> <tr><td>27-150-7091-106-00</td><td>60"</td><td>91</td><td>100</td><td>1,910</td></tr> </table> <p>All adders are added to List Pricing                      All extension kits are shipped with 304 Stainless Steel Stem.                      For 304 Stainless Steel Bolts add \$41                      For 316 Stainless Steel Bolts add \$81                      Use Fire Hydrant Parts Discount</p>	27-150-7001-106-00	6"	9	20	620	27-150-7011-106-00	12"	18	40	730	27-150-7021-106-00	18"	27	60	826	27-150-7031-106-00	24"	36	80	929	27-150-7041-106-00	30"	45	100	1,332	27-150-7051-106-00	36"	55	120	1,456	27-150-7061-106-00	42"	64	140	1,589	27-150-7071-106-00	48"	73	160	1,779	27-150-7081-106-00	54"	82	180	1,876	27-150-7091-106-00	60"	91	100	1,910																				
27-150-7001-106-00	6"	9	20	620																																																																			
27-150-7011-106-00	12"	18	40	730																																																																			
27-150-7021-106-00	18"	27	60	826																																																																			
27-150-7031-106-00	24"	36	80	929																																																																			
27-150-7041-106-00	30"	45	100	1,332																																																																			
27-150-7051-106-00	36"	55	120	1,456																																																																			
27-150-7061-106-00	42"	64	140	1,589																																																																			
27-150-7071-106-00	48"	73	160	1,779																																																																			
27-150-7081-106-00	54"	82	180	1,876																																																																			
27-150-7091-106-00	60"	91	100	1,910																																																																			
<b>Series 27 Traffic Repair Kits</b> 	<table border="1"> <tr><td>27-150-75100</td><td>For Modern 27/00</td><td>11</td><td>24</td><td>327</td></tr> <tr><td>27-150-75301</td><td>For Nostalgic 27/80</td><td>11</td><td>24</td><td>327</td></tr> </table> <p>All adders are added to List Pricing                      For Modern Hydrant Repair Kit, specify color.                      Part numbers above include zinc plated bolts. Other bolts available for additional charge.                      For 304 Stainless Steel Bolts add \$41                      For 316 Stainless Steel Bolts add \$81                      Use Fire Hydrant Parts Discount</p>	27-150-75100	For Modern 27/00	11	24	327	27-150-75301	For Nostalgic 27/80	11	24	327																																																												
27-150-75100	For Modern 27/00	11	24	327																																																																			
27-150-75301	For Nostalgic 27/80	11	24	327																																																																			
<b>Series 27 Hydrants Tools</b> 	<table border="1"> <tr><td>27-150-301-001</td><td>Seat Wrench</td><td></td><td>6</td><td>251</td></tr> <tr><td>27-150-305-001</td><td>Seat Wrench Centering Tool</td><td></td><td>2</td><td>101</td></tr> <tr><td>27-150-307-001</td><td>Operating Wrench</td><td></td><td>5</td><td>101</td></tr> <tr><td>27-150-30300</td><td>Oil Sleeve</td><td></td><td>1</td><td>161</td></tr> </table> <p>All adders are added to List Pricing                      Use Fire Hydrant Parts Discount</p>	27-150-301-001	Seat Wrench		6	251	27-150-305-001	Seat Wrench Centering Tool		2	101	27-150-307-001	Operating Wrench		5	101	27-150-30300	Oil Sleeve		1	161																																																		
27-150-301-001	Seat Wrench		6	251																																																																			
27-150-305-001	Seat Wrench Centering Tool		2	101																																																																			
27-150-307-001	Operating Wrench		5	101																																																																			
27-150-30300	Oil Sleeve		1	161																																																																			
<b>Series 27 Bolting / Stem Options</b>	<table border="1"> <tr><td colspan="5"><b>Bolting Below Ground</b></td></tr> <tr><td></td><td>304 Grade Stainless Steel</td><td></td><td></td><td>Standard</td></tr> <tr><td></td><td>316 Grade Stainless Steel</td><td></td><td></td><td>add 300</td></tr> <tr><td colspan="5"><b>Bolting Above Ground</b></td></tr> <tr><td></td><td>304 Grade Stainless Steel</td><td></td><td></td><td>add 120</td></tr> <tr><td></td><td>316 Grade Stainless Steel</td><td></td><td></td><td>add 170</td></tr> <tr><td colspan="5"><b>Bolting Above &amp; Below Ground</b></td></tr> <tr><td></td><td>304 Grade Stainless Steel</td><td></td><td></td><td>add 140</td></tr> <tr><td></td><td>316 Grade Stainless Steel</td><td></td><td></td><td>add 470</td></tr> <tr><td colspan="5"><b>Upper Stem</b></td></tr> <tr><td></td><td>316 Grade Stainless Steel</td><td></td><td></td><td>add 140</td></tr> <tr><td colspan="5"><b>Lower Stem</b></td></tr> <tr><td></td><td>304 Grade Stainless Steel</td><td></td><td></td><td>add 100 per bury foot</td></tr> <tr><td></td><td>316 Grade Stainless Steel</td><td></td><td></td><td>add 140 per bury foot</td></tr> </table> <p>All adders are added to List Pricing</p>	<b>Bolting Below Ground</b>						304 Grade Stainless Steel			Standard		316 Grade Stainless Steel			add 300	<b>Bolting Above Ground</b>						304 Grade Stainless Steel			add 120		316 Grade Stainless Steel			add 170	<b>Bolting Above &amp; Below Ground</b>						304 Grade Stainless Steel			add 140		316 Grade Stainless Steel			add 470	<b>Upper Stem</b>						316 Grade Stainless Steel			add 140	<b>Lower Stem</b>						304 Grade Stainless Steel			add 100 per bury foot		316 Grade Stainless Steel			add 140 per bury foot
<b>Bolting Below Ground</b>																																																																							
	304 Grade Stainless Steel			Standard																																																																			
	316 Grade Stainless Steel			add 300																																																																			
<b>Bolting Above Ground</b>																																																																							
	304 Grade Stainless Steel			add 120																																																																			
	316 Grade Stainless Steel			add 170																																																																			
<b>Bolting Above &amp; Below Ground</b>																																																																							
	304 Grade Stainless Steel			add 140																																																																			
	316 Grade Stainless Steel			add 470																																																																			
<b>Upper Stem</b>																																																																							
	316 Grade Stainless Steel			add 140																																																																			
<b>Lower Stem</b>																																																																							
	304 Grade Stainless Steel			add 100 per bury foot																																																																			
	316 Grade Stainless Steel			add 140 per bury foot																																																																			

Type	AVK Ref. #	Size	Weight		Price US \$
			kg	lb	
<b>Series 27 Storz Nozzles &amp; Caps</b> 					
		2.5"		Caps 181	Nozzles 601
		4"		241	731
		5"		241	821
Use Fire Hydrant Parts Discount					

Type	AVK Ref. #	Size	Weight		Price US \$
			kg	lb	
<b>Series 27 Storz Adaptors</b> 					
		4" Nozzle to 4" Storz		Caps 241	Nozzles 1,101
		4.5" Nozzle to 4" Storz		241	1,101
		4" Nozzle to 5" Storz		241	1,101
		4.5" Nozzle to 5" Storz		241	1,101
Use Fire Hydrant Parts Discount					

Type	AVK Ref. #	Size	Weight		Price US \$
			kg	lb	
<b>Optional PUR (Polyurethane) Exterior Coating Below Ground Only</b>		Bury Depth			
		3' or less			add 660
		3.5'			add 770
		4'			add 880
		4.5'			add 990
		5'			add 1,100
		5.5'			add 1,210
		6'			add 1,320
		6.5'			add 1,430
		7'			add 1,540
		7.5'			add 1,650
		8'			add 1,760
		8.5'			add 1,870
	9'			add 1,980	
	9.5'			add 2,090	
	10'			add 2,200	
All adders are added to List Pricing Note: Add \$110 per 6-inch increment for bury depths greater than 10 feet					

Type	AVK Ref. #	Size	Weight		Price US \$
			kg	lb	
<b>Epoxy Coating Interior Below Ground Only</b>		Bury Depth			
		3' or less			add 660
		3.5'			add 770
		4'			add 880
		4.5'			add 990
		5'			add 1,100
		5.5'			add 1,210
		6'			add 1,320
		6.5'			add 1,430
		7'			add 1,540
		7.5'			add 1,650
		8'			add 1,760
		8.5'			add 1,870
	9'			add 1,980	
	9.5'			add 2,090	
	10'			add 2,200	
All adders are added to List Pricing Note: Add \$110 per 6-inch increment for bury depths greater than 10 feet					