

American AVK Dry Barrel Hydrant Class Code/ Ref. # / Breakdown

27A └─ Series no.	BBB └─ Outlets	C └─ Base Size	D └─ Base Config.
M - Modern N - Nostalgic	NHH - No Pumper, 2 Hose Outlets PHH - 1 Pumper, 2 Hose Outlets PNN -1 Pumper, No Hose Outlets PPN -2 Pumper, No Hose Outlets	4 - 4 Inch 6 - 6 Inch 8 - 8 Inch	E - PE F - FL M - MJ P - PO S - Straight

SERIES 27, AWWA C502

DRY BARREL HYDRANTS

AWWA C502, DRY BARREL HYDRANTS

Type

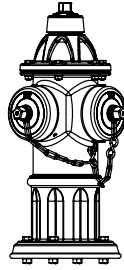
AVK Ref. #

Size

Weight
kg lb

Price
US \$

**Series 27N/PPN
(2756) Nostalgic style
Ductile iron**



To AWWA C502
UL listed
Dry barrel hydrant
2 Pumper Nozzle ONLY**
No Hose Nozzles
Standard bases available:
4" FL* or 4" MJ*
6" FL
6" MJ
6" PO

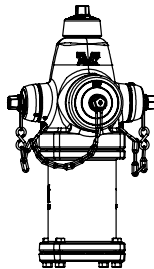
Optional bases available:
4" PE*
6" PE*
6" Straight*
6" HYMAX GRIP®*
8" MJ*
250 PSI
* Not UL/FM*
**FM does not approve hydrants
without hose nozzles

27N/PPN-01	1.5'	127	280	3,915
27N/PPN-02	2.0'	136	300	3,915
27N/PPN-03	2.5'	145	320	3,915
27N/PPN-04	3.0'	154	340	4,015
27N/PPN-05	3.5'	163	360	4,117
27N/PPN-06	4.0'	172	380	4,219
27N/PPN-07	4.5'	181	400	4,321
27N/PPN-08	5.0'	190	420	4,423
27N/PPN-09	5.5'	200	440	4,525
27N/PPN-10	6.0'	209	460	4,627
27N/PPN-11	6.5'	218	480	4,729
27N/PPN-12	7.0'	227	500	4,831
27N/PPN-13	7.5'	236	520	4,933
27N/PPN-14	8.0'	245	540	5,035
27N/PPN-15	8.5'	254	560	5,137
27N/PPN-16	9.0'	263	580	5,239
27N/PPN-17	9.5'	272	600	5,341
27N/PPN-18	10.0'	281	620	5,443
27N/PPN-19	10.5'	290	640	5,545
27N/PPN-20	11.0'	300	660	5,647
27N/PPN-21	11.5'	309	680	5,749
27N/PPN-22	12.0'	318	700	5,851

All adders are added to List Pricing

Note: Trade prices without accessories. For each 6" increase to bury depth over 12' add \$102
Add \$300 for 6" HYMAX GRIP® base

**Series 27M/PHH
(2700) Modern style
Ductile iron**



To AWWA C502
UL listed
FM approved
Dry barrel hydrant
2 Hose Nozzles
1 Pumper Nozzle
Standard bases available:
4" FL* or 4" MJ*
6" FL
6" MJ
6" PO

Optional bases available:
4" PE*
6" PE*
6" Straight*
6" HYMAX GRIP®*
8" MJ*
250 PSI
* Not UL/FM

27M/PHH-01	1.5'	127	280	4,087
27M/PHH-02	2.0'	136	300	4,087
27M/PHH-03	2.5'	145	320	4,087
27M/PHH-04	3.0'	154	340	4,189
27M/PHH-05	3.5'	163	360	4,291
27M/PHH-06	4.0'	172	380	4,393
27M/PHH-07	4.5'	181	400	4,495
27M/PHH-08	5.0'	190	420	4,597
27M/PHH-09	5.5'	200	440	4,699
27M/PHH-10	6.0'	209	460	4,801
27M/PHH-11	6.5'	218	480	4,903
27M/PHH-12	7.0'	227	500	5,005
27M/PHH-13	7.5'	236	520	5,107
27M/PHH-14	8.0'	245	540	5,209
27M/PHH-15	8.5'	254	560	5,311
27M/PHH-16	9.0'	263	580	5,413
27M/PHH-17	9.5'	272	600	5,515
27M/PHH-18	10.0'	281	620	5,617
27M/PHH-19	10.5'	290	640	5,719
27M/PHH-20	11.0'	300	660	5,821
27M/PHH-21	11.5'	309	680	5,923
27M/PHH-22	12.0'	318	700	6,025

All adders are added to List Pricing

Note: Trade prices without accessories. For each 6" increase to bury depth over 12' add \$102
Add \$300 for 6" HYMAX GRIP® base
Add \$51 for 16" Upper Barrel
Add \$102 for 22" Upper Barrel

Type

**Series 27M/PNN
(2712) Modern style
Ductile iron**



To AWWA C502
 Dry barrel hydrant
 1 Pumper Nozzle ONLY
 No Hose Nozzles
 Standard bases available:
 4" FL or 4" MJ
 6" FL
 6" MJ
 6" PO

Optional bases available:
 4" PE
 6" PE
 6" Straight
 6" HYMAX GRIP®*
 8" MJ
 250 PSI
 UL/FM do not recognize Single
 Pumper configurations

AVK Ref. #

Size

Weight

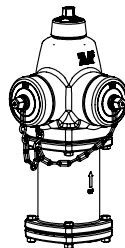
kg lb

**Price
US \$**

AVK Ref. #	Size	Weight kg	Weight lb	Price US \$
27M/PNN-01	1.5'	127	280	3,787
27M/PNN-02	2.0'	136	300	3,787
27M/PNN-03	2.5'	145	320	3,787
27M/PNN-04	3.0'	154	340	3,889
27M/PNN-05	3.5'	163	360	3,991
27M/PNN-06	4.0'	172	380	4,093
27M/PNN-07	4.5'	181	400	4,195
27M/PNN-08	5.0'	190	420	4,297
27M/PNN-09	5.5'	200	440	4,399
27M/PNN-10	6.0'	209	460	4,501
27M/PNN-11	6.5'	218	480	4,603
27M/PNN-12	7.0'	227	500	4,705
27M/PNN-13	7.5'	236	520	4,807
27M/PNN-14	8.0'	245	540	4,909
27M/PNN-15	8.5'	254	560	5,011
27M/PNN-16	9.0'	263	580	5,113
27M/PNN-17	9.5'	272	600	5,215
27M/PNN-18	10.0'	281	620	5,317
27M/PNN-19	10.5'	290	640	5,419
27M/PNN-20	11.0'	300	660	5,521
27M/PNN-21	11.5'	309	680	5,623
27M/PNN-22	12.0'	318	700	5,725

All adders are added to List Pricing
 Note: Trade prices without accessories. For each 6" increase to bury depth over 12' add \$102
 Add \$300 for 6" HYMAX GRIP® base
 Add \$51 for 16" Upper Barrel
 Add \$102 for 22" Upper Barrel

**Series 27N/PPN
(2736) Modern style
Ductile iron**



To AWWA C502
 UL listed
 Dry barrel hydrant
 2 Pumper Nozzle ONLY**
 No Hose Nozzles
 Standard bases available:
 4" FL* or 4" MJ*
 6" FL
 6" MJ
 6" PO
 6" PE

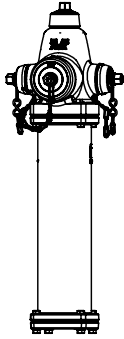
Optional bases available:
 4" PE*
 6" PE*
 6" Straight*
 6" HYMAX GRIP®*
 8" MJ*
 250 PSI
 * Not UL/FM*
 **FM does not approve hydrants
 without hose nozzles

AVK Ref. #	Size	Weight kg	Weight lb	Price US \$
27N/PPN-01	1.5'	127	280	3,915
27N/PPN-02	2.0'	136	300	3,915
27N/PPN-03	2.5'	145	320	3,915
27N/PPN-04	3.0'	154	340	4,015
27N/PPN-05	3.5'	163	360	4,117
27N/PPN-06	4.0'	172	380	4,219
27N/PPN-07	4.5'	181	400	4,321
27N/PPN-08	5.0'	190	420	4,423
27N/PPN-09	5.5'	200	440	4,525
27N/PPN-10	6.0'	209	460	4,627
27N/PPN-11	6.5'	218	480	4,729
27N/PPN-12	7.0'	227	500	4,831
27N/PPN-13	7.5'	236	520	4,933
27N/PPN-14	8.0'	245	540	5,035
27N/PPN-15	8.5'	254	560	5,137
27N/PPN-16	9.0'	263	580	5,239
27N/PPN-17	9.5'	272	600	5,341
27N/PPN-18	10.0'	281	620	5,443
27N/PPN-19	10.5'	290	640	5,545
27N/PPN-20	11.0'	300	660	5,647
27N/PPN-21	11.5'	309	680	5,749
27N/PPN-22	12.0'	318	700	5,851

All adders are added to List Pricing
 Note: Trade prices without accessories. For each 6" increase to bury depth over 12' add \$102
 Add \$300 for 6" HYMAX GRIP® base
 Add \$51 for 16" Upper Barrel
 Add \$102 for 22" Upper Barrel

Type

**Series 27M/PHH-ALP
(2730) Modern style
Ductile iron**



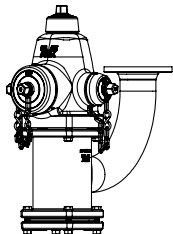
To AWWA C502
Dry barrel hydrant
2 Hose Nozzles
1 Pumper Nozzle
Extended Alpine Upper Barrel
Standard bases available:
4" FL* or 4" MJ*
6" FL
6" MJ
6" PO

Optional bases available:
4" PE*
6" PE*
6" Straight*
6" HYMAX GRIP®*
8" MJ*
250 PSI
* Not UL/FM*
**FM does not approve hydrants
without hose nozzles

AVK Ref. #	Size	Weight		Price US \$
		kg	lb	
27M/PHH-01-ALP	1.5'	127	280	4,587
27M/PHH-02-ALP	2.0'	136	300	4,587
27M/PHH-03-ALP	2.5'	145	320	4,587
27M/PHH-04-ALP	3.0'	154	340	4,689
27M/PHH-05-ALP	3.5'	163	360	4,791
27M/PHH-06-ALP	4.0'	172	380	4,893
27M/PHH-07-ALP	4.5'	181	400	4,995
27M/PHH-08-ALP	5.0'	190	420	5,097
27M/PHH-09-ALP	5.5'	200	440	5,199
27M/PHH-10-ALP	6.0'	209	460	5,301
27M/PHH-11-ALP	6.5'	218	480	5,403
27M/PHH-12-ALP	7.0'	227	500	5,505
27M/PHH-13-ALP	7.5'	236	520	5,607
27M/PHH-14-ALP	8.0'	245	540	5,709
27M/PHH-15-ALP	8.5'	254	560	5,811
27M/PHH-16-ALP	9.0'	263	580	5,913
27M/PHH-17-ALP	9.5'	272	600	6,015
27M/PHH-18-ALP	10.0'	281	620	6,117
27M/PHH-19-ALP	10.5'	290	640	6,219
27M/PHH-20-ALP	11.0'	300	660	6,321
27M/PHH-21-ALP	11.5'	309	680	6,423
27M/PHH-22-ALP	12.0'	318	700	6,525

All adders are added to List Pricing
Note: Trade prices without accessories. For each 6" increase to bury depth over 12' add \$102
Add \$300 for 6" HYMAX GRIP® base

**Series 27M/PHH
(27CA - Monitor Elbow)
Modern style
Ductile iron**



To AWWA C502
UL listed
FM approved
Dry barrel hydrant
2 Hose Nozzles
1 Pumper Nozzle
Monitor Elbow 3" or 4"
Standard bases available:
4" FL* or 4" MJ*
6" FL
6" MJ
6" PO

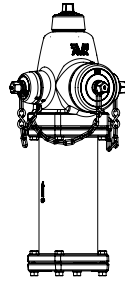
Optional bases available:
4" PE*
6" PE*
6" Straight*
6" HYMAX GRIP®*
8" MJ*
250 PSI
* Not UL/FM

27M/PHH-01	1.5'	127	280	5,487
27M/PHH-02	2.0'	136	300	5,487
27M/PHH-03	2.5'	145	320	5,487
27M/PHH-04	3.0'	154	340	5,589
27M/PHH-05	3.5'	163	360	5,691
27M/PHH-06	4.0'	172	380	5,793
27M/PHH-07	4.5'	181	400	5,895
27M/PHH-08	5.0'	190	420	5,997
27M/PHH-09	5.5'	200	440	6,099
27M/PHH-10	6.0'	209	460	6,201
27M/PHH-11	6.5'	218	480	6,303
27M/PHH-12	7.0'	227	500	6,405
27M/PHH-13	7.5'	236	520	6,507
27M/PHH-14	8.0'	245	540	6,609
27M/PHH-15	8.5'	254	560	6,711
27M/PHH-16	9.0'	263	580	6,813
27M/PHH-17	9.5'	272	600	6,915
27M/PHH-18	10.0'	281	620	7,017
27M/PHH-19	10.5'	290	640	7,119
27M/PHH-20	11.0'	300	660	7,219
27M/PHH-21	11.5'	309	680	7,321
27M/PHH-22	12.0'	318	700	7,423

All adders are added to List Pricing
Note: Trade prices without accessories. For each 6" increase to bury depth over 12' add \$102
Add \$300 for 6" HYMAX GRIP® base

Type

**Series 27M/PHH-EXT
(2702 - Extended Upper Barrel)
Modern style
Ductile iron**



To AWWA C502
UL listed
FM approved
Dry barrel hydrant
2 Hose Nozzles
1 Pumper Nozzle
Standard bases available:
4" FL* or 4" MJ*
6" FL
6" MJ
6" PO

Optional bases available:
4" PE*
6" PE*
6" Straight*
6" HYMAX GRIP®*
8" MJ*
250 PSI
* Not UL/FM

AVK Ref. #

Size

**Weight
kg lb**

**Price
US \$**

27M/PHH-01-EXT	1.5'	127	280	4,189
27M/PHH-02-EXT	2.0'	136	300	4,189
27M/PHH-03-EXT	2.5'	145	320	4,189
27M/PHH-04-EXT	3.0'	154	340	4,291
27M/PHH-05-EXT	3.5'	163	360	4,393
27M/PHH-06-EXT	4.0'	172	380	4,495
27M/PHH-07-EXT	4.5'	181	400	4,597
27M/PHH-08-EXT	5.0'	190	420	4,699
27M/PHH-09-EXT	5.5'	200	440	4,801
27M/PHH-10-EXT	6.0'	209	460	4,903
27M/PHH-11-EXT	6.5'	218	480	5,005
27M/PHH-12-EXT	7.0'	227	500	5,107
27M/PHH-13-EXT	7.5'	236	520	5,209
27M/PHH-14-EXT	8.0'	245	540	5,311
27M/PHH-15-EXT	8.5'	254	560	5,413
27M/PHH-16-EXT	9.0'	263	580	5,515
27M/PHH-17-EXT	9.5'	272	600	5,617
27M/PHH-18-EXT	10.0'	281	620	5,719
27M/PHH-19-EXT	10.5'	290	640	5,821
27M/PHH-20-EXT	11.0'	300	660	5,923
27M/PHH-21-EXT	11.5'	309	680	6,025
27M/PHH-22-EXT	12.0'	318	700	6,127

All adders are added to List Pricing

Note: Trade prices without accessories. For each 6" increase to bury depth over 12' add \$102

Add \$300 for 6" HYMAX GRIP® base