

AMERICAN AVK TELESCOPIC INDICATOR POST
 To UL 789 - to ULC CEX 1393 - To FM class number 1110
 Valve Sizes 2½" - 24"

34/0X
TELESCOPIC INDICATOR POST

Use:

Will fit any gate valve (4" - 24") with a post indicator mounting plate and a 2" square wrench nut

Optional Extras:

Stem Lengths To various bury depths

Lower barrels Ductile iron

Approvals:



UL/ULC Listed, 4" - 24"*

FM Approved, 4" - 16"

*2½"-3" not UL/ULC - FM Approved

Standard Materials:

Wrench Nut Adaptor, Ductile iron ASTM A536
 Operating Wrench,
 Post Indicator Bell,
 Indicator Head, Bonnet

Bolts, Nuts, Washers, 316 Stainless steel

Set Screw, Tension Pin,
 Circlip Ring Stainless steel

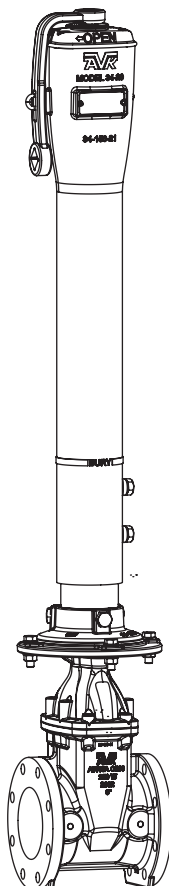
Upper, Lower Stem, Cold drawn steel

Lower Barrel PVC Pipe

Target, Operating Nut Bronze

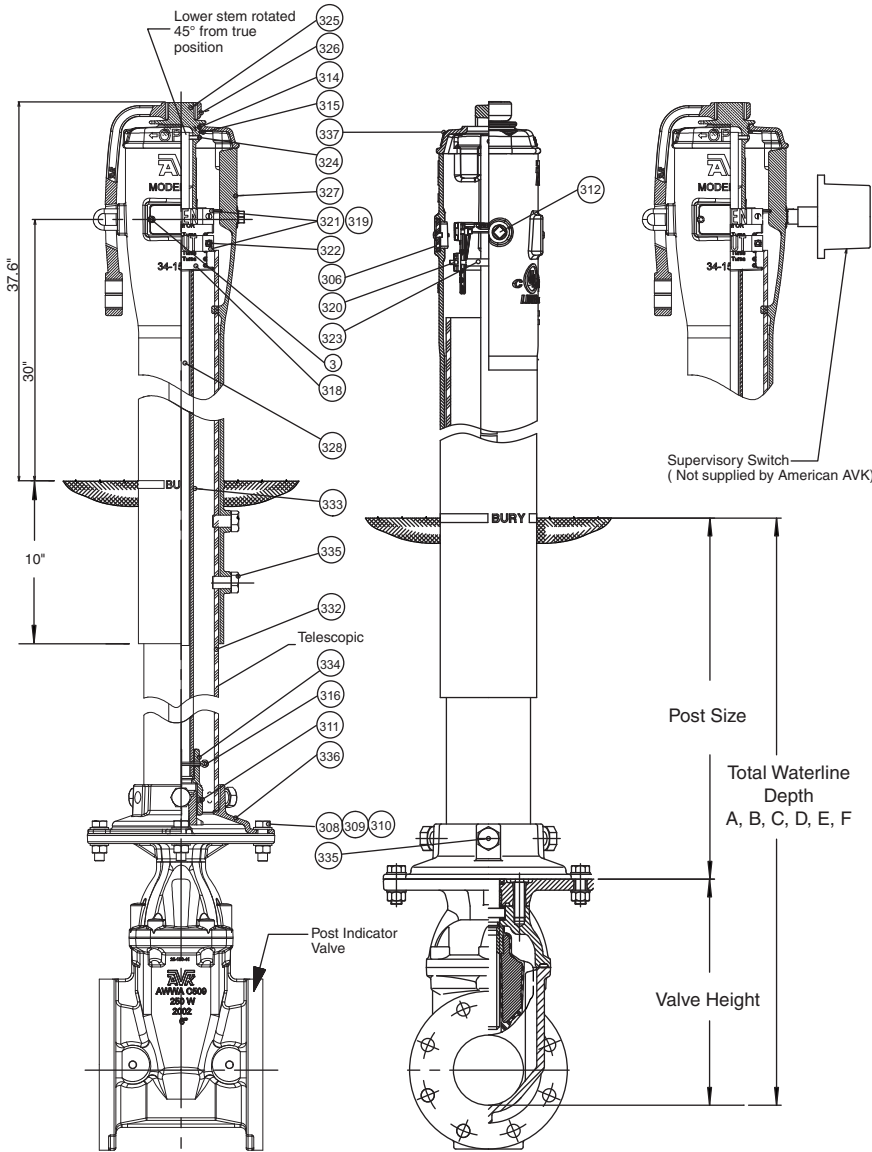
Target Sign Aluminum (painted)

Window Polycarbonate



AMERICAN AVK TELESCOPIC INDICATOR POST
 To UL 789 - to ULC CEX 1393 - To FM class number 1110
 Valve Sizes 2½" - 24"

34/0X
TELESCOPIC INDICATOR POST



Component List:

- 216. Bonnet Bolts (Not shown)
- 3. Window Screw
- 306. Window
- 308. Flange Bolt
- 309. Flange Bolt Washer
- 310. Flange Bolt Nut
- 311. Wrench Nut Adapter Set Screw
- 312. Pipe Plug
- 314. Stem Nut O-Ring
- 315. Stem Nut Snap Ring
- 316. Cotter Pin
- 318. Target
- 319. Shut Plate
- 320. Plate Nut
- 321. Open Plate
- 322. Plate Attachment Screw
- 323. Target Spacer
- 324. Upper Stem Attachment Pin (3400)
- 325. Stem Nut (3400)
- 326. Operating Wrench
- 327. Telescopic Post Head/Barrel Sect.
- 328. Telescopic Post Upper Stem
- 332. Lower Barrel
- 333. Lower Stem
- 334. Wrench Nut Adaptor (3400)
- 335. Telescopic Post Attachment Bolt
- 336. Bell Adapter
- 337. Bonnet

	Post Size (without valve)	
	min	max
Post A	20	43
Post B	42	65
Post C	64	87
Post D	86	109
Post E	104	127
Post F	126	149

Valve Size	Total Water Line Depth (To Bottom of Pipe)											
	Post A (00)		Post B (01)		Post C (02)		Post D (04)		Post E (06)		Post F (07)	
2.5"*	31	54	53	76	75	98	97	120	115	138	137	160
3"*	31	54	53	76	75	98	97	120	115	138	137	160
4"	33	56	55	78	77	100	99	122	117	140	139	162
6"	38	61	60	83	82	105	104	127	122	145	144	167
8"	43	66	65	88	87	110	109	132	127	150	149	172
10"	47	70	69	92	91	114	113	136	131	154	153	176
12"	51	74	73	96	95	118	117	140	135	158	157	180
14"	59	82	81	104	103	126	125	148	143	166	165	188
16"	62	85	84	107	106	129	128	151	146	169	168	191
18"	70	93	92	115	114	137	136	159	154	177	176	199
20"	70	93	92	115	114	137	136	159	154	177	176	199
24"	80	103	102	125	124	147	146	169	164	187	186	209

*2½"-3" not UL/ULC - FM Approved

