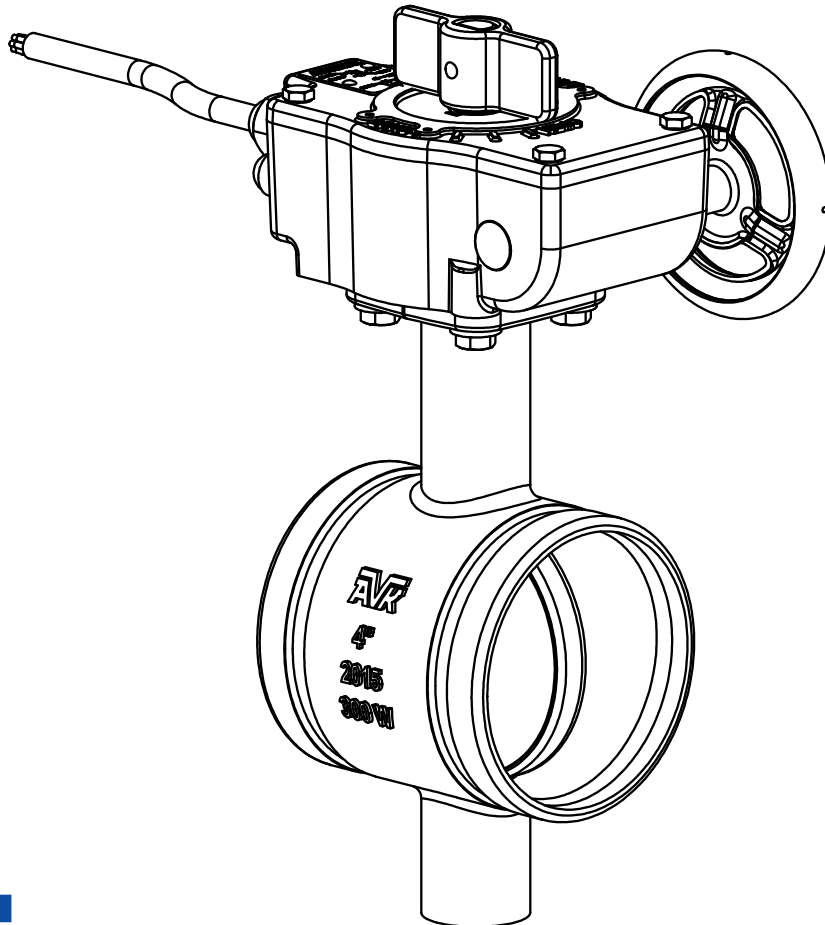


**AMERICAN AVK COMPANY**

**AVK SERIES 815 BUTTERFLY VALVE  
FIELD MAINTENANCE AND INSTRUCTION  
MANUAL FOR UL/FM APPROVED  
IPS - GROOVED END BUTTERFLY VALVES 2½" - 8"**

**TABLE OF CONTENTS**

**EXPLODED ASSEMBLY / PARTS LIST  
INTRODUCTION / DESCRIPTION  
RECEIVING AND STORAGE  
INSPECTION PRIOR TO INSTALLATION  
INSTALLATION  
MAINTENANCE  
TOOLS  
PARTS AND SERVICE  
WARRANTY**



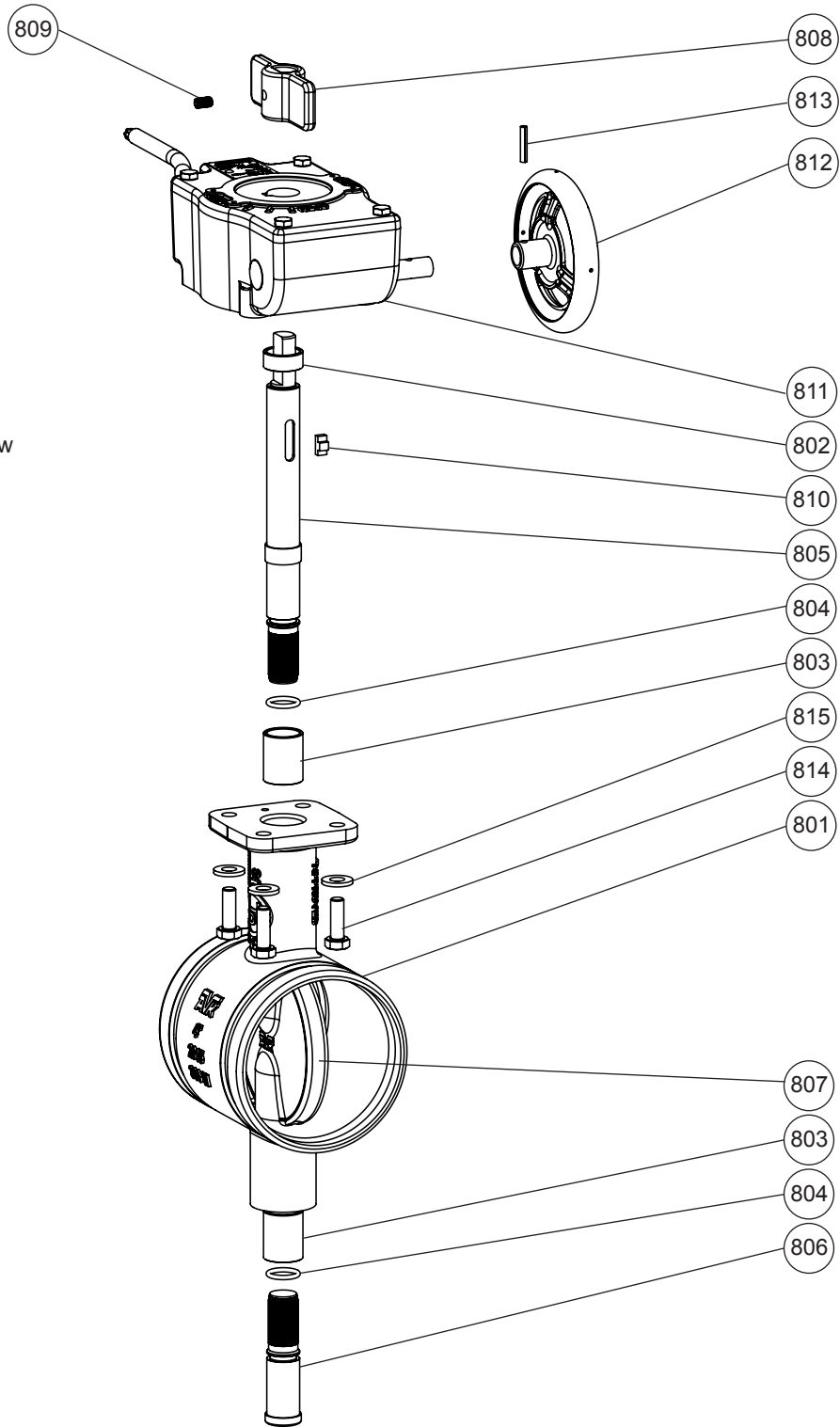
American AVK Company  
An ISO 9001 registered company

Maintenance Manual Series 815  
\*Subject to change without notice. (rev. 11/16 D)

# AVK Series 815 Grooved Butterfly Valve Exploded Parts Breakdown 2½-inch through 8-inch

Components:

- 801. Body
- 802. Short Bushing
- 803. Long Bushing
- 804. Shaft O-ring
- 805. Drive Shaft
- 806. Stub Shaft
- 807. Disc
- 808. Indicator Flag
- 809. Indicator Flag Set Screw
- 810. Shear Key
- 811. Gearbox
- 812. Hand Wheel
- 813. Hand Wheel Pin
- 814. Gearbox Bolt
- 815. Gearbox Washer



Item No.	Description	Material
801	Body	Ductile iron, ASTM A536
802	Short Bushing	Metal Composite Bearing
803	Long Bushing	Metal Composite Bearing
804	Shaft O-ring	NBR
805	Drive Shaft	431 Stainless steel
806	Stub Shaft	431 Stainless steel
807	Disc	EPDM encapsulated ductile iron disc
808	Indicator Flag	Grey iron, ASTM A126 Class B
809	Indicator Flag Set Screw	304 Stainless steel
810*	Shear Key	Aluminum
811	Gearbox	N/A
812	Hand Wheel	Mild Steel
813*	Hand Wheel Pin	304 Stainless steel
814	Gearbox Bolt	304 Stainless steel
815	Gearbox Washer	304 Stainless steel

\* AVK Series 815 Butterfly Valves are designed to be maintenance free. In a accidental instance, that the gearbox is over torqued, the Shear Key (810), or Hand Wheel Pin (813), may require replacement.

## INTRODUCTION / DESCRIPTION

The AVK Series 815 Grooved End Butterfly Valves are UL/FM approved and designed to be trouble/maintenance free, for use in Fire Protection. They have a rated working pressure of 300 PSI and are available in 2½" through 8" sizes. This manual will provide you with the information needed to properly install and maintain the valve and to ensure a long service life.

## RECEIVING AND STORAGE

Inspect valves upon receipt for damage in shipment. Unload all valves carefully to the ground without dropping. Never lift a valve by the Indicator Flag, or Gearbox electrical cord. Valves should be stored in a clean and dry area until installed to prevent weather related damage. Do not expose the discs to sunlight or ozone for any extended period of time. Store the valves with the disc in the open position. For long term storage the valves should be stored indoors.

## INSPECTION PRIOR TO INSTALLATION

Make sure all mounting surfaces and disc seats are clean and free of foreign materials. Check the Gearbox bolting to the valve for any loosening during transit. If loose, tighten the mounting hardware. Open and close the valve to verify operation and proper stop adjustments for both the open and closed positions. Check that the valve rotation direction is correct and close the valve prior to installation.

## INSTALLATION

**WARNING:** The line must be isolated, depressurized, and drained before installing/removing the valve to/from the system line. Failure to do so may cause pressure to be released resulting in severe injury or death.

**NOTE:** Before closing a fire protection system control valve for maintenance or inspection, permission to shut down the affected fire protection systems must be obtained from the proper authorities and all personnel who may be effected by this decision must be notified. Do not exceed 200 pound rim pull torque for hand wheels.

It is recommended that automatic sprinkler systems be inspected, tested, and maintained by a qualified inspection service.

Correct installation of the Series 815 Butterfly Valve is important for proper operation. It may be installed with flow in either direction and in either horizontal or vertical applications. The couplings used with Series 815 valves must be approved for fire protection service and installed in accordance with the manufacturers instructions. Series 815 valves may be installed with any schedule of pressure pipe or tubing that is listed or approved for fire protection. The Gearbox can be mounted in 90 degree alternate positions for ease of installation.

An electrical connection diagram for the Supervisory/Auxiliary Switch connection is mounted on the exterior of the gearbox. ( See Fig. 2 ) Electrical and conduit connections are to be made in accordance with the authorities having jurisdiction and/or the National Electrical Code.

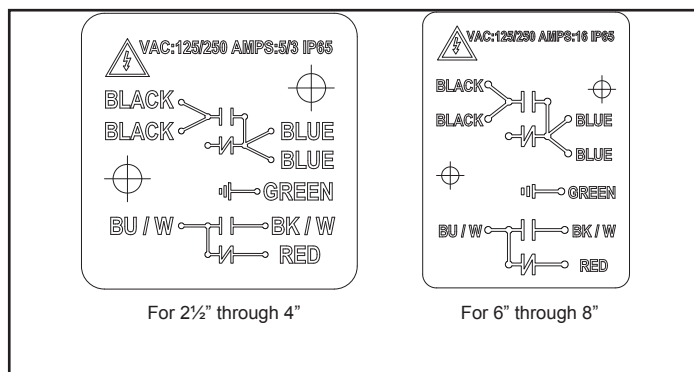


Fig. 2  
Electrical Wiring Diagram

## MAINTENANCE

The owner is responsible for the inspection, maintenance, and testing of their fire protection system and devices in accordance with the applicable standards of the National Fire Protection Association, and any other authorities having jurisdiction.

## TOOLS

The following tool requirements are for gearbox repositioning and stop adjustment. Please refer to coupling manufacturer documentation for other tool requirements.

808. Indicator Flag Set Screw	All sizes	7/64" or 3mm allen wrench
813. Gearbox Mounting Bolts	2½ - 4"	1/2" or 13mm combination wrench
813. Gearbox Mounting Bolts	6 - 8"	11/16" or 17mm combination wrench
Gearbox Stop Set Screw	2½ - 6"	5/32" or 4mm allen wrench
Gearbox Stop Set Screw	8"	3/16" or 5mm allen wrench
Gearbox Stop Jam Nut	2½ - 6"	1/2" or 13mm combination wrench
Gearbox Stop Jam Nut	8"	11/16" or 17mm combination wrench

## PARTS AND SERVICE

For information on parts and service for your area contact American AVK. Make a note of the valve model number and size located on the valve and contact:

### **American AVK Company**

2155 N. Meridian Blvd  
Minden, NV 89423  
PH: 775-552-1400  
FAX: 775-783-7502  
[www.americanavk.com](http://www.americanavk.com)

### **AMERICAN AVK COMPANY WARRANTY SERIES 815 GROOVED END BUTTERFLY VALVES**

American AVK Company warrants its Series 815 Butterfly Valves to be free from defects in workmanship and materials for a period of ten (1) year from the date of shipment from American AVK Company except as noted. American AVK Company shall have no obligation under this warranty unless it is notified of claims hereunder promptly and in writing upon discovery thereof and within the warranty period, and unless the product is delivered to American AVK Company within thirty (30) days of such notice.

American AVK shall have the right to inspect said product before it is removed from installation. If the product is removed from installation prior to approval from American AVK this warranty shall be void.

As to motors, gearing or accessory equipment purchased by American AVK Company from other manufacturers, and used or incorporated into American AVK Company's products, those manufacturers' warranties shall apply.

American AVK Company's sole responsibility shall be, in its sole discretion, to replace the product with the same or a similar product, repair the product, or refund the price paid for the product provided the product has been properly applied and used under normal service and under conditions for which it is designed. American AVK Company shall not be liable for indirect, special, incidental, or consequential damage or penalties and does not assume any liability of purchase to others or to anyone for injury to persons or property.

**THIS IS THE EXCLUSIVE WARRANTY GIVEN IN CONNECTION WITH THE SALE OF THIS PRODUCT. THERE ARE NO OTHER WARRANTIES, EXPRESSED OR IMPLIED, INCLUDING EXPRESSED OR IMPLIED WARRANTY OF MERCHANTABILITY, OR ANY EXPRESSED OR IMPLIED WARRANTY OF SUITABILITY FOR ANY PARTICULAR PURPOSE, GIVEN BY AMERICAN AVK COMPANY IN CONNECTION WITH THIS PRODUCT.**