

American AVK Series 145 Resilient Seated Gate Valve Exploded Parts Breakdown

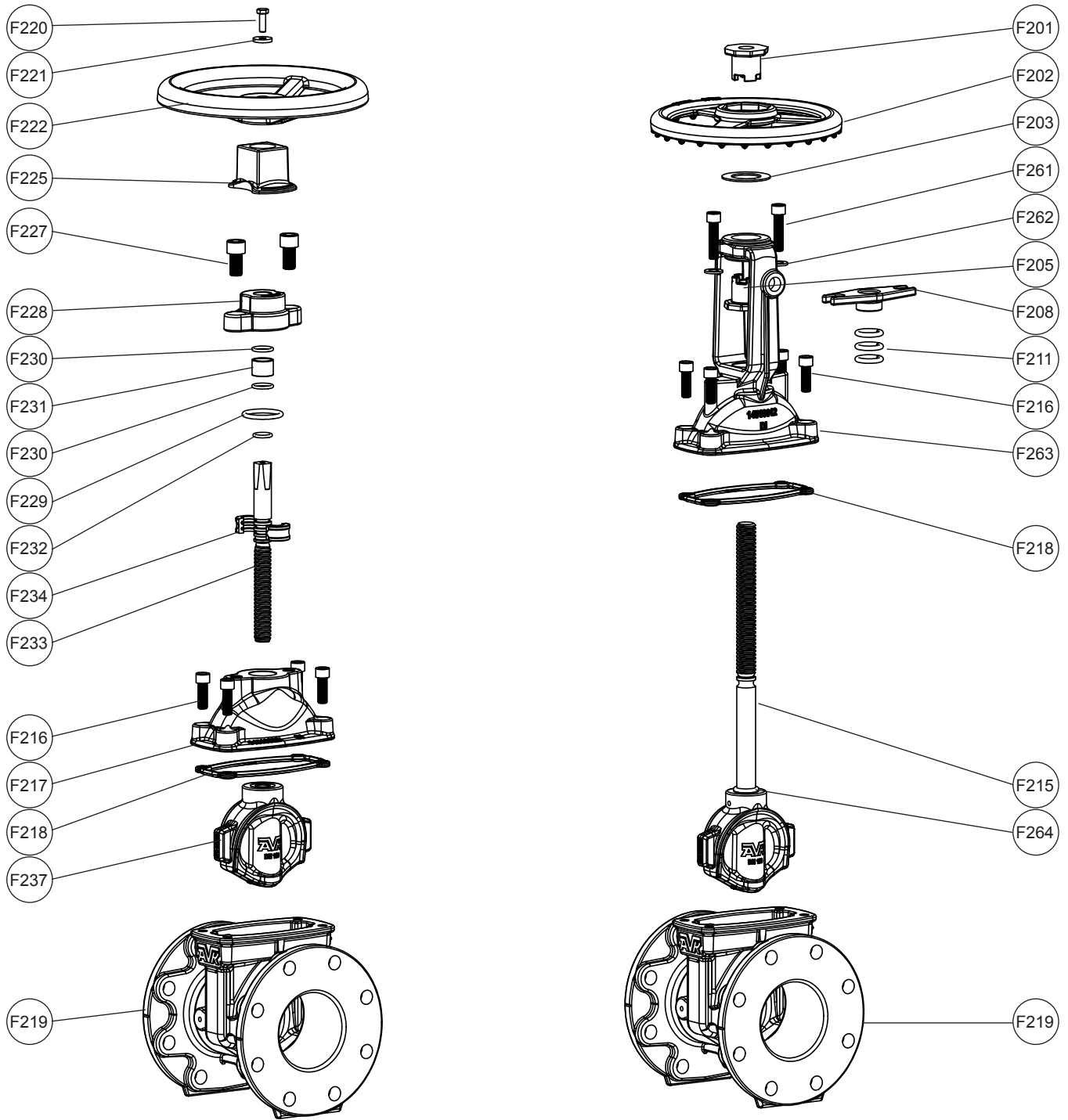


Fig. 1
page 1

Item No.	Description	Material
F201	Upper Stem Nut	Copper Alloy
F202	OS&Y Handwheel	Ductile Iron, ASTM A536
F203	Anti Friction Washer	Copper Alloy
F205	Lower Stem Nut	Copper Alloy
F208	Gland Follower	Ductile Iron, ASTM A536
F211	Stem Seal O-rings	(SBR) Styrene Butadiene Rubber
F215	OS&Y Stem Assembly Stainless Steel Stem Wedge Pin Wedge	304 Stainless Steel 304 Stainless Steel (EPDM) Ethylene-Propylene-Diene Rubber, Encapsulated Ductile Iron core with integral Nylon Wedge Shoes
F216	Bonnet Bolts	Zinc Plated Steel
F217	NRS Bonnet	Ductile Iron, ASTM A536
F218	Bonnet Gasket	(NBR) Acrylonitrile Butadiene Rubber
F219	Body (Ductile Iron)	Ductile Iron, ASTM A536
F220	Wrench Nut/Handwheel Bolt	Zinc Plated Steel
F221	Wrench Nut/Handwheel Washer	Zinc Plated Steel
F222	NRS Handwheel	Grey Iron, ASTM A126, "B"
F225	Wrench Nut	Ductile Iron, ASTM A536
F227	Gland Flange Bolt	Zinc Plated Steel
F228	Gland Flange	Ductile Iron, ASTM A536
F229	Gland O-ring	(NBR) Acrylonitrile Butadiene Rubber
F230	Upper Stem Seal O-rings	(NBR) Acrylonitrile Butadiene Rubber
F231	Stem Seal Bushing	Nylon
F232	Lower Stem Seal O-ring	(NBR) Acrylonitrile Butadiene Rubber
F233	Stainless NRS Stem	304 Stainless steel
F234	Thrust Collar	Copper Alloy
F237	NRS Wedge	(EPDM) Ethylene-Propylene-Diene Rubber, Encapsulated Ductile Iron core with integral Akulon Wedge Shoes
F261	Gland Follower Bolt	Zinc Plated Steel
F262	Gland Follower Washer	Zinc Plated Steel
F263	Bonnet/Yoke	Ductile Iron, ASTM A536
F264	OS&Y Stem Seal O-ring	(NBR) Acrylonitrile Butadiene Rubber