

**AMERICAN AVK RESILIENT SEATED GATE VALVE**  
**250 PSI, Tested to AWWA C515 (NRS)**  
**Flanged Ends to ASME B16.42 Class 150 - Valve Size 36"**

**55/FFN36**  
**FLxFL BYPASS**

**Use:**

For water and neutral liquids to maximum 160°F.

**Tests:**

Hydraulic test to AWWA C515:

Shell Test: 500 PSI

Seat Test: 250 PSI

Operating Torque Test

**Optional Materials:**

Stem Bronze

Bonnet Bolts Stainless Steel - 316  
 bolt sealed with hot melt

Gland Bolts, Stainless Steel - 316

**Options:**

Handwheel, Electric Actuator, Bevel Gear, Spur Gear

**Approvals:**

Certified to: ANSI/NSF 61, ANSI/NSF 372



**Standard Materials:**

Body, Bonnet, Ductile iron ASTM A536  
 Gland Flange, Elbow

Coating Electrostatically applied fusion-bonded epoxy-resin  
 Meets or exceeds AWWA C550

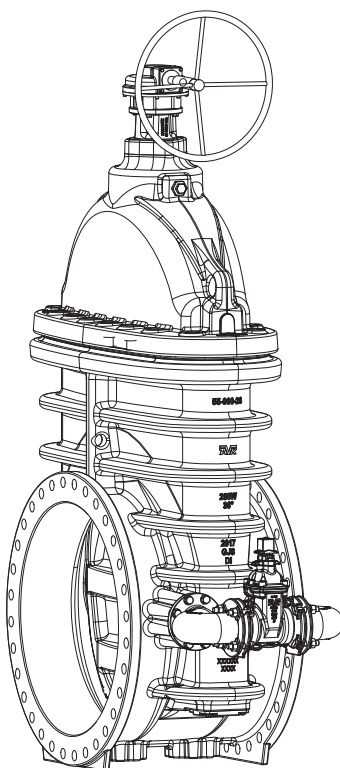
Stem Standard: Stainless steel ASTM A276

Wedge Ductile iron ASTM A536  
 encapsulated with EPDM-rubber compound

Wedge Nut, Bronze  
 Thrust Collar

Bonnet Bolts, Stainless Steel -304 sealed with hot  
 Gland Bolts melt

Bonnet Gasket, ASTM D2000 Buna "N" nitrile  
 Wiper Ring, rubber  
 O-Ring Stem Seals,  
 O-Ring Gland Seal

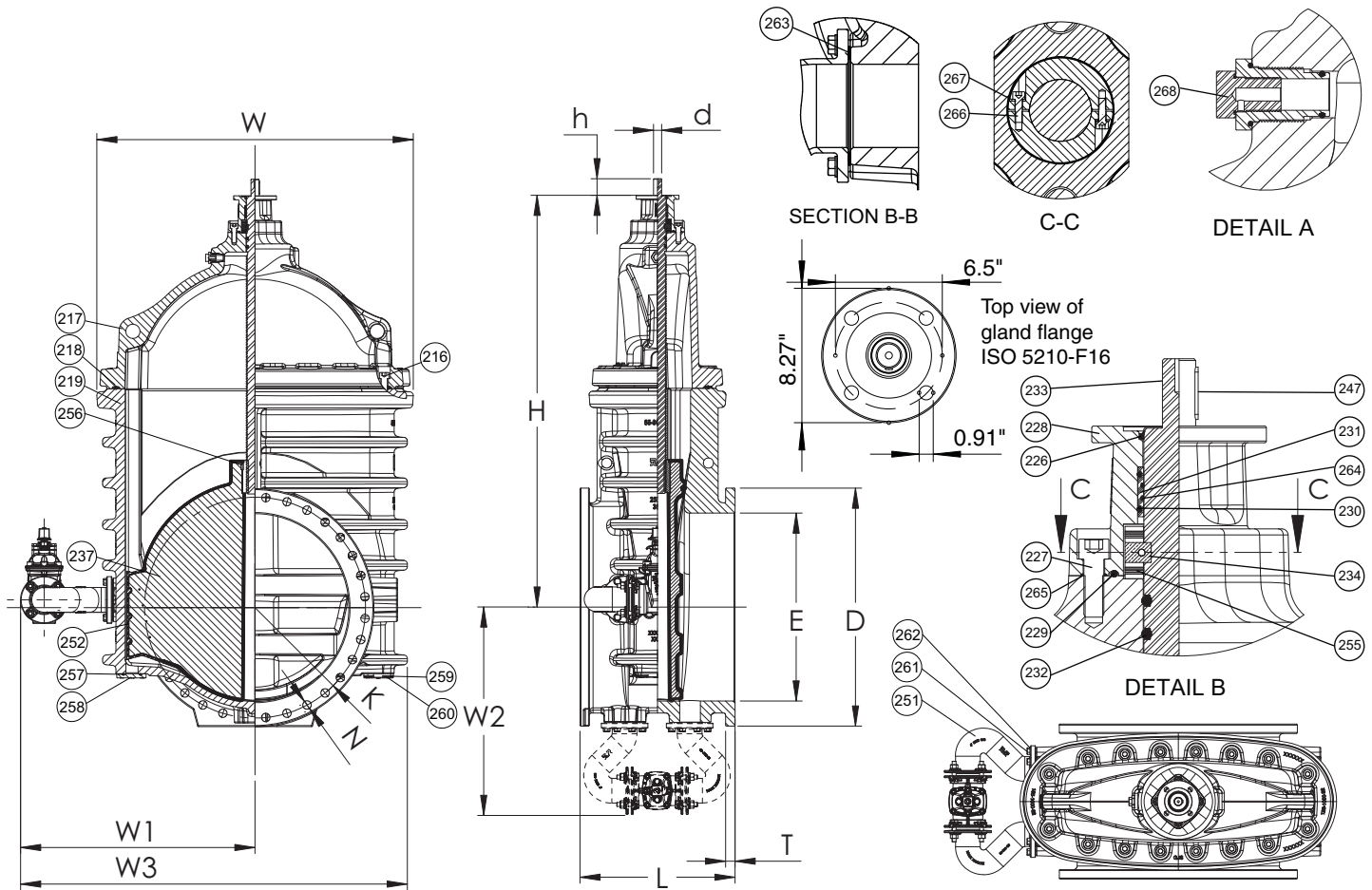


**AMERICAN AVK RESILIENT SEATED GATE VALVE**  
**250 PSI, Tested to AWWA C515 (NRS)**  
**Flanged Ends to ASME B16.42 Class 150 - Valve Size 36"**

**55/FFN36**  
**FLxFL BYPASS**

**Component List:**

- |                              |                         |  |
|------------------------------|-------------------------|--|
| 216. Bonnet Bolts            | 233. Stem Rod           | 260. Cover Plate Bolt                              |
| 217. Bonnet                  | 234. Thrust Collar      | 261. Elbow Bolt                                    |
| 218. Bonnet Gasket           | 237. Wedge              | 262. Elbow Washer                                  |
| 219. Body                    | 247. Key                | 263. Elbow Gasket                                  |
| 226. Wiper Ring              | 251. Elbow              | 264. Upper Stem Seal O-Rings<br>( 36 Inch Valves ) |
| 227. Gland Flange Bolt       | 252. Shoe               | 265. Gland Bolt O-ring                             |
| 228. Gland Flange            | 255. Stem Bearing       | 266. Thrust Collar Bolt                            |
| 229. Gland O-Ring            | 256. Wedge Slotted Pin  | 267. Thrust Collar Washer                          |
| 230. Upper Stem Seal O-Rings | 257. Cover Plate O-ring | 268. Air Bleeder Fittings                          |
| 231. Stem Seal Bushing       | 258. Cover Plate        |  |
| 232. Lower Stem Seal O-Ring  | 259. Cover Plate Washer |  |



Ref. nos	Size	D	E	d	H	h	K	L	N	T	W	W1	W2	W3	FL-Holes	Turns	Wt.
55-900-FFN-BP	36"	46.00"	36.37"	2.00"	79.70"	4.00"	42.75"	30.00"	1.63"	1.83"	61.34"	45.27"	41.61"	75.88"	24	70	8500

Add 86 Lbs. for bevel gearing w/ handwheel, add 120 Lbs. for spur gearing w/ handwheel  
 See Bevel & Spur Gearing datasheets for overall dimensions

